



# RIVETNUT TECHNOLOGY SYSTEMS LIMITED

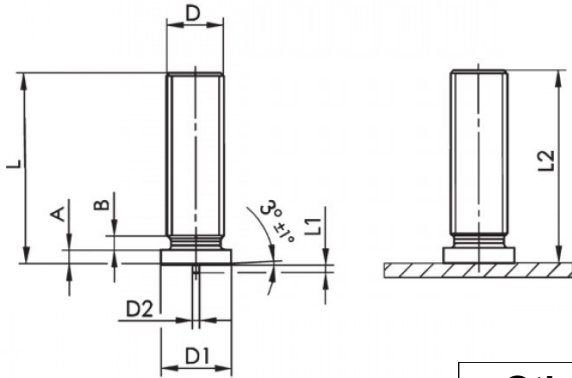
# TECHNICAL DATA SHEET

DIN EN ISO 13918  
**PT**

## WSC IN STEEL

Capacitor discharge studs with external thread

All dimensions in mm  
Material: Steel  
Finish: Copper Plated



R.T.S. SALES LINE  
**01296 330331**

Other sizes are available upon request

D	L +0.6	D1 +/- 0.2	D2 +/-0.08	L1 +/-0.5	A	B max	L2	PART NUMBER
M3	6 10 15 20 30 40	4.4	0.6	0.55	1.4 - 0.7	1.5	L - 0.3	WSC-03006-FI WSC-03010-FI WSC-03015-FI WSC-03020-FI WSC-03030-FI WSC-03040-FI
M4	8 12 15 20 30 40	5.5	0.65	0.55	1.4 - 0.7	1.5	L - 0.3	WSC-04008-FI WSC-04012-FI WSC-04015-FI WSC-04020-FI WSC-04030-FI WSC-04040-FI
M5	10 15 20 25 30	6.5	0.75	0.8	1.4 - 0.7	2	L - 0.3	WSC05010-FI WSC-05015-FI WSC-05020-FI WSC-05025-FI WSC-05030-FI
M6	10 12 15 20 30 40	7.5	0.75	0.8	1.4 - 0.7	2	L - 0.3	WSC-06010-FI WSC-06012-FI WSC-06015-FI WSC-06020-FI WSC-06030-FI WSC-06040-FI
M8	12 15 20 30 40 50	9	0.75	0.85	1.4 - 0.7	3	L - 0.3	WSC-08012-FI WSC-08015-FI WSC-08020-FI WSC-08030-FI WSC-08040-FI WSC-08050-FI

For additional information and technical support please contact R.T.S. technical sales department . R.T.S. reserve the right to change specifications at any time . Information given is for guidance only and should not be used for specific design criteria without reference to our application engineers.