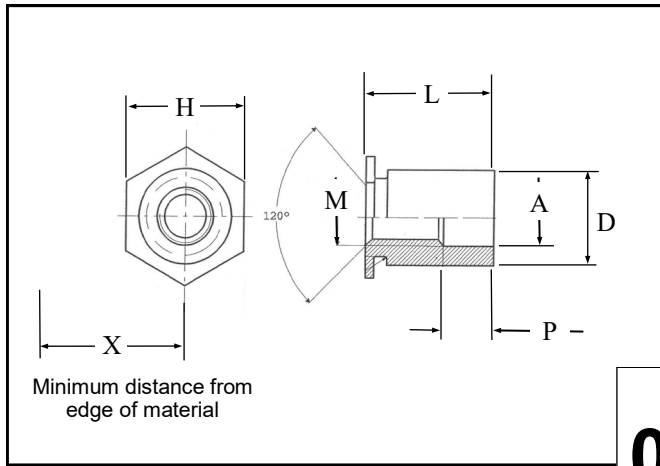


SOOS-TYPE COM IN STEEL



Standoff open Captive Nut in steel for thin sheet material

All dimensions in mm
Material :- Steel 11 MnPb37
Finish :- Zinc B/Fe Cr3

R.T.S. SALES LINE
01296 330331

THREAD SIZE "M"	HOLE SIZE +0.10	BODY "D"	HEAD "H"	Ø A	MIN MAT "E"	MIN DIST "X"	PART NUMBER
M3 x 0.50	4.20	4.20	5.00	3.20	1.00	6.00	SOOS-03**-COM1
M3 x 0.50	5.40	5.40	7.00	4.00	1.00	7.00	SOOS-03**-COM2
M4 x 0.70	7.20	7.10	8.00	4.80	1.30	8.00	SOOS-04**-COM
M5 x 0.80	7.20	7.10	8.00	5.20	1.30	8.00	SOOS-05**-COM

THREAD SIZE "M"	ADD STANDARD AVAILABLE LENGTHS TO PART NUMBER **									
M3 x 0.50	04	06	08	10	12	14	16	18	20	22
M3 x 0.50	04	06	08	10	12	14	16	18	20	22
M4 x 0.70	04	06	08	10	12	14	16	18	20	22
M5 x 0.80	04	06	08	10	12	14	16	18	20	22
P	0.00	0.00	0.00	4.00	4.00	4.00	8.00	8.00	8.00	12.00

For additional information and technical support please contact R.T.S. technical sales department . R.T.S. reserve the right to change specifications at any time . Information given is for guidance only and should not be used for specific design criteria without reference to our application engineers.