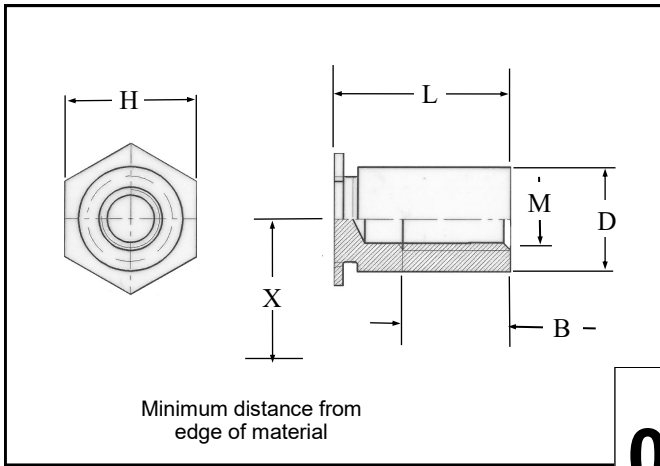


SOCI-TYPE CBM IN STAINLESS STEEL



Standoff closed end Captive Nut
in Stainless steel for
thin sheet material

All dimensions in mm
Material :- Stainless steel 303/F00
Finish :- Passivated

R.T.S. SALES LINE
01296 330331

THREAD SIZE "M"	HOLE SIZE +0.10	BODY "D"	HEAD "H"	MIN MAT "E"	MIN DIST "X"	PART NUMBER
M3 x 0.50	4.20	4.20	5.00	1.00	6.00	SOCI-03**-CBM1
M3 x 0.50	5.40	5.40	7.00	1.00	7.00	SOCI-03**-CBM2
M4 x 0.70	7.20	7.10	8.00	1.30	8.00	SOCI-04**-CBM
M5 x 0.80	7.20	7.10	8.00	1.30	8.00	SOCI-05**-CBM

THREAD SIZE "A"	ADD STANDARD AVAILABLE LENGTHS TO PART NUMBER **								
	M3 x 0.50	08	10	12	14	16	18	20	22
M3 x 0.50	08	10	12	14	16	18	20	22	
M4 x 0.70	08	10	12	14	16	18	20	22	
M5 x 0.80	08	10	12	14	16	18	20	22	
Thread length Min "B"	4.00	4.00	5.00	6.50	6.50	9.50	9.50	9.50	

For additional information and technical support please contact R.T.S. technical sales department . R.T.S. reserve the right to change specifications at any time . Information given is for guidance only and should not be used for specific design criteria without reference to our application engineers.