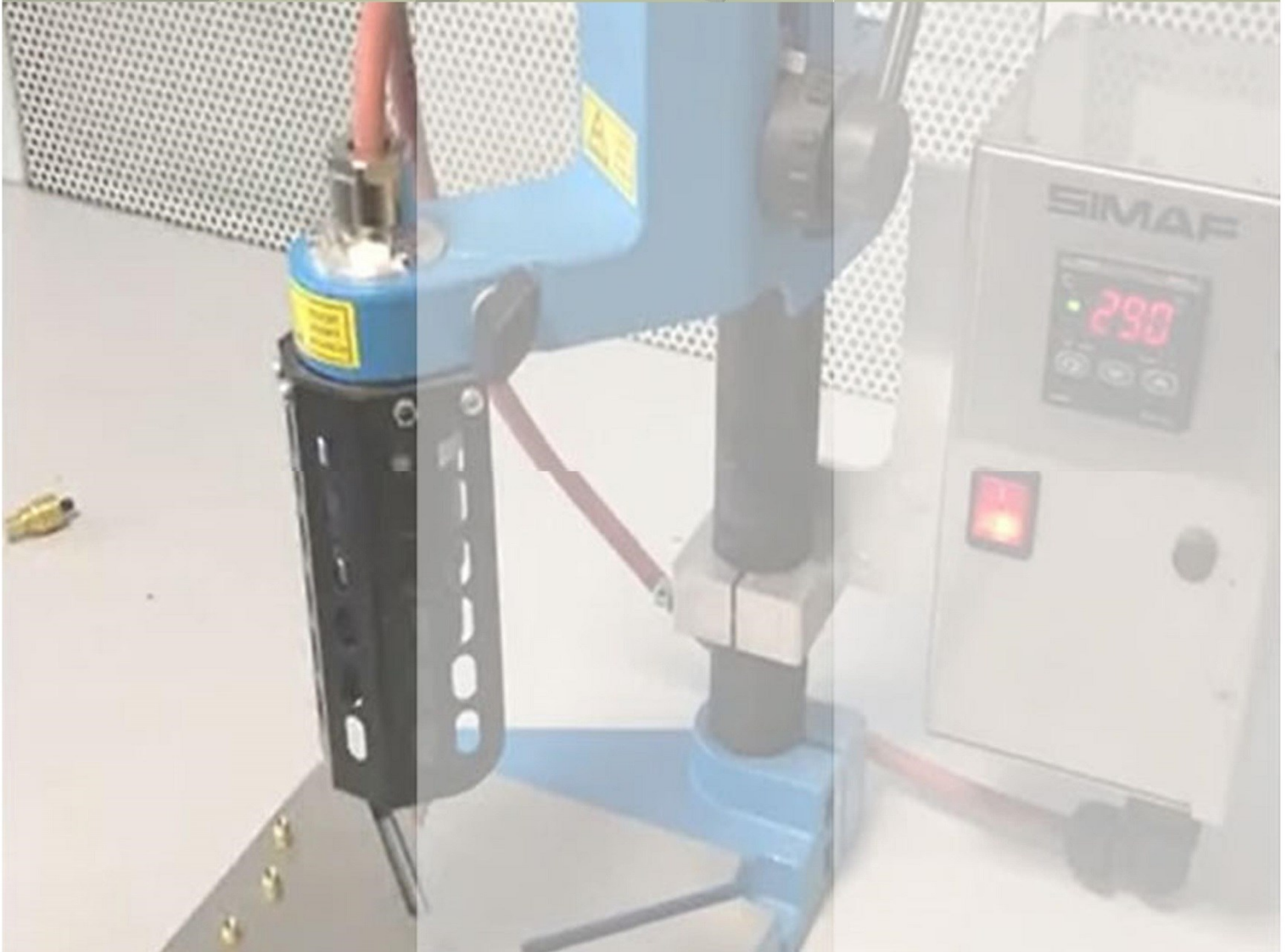
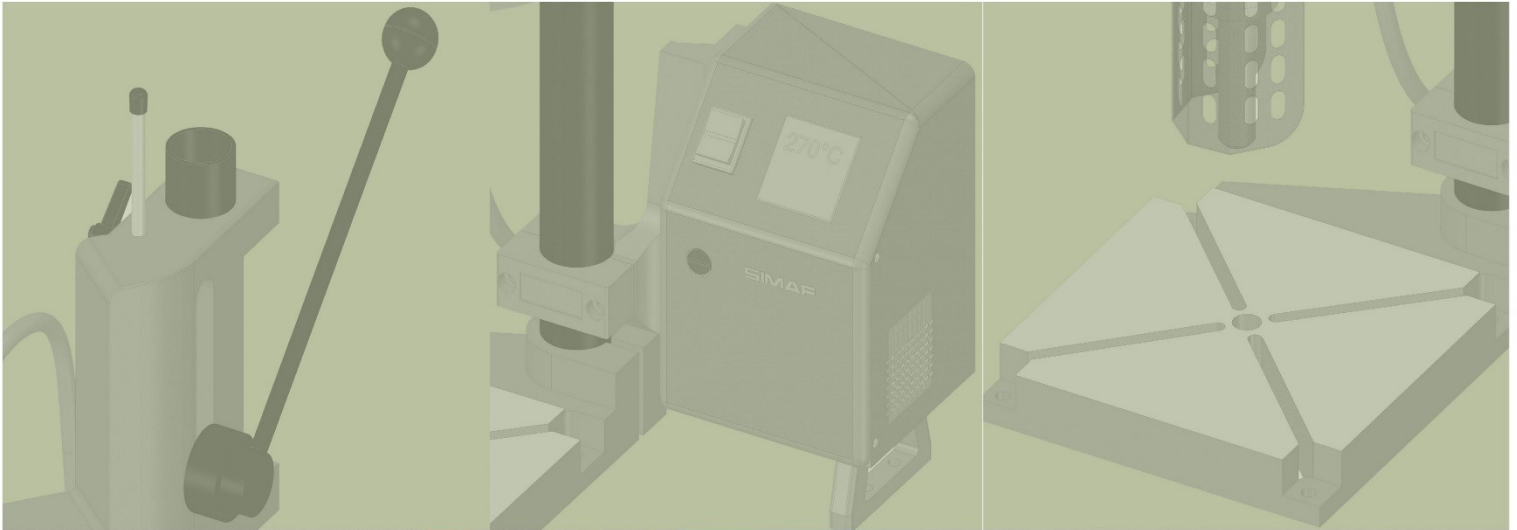




# Thermal Insertion



# What is Thermal Insertion?

Thermal Insertion is defined by any fixing that can be heated up and as it is heated it melts the composite or plastic product while the insert is pressed into the pre made hole. The material will mould around the fixing and cool down to hold it in place.

The advantages of this are no stress fractures from expansion. Stronger than using glue or force alone, the joint is as strong as the surrounding material. No long curing times, no messy glue.

The SER2015 model in this brochure is made by the SIMAF group in the EU and conforms to all the safety guidelines and certification.

The complete unit is available from stock and comes complete with a single thermal head or nose piece. Working on 230v 50hz it is a plug and play model.

The heating element and control box manage the thermal output to maintain a constant heat during its application. This results in no variations of consistency, placement into the material.

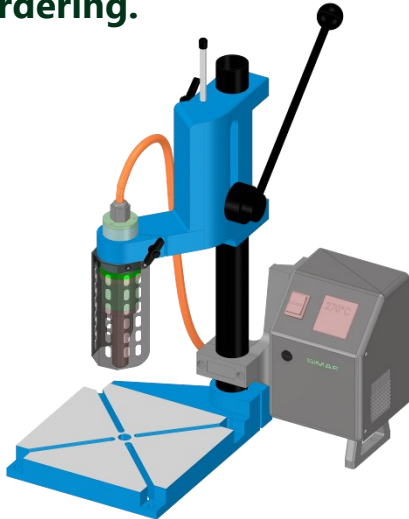
## Need a Demo?

Please contact us for a no obligation demonstration and quote.



# 48/SER2015 - Complete unit

Comes complete with one nose piece, please indicate required size when ordering.



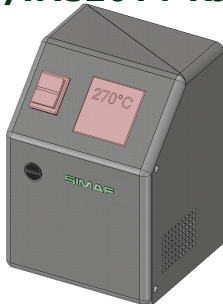
## Consumables and replacement parts

### Thermal heads (Nose pieces)

M2	30/INSTH020	M6	30/INSTH060
M2.5	30/INSTH025	M8	30/INSTH080
M3	30/INSTH030	M10	30/INSTH100
M4	30/INSTH040		
M5	30/INSTH050		

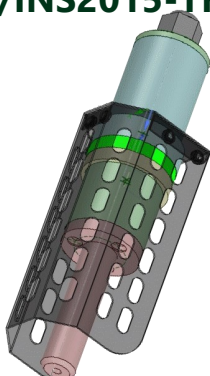
### Control unit

30/INS2014-RJ

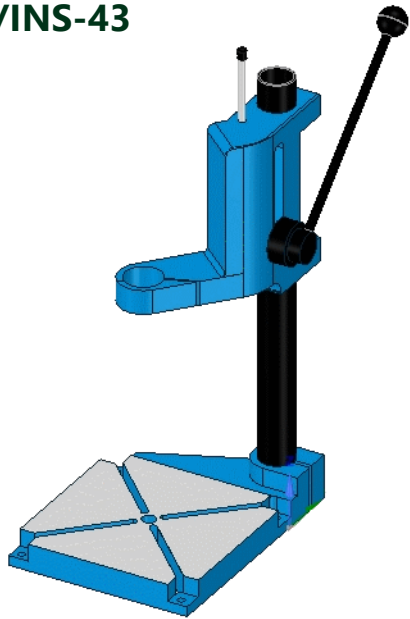


### Heating head with shield

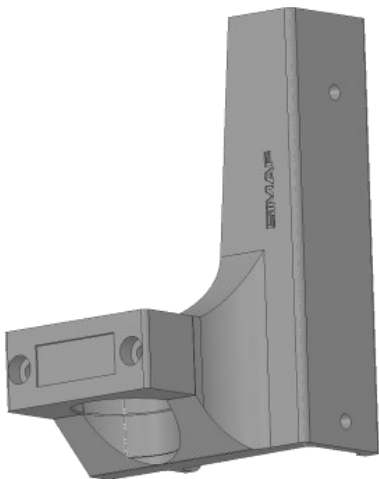
30/INS2015-TH (-F43)



**Stand for Heating head**  
**30/INS-43**

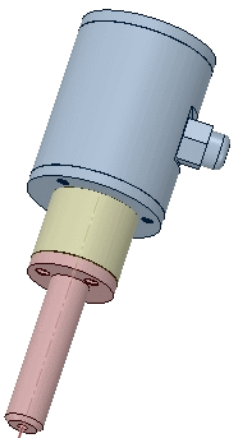


**Holder for fixing control unit on the**  
**stand 30/INS-43 (above)**



**Heating Head (Excluding shield)**

**30/INS2014-TH**





Rivetnut Technology Systems Ltd

01296 330331

[info@rivetnut.co.uk](mailto:info@rivetnut.co.uk)

Unit 5 Bridgegate Business Park

Gatehouse Way

Aylesbury

Buckinghamshire

HP19 8XN

Website: [rivetnut.co.uk](http://rivetnut.co.uk)