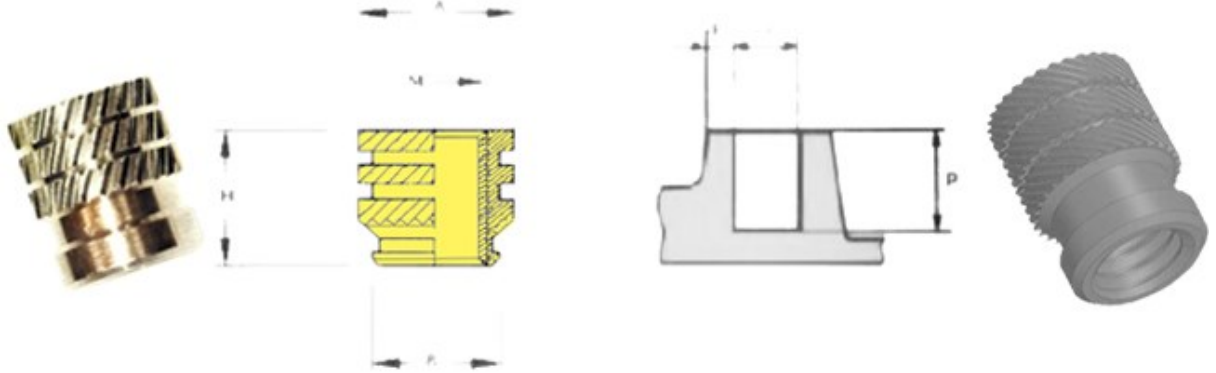


SC INSERT, SINGLE STRIPE



Insertion by THERMIC or ULTRASONIC process Single Stripe – SC

All dimensions in mm
Material :- BRASS

THREAD SIZE	LENGTH				PART NUMBER	
	M	H	A	B		d
M2		4.1	3.3	3	3.1	40/SC020H041
M2.5		5.3	4.2	3.7	3.8	40/SC025H053
M3		5.3	4.2	3.7	3.8	40/SC030H053
M3.5		6.3	5	4.5	4.6	40/SC035H063
M4		7.4	5.8	5.3	5.4	40/SC040H074
M5		8.3	6.6	6.1	6.2	40/SC050H083
M6		9.2	8.2	7.7	7.8	40/SC060H092
M8		9.2	9.7	9.3	9.4	40/SC080H092

R.T.S. SALES LINE
01296 330331



For additional information and technical support please contact R.T.S. technical sales department . R.T.S. reserve the right to change specifications at any time . Information given is for guidance only and should not be used for specific design criteria without reference to our application engineers.