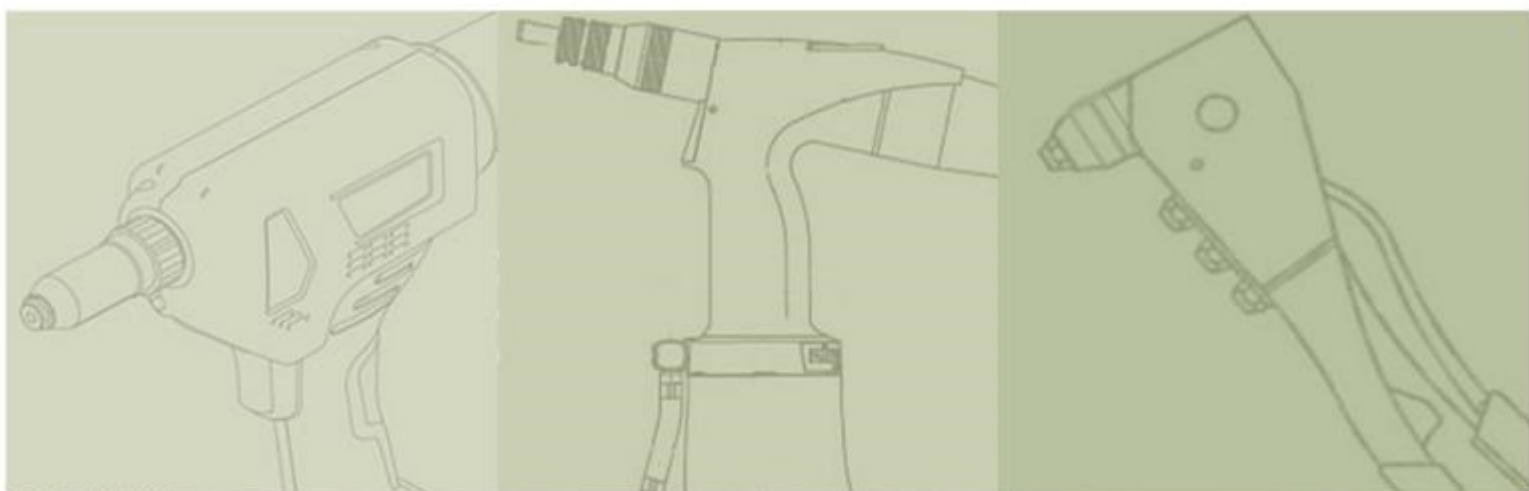




Tooling



Summary

Rivetnut Tools	Page
Battery Powered Rivetnut Tools	
SIMAF SER3600ELEC	3
SIMAF SER3700ELEC	3
Pneumatic Rivetnut Tools	
Airpower AP4	4
Airpower AP5	4
Avdel 74200	5
Avdel XTN20	6
Lobster N1A2	7
Manual Tools for Rivetnuts	
SIMAF 48/SER72M	8
RTS 03ASN12PT	8
Lobster HND-005	9
FAR KJ Range	10

Rivet Tools	Page
Battery Powered Rivet Tools	
SIMAF SER149ELEC	11
SIMAF SER159ELEC	11
Pneumatic Rivet Tools	
Airpower AP1	12
Airpower AP2	12
Airpower AP3	13
Lobster R1A1	14
Manual for Rivets	
Lobster HR-002-D	15
Lobster HR-200	15





SER3600ELEC / SER3700ELEC



Battery Powered Rivetnut Tool



SER3600ELEC



SER3700ELEC

The SER3600ELEC Rivetnut tool has been designed to cover M3-M8 range. Utilising an 18v brushless motor it is reliable and durable. Supplied in a robust case for use in factory and onsite applications. Quick and easy set-up. Equipped with two batteries, a charger and a selection of sized pull rods and nosecones.

Material application: All materials and specifications of round shank, semi and full hexagonal rivetnuts.

Weight: 1.5kg (inc battery)

Capacity: M3-M8 Aluminum, Steel & Stainless Steel rivetnuts

Stroke: 6mm (Adjustable)

Traction power: 18'000 N

Accessories included: M3-M8 adaptor sets

Source power: Battery & charger: 18V 2Ah 100 - 240v / 50 - 60Hz 1amp

The SER3700ELEC Rivetnut tool has been designed to cover the M5-M12 range. Utilising an 18v brushless motor it is reliable and durable. Supplied in a robust case for use in factory and onsite applications. Quick and easy set-up. Equipped with two batteries, a charger and a selection of sized pull rods and nosecones.

Material application: All materials and specifications of round shank, semi and full hexagonal rivetnuts.

Weight: 1.5kg (inc battery)

Capacity: M5-M12 Aluminum, Steel & Stainless Steel rivetnuts

Stroke: 9mm (Adjustable)

Traction power: 27'000 N

Accessories included: M8, M10 & M12 adaptor sets

Source power: Battery & charger: 18V 2Ah 100 - 240v / 50 - 60Hz 1amp

**air
power**
SERIES

Airpower 4 / Airpower 5

Pneumatic Rivetnut Tools



AP4

The Airpower AP4 is a professional pneumatic rivetnut tool, with a multifunction trigger incorporating both spin-on and spin-off without the need to switch the direction manually. This tried and tested tool can be suspended or handheld, so is versatile and can be plugged into your existing air system or used with a portable compressor, as with the rest of the AP range.

Material application: All materials and specifications of round shank, semi and full hexagonal rivetnuts.

Weight: 1.65kg

Capacity: M3-M10 Aluminum, Steel & Stainless Steel (Capable of M12 depending on host material)

Stroke: 7mm

Traction power: 18'500 N

Motor speed: 2000 rpm spin-on / spin-off

Accessories included: M4, M5, M6, M8 adaptor sets (Both M3 and M12 adaptor sets are not included but are available as optional extras. P.O.A.)

Source power: Pneumatic, working pressure of 5 – 7 bar.

Free air volume: @ 5.1 bar 8 litres

AP5

The Airpower AP5 is the big brother to the ever-popular AP4. A professional pneumatic rivetnut tool, with a multifunction trigger incorporating both spin-on and spin-off without the need to switch the direction manually. This tried and tested tool can be suspended or handheld, so is versatile and can be plugged into your existing air system or used with a portable compressor, as with the rest of the AP range.

Material application: All materials and specifications of round shank, semi and full hexagonal rivetnuts.

Weight: 2.23kg

Capacity: M8-M12 Aluminum, Steel & Stainless Steel

Stroke: 8mm

Traction power: 27'000 N

Motor speed: 2000 rpm spin-on / spin-off

Accessories included: M8, M10, M12 adaptor sets

Source power: Pneumatic, working pressure of 5 - 7 bar.

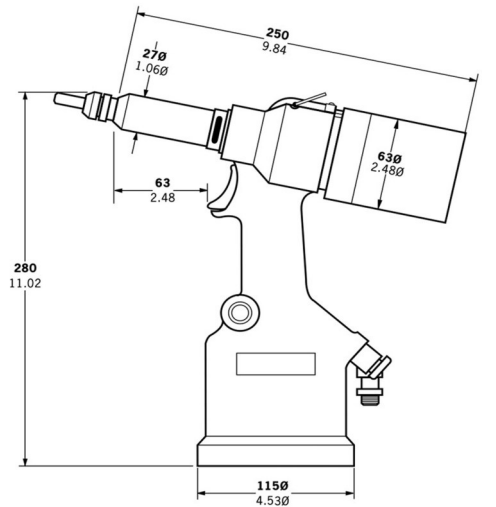
Free air volume: @ 5.1 bar 8 litres



Avdel 74200

AVDEL

Pneumatic Rivetnut Tool



Dimensions shown in bold are in mm. Other dimensions are



The 74200 Rivetnut model is a lightweight ergonomic tool for the placement of a wide range of rivetnuts. It features a one-step trigger for simplicity and ease of use whilst the tough plastic body makes this tool capable of withstanding the toughest of production lines. The 74200 can be suspended or used as a hand tool, allowing maximum installations to minimize your installation costs.

Material application: All materials and specifications of round shank, semi and full hexagonal rivetnuts.

Weight: 2.2kg

Capacity: M3, M4, M5, M6, M8, M10 & M12 Aluminium, Steel & Stainless Steel

Stroke: 7mm (Adjustable)

Traction power: 19'100 N

Motor speed: 2000 rpm spin-on/spin-off

Accessories included: None, Adaptor set Avdel 74200 tool Kit sold separately.
P.O.A

Source power: Pneumatic, working pressure of 5 – 7 bar.

Free air volume: @ 5.1 bar 8 litres



XTN20

Pneumatic Rivetnut Tool



The Avdel ProSert XTN20 is a super lightweight durable rivetnut tool with high power to weight ratio, fast cycle times (less than 1.5 seconds per complete setting), excellent ergonomics and great flexibility. Patented dual operating mode technology allows the tool to work in stroke setting or pull to force modes ensuring that whatever your requirements the tool can be set to maximise your production. Downtime is also reduced with the patented tool-free pull rod switchover system which is unique to this tool.

Material application: All materials and specifications of round shank, semi and full hexagonal rivetnuts.

Weight: 1.59kg

Capacity: M3, M4, M5, M6, M8, M10 & M10 Aluminium, Steel & Stainless Steel

Stroke: 3mm - 7mm (Adjustable)

Traction power: 17'650 N

Motor speed: 2000 rpm spin-on/spin-off

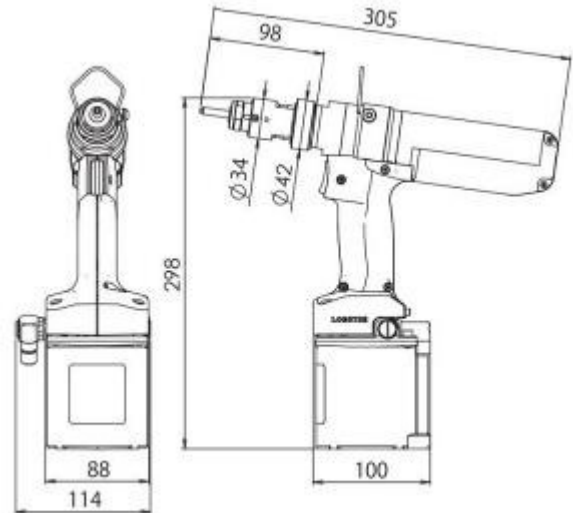
Accessories included: M4, M5, M6, M8 adaptor sets. (M3 & M10 adaptor sets sold separately, P.O.A.)

Source power: Pneumatic, working pressure of 5 – 7 bar

Free air volume: @ 5.1 bar 8 litres

N1A2

Pneumatic Rivetnut Tool



Another great tool by Lobster. This Japanese rivetnut tool is very powerful with a traction power of 25kN it makes this model ideal for production lines where the air is already installed or for portable work with a powerful compressor. The N1A2 will install large diameter rivetnuts for a long duration with ease. At 2.1kg in weight it makes the unit light enough to work with without causing huge fatigue. Easy operation and stroke adjustment and with the one-touch reverse trigger simple to operate too.

Material application: All materials and specifications of round shank, semi and full hexagonal rivetnuts.

Weight: 2.1kg

Capacity: M3-M12 Aluminium, Steel or Stainless Steel rivets.

Stroke: 7mm

Traction power: 25'000 N

Accessories included: M4, M5, M8, M10 adaptor sets (Both M3, M6 & M12 adaptor sets are not included but available as optional extras, P.O.A.)

Source power: Pneumatic, working pressure of 5 – 7 bar

Free air volume: @ 5.1 bar 8 litres



Manual Rivetnut Tools



48/SER72M is a professional hand tool with ratchet action giving an effortless setting of large size rivetnuts. With an overall length of just 210mm, this tool has been specially designed for operation in restricted areas with little space or where utilisation of a power tool is not an option. With the easy setting, stroke adjustment and unscrewing after installation. This tool is a cost-effective alternative to the battery power or pneumatic options.

Material application: All materials and specifications of round shank, semi and full hexagonal rivetnuts.

Weight: 1.15kg

Capacity: M3-M12 Aluminium, Steel & Stainless Steel rivetnuts

Stroke: 9mm (Adjustable)

Traction power: Manual

Accessories included: M5, M6, M8, M10, M12 Pull rods and nosecones (M3 & M4 available to order, P.O.A)

Source power: Manual

48/SER72M



pull-link®

RTS-03ASN12PT



The Q-Connect long arm rivetnut installation tool is a heavy-duty manual option for jobs that have to be in a spark-free environment or where power tools are not an option. The longer arms on this tool make the setting of larger rivet nuts easier than with plier type tools. It comes equipped with a unique ratchet mechanism which makes the installation of larger rivetnuts even easier.

Material application: All materials and specifications of round shank, semi and full hexagonal rivetnuts.

Weight: 1.8kg

Capacity: M4-M12 Aluminium, Steel & Stainless Steel rivetnuts

Stroke: 9mm (Adjustable)

Traction power: Manual

Accessories included: M4, M5, M6, M8, M10, M12 adaptor sets

Source power: Manual

HND-005

Manual Rivetnut Tool



Made by Lobster, this rivetnut tool is an aluminium die-cast frame and drop-forged steel lever handle making it a light-duty single lever rivetnut tool. Ideal for use in low volume production or workshop environments. This right-angle tool can access restricted applications where other tools can not. Designed for single-handed operation, it allows the operator more flexibility of movement and clamping with the free hand.

Material application: All materials and specifications of round shank, semi and full hexagonal rivetnuts.

Weight: 0.65kg

Capacity: Aluminium: M3-M6, Steel: M3-M5, Stainless Steel: M4 rivetnuts, Not suitable for M6 Steel or M5 & M6 Stainless Steel.

Stroke: 8mm (Adjustable)

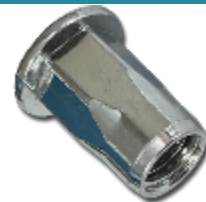
Traction power: Manual

Accessories included: M3, M4, M5, M6 adaptor sets

Source power: Manual

KJ-15 Range

Manual Rivetnut Tool



The FAR "KJ" range of hand rivetnut tools is an extremely cost-effective alternative for smaller jobs of a single size. With a dedicated single size pull-rod per tool, Simply choose the size you need for your size of rivetnut. Recommended for use in narrow spaces. A simple tommy bar operated tool for low volume or repair work.

KJ-15: 10-32, 1/4-20, 5/16-18 & 3/8-16

Material application: All materials and specifications of round shank, semi and full hexagonal rivetnuts.

Weight: 0.4kg

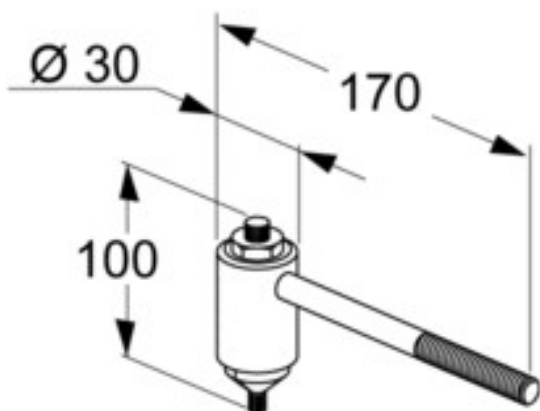
Capacity: 10/32unf, 1/4-20, 5/16-18 & 3/8-16unc Aluminium, Steel & Stainless Steel rivetnuts


Stroke: 9mm (Adjustable)

Traction power: Manual

Accessories included: 10/32unf, 1/4-20, 5/16-18 & 3/8-16unc adaptor set, 1 size per tool

Source power: Manual



 gr. 400

KJ-15: M4-M10

Material application: All materials and specifications of round shank, semi and full hexagonal rivetnuts.

Weight: 0.4kg

Capacity: M4-M10 Aluminium, Steel & Stainless Steel rivetnuts

Stroke: 9mm (Adjustable)

Traction power: Manual

Accessories included: M4-M10 adaptor set, 1 size per tool

Source power: Manual

SER149ELEC / SER159ELEC

Battery Powered Rivet Tool



SER149ELEC

The SER149ELEC Rivet tool has been designed to cover the full range of non-structural rivets up to 4.8mm. Utilising an 18v brushless motor it is both reliable and durable. Supplied in a robust case for use in factory and onsite applications. Quick and easy set-up. Equipped with two batteries, a charger and a selection of sized nose pieces.

Material application: Aluminium, Steel or Stainless Steel rivets

Weight: 1.44kg (inc battery)

Capacity: 3.2mm, 4.0mm, 4.8mm

Stroke: 21mm Ø

Traction power: 12'000 N

Accessories included: 3.2mm, 4.0mm, 4.8mm Ø adaptor sets

Source power: Battery & charger: 18V 2Ah
100 - 240v / 50 - 60Hz 1amp

SER159ELEC

The SER159ELEC Rivet tool has been designed to cover the full range including structural rivets from 5.2mm to 7.5mm. Utilising an 18v brushless motor it is both reliable and durable. Supplied in a robust case for use in factory and onsite applications. Quick and easy set-up. Equipped with two batteries, a charger and a selection of sized nose pieces.

Material application: Aluminium, Steel or Stainless Steel rivets

Weight: 1.44kg (inc battery)

Capacity: 5.2mm, 6.4mm, 7.5mm

Stroke: 26mm Ø

Traction power: 12'000 N

Accessories included: 5.2mm, 6.4mm, 7.5mm Ø adaptor sets

Source power: Battery & charger: 18V 2Ah
100 - 240v / 50 - 60Hz 1amp

air
power
SERIES

Airpower 1 / Airpower 2

Pneumatic Rivet Tools



The AP1 and AP2 pneumatic riveting tools are one of the most popular ranges on the market. The Vacuum Collection System on the AP1 and AP2 tools removes the spent mandrels from the workplace. To secure the mandrel collection container on the rear of the tool, simply twist to remove it when full. The mandrel collection container has just three positions: OFF – For emptying the container, ON – For enabling the vacuum collection system, NEUTRAL – For use as a normal non-vacuum application. It has a 360° rotational air inlet, which allows operation in any position. The tools are both light and ergonomically designed and provide a comfortable shockless working position.

Airpower 1

Material application: Aluminium, Steel or Stainless Steel rivets

Weight: 1.25kg

Capacity: 2.4mm – 4.8mm Ø rivets

Stroke: 17mm

Traction power: 7'300 N

Motor speed: 2000 rpm spin-on/ spin-off

Accessories included: 3.2mm, 4.0mm, 4.8mm Ø adaptor sets

Source power: Pneumatic, working pressure of 5 – 7 bar.

Free air volume: @ 5.1 bar 8 litres

Airpower 2

Material application: Aluminium, Steel or Stainless Steel rivets

Weight: 1.65kg

Capacity: 4.0mm – 6.4mm Ø rivets

Stroke: 21mm

Traction power: 12'500 N

Motor speed: 2000 rpm spin-on/ spin-off

Accessories included: 4.8mm & 6.4mm Ø adaptor sets

Source power: Pneumatic, working pressure of 5 – 7 bar.

Free air volume: @ 5.1 bar 8 litres

Airpower 3

Pneumatic Rivet Tool

air
power
SERIES



The AP3 pneumatic riveting tool is the big brother of the AP2, with 3.5kn more traction power than the AP2 and a longer stroke as standard, as well as the ability to insert both rivets and structural rivets. It has many benefits over the AP2. The Vacuum Collection System on the AP3 tool removes the spent mandrels from the workplace. To secure the mandrel collection container on the rear of the tool, simply twist to remove it when full. The mandrel collection container has just three positions: OFF – For emptying the container, ON – For enabling the vacuum collection system, NEUTRAL – For use as a normal non-vacuum application. It has a 360° rotational air inlet, which allows operation in any position. The tool is both light and ergonomically designed and provides a comfortable shockless working position.

Material application: Aluminium, Steel or Stainless Steel rivets. The AP3 will also insert Steel & Stainless Steel Structural rivets

Weight: 1.8kg

Capacity: 4.0mm – 6.4mm Ø rivets & structural rivets

Stroke: 25mm

Traction power: 16'000 N

Motor speed: 2000 rpm spin-on/ spin-off

Accessories included: 4.8mm & 6.4mm Ø adaptor sets

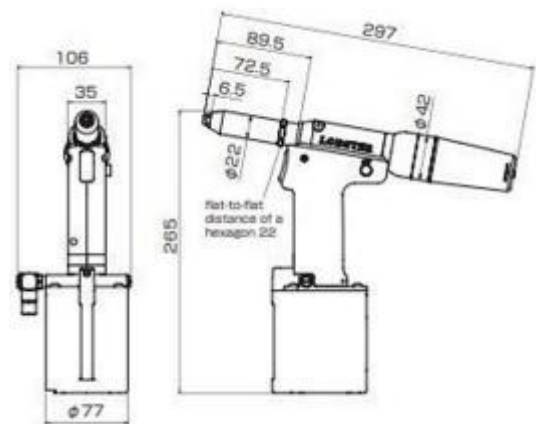
Source power: Pneumatic, working pressure of 5 – 7 bar

Free air volume: @ 5.1 bar 8 litres



R1A1

Pneumatic Rivet Tool



Developed and built by Lobster using comprehensive Japanese technology and experience. The R1A1 Rivet model features a lightweight design. With its compact construction, it incorporates a reduced diameter frame head, dual-action trigger and dual air inlet fittings for flexibility. With its slender handle and lightweight body for comfortable handling over extended periods this has made this model an award-winning riveter.

Material application: Aluminium, Steel or Stainless Steel rivets

Weight: 1.1kg

Capacity: 2.4mm – 4.8mm Ø rivets

Stroke: 19mm

Traction power: 10'000 N

Accessories included: 3.2mm, 4.0mm, 4.8mm Ø adaptor sets

Source power: Pneumatic, working pressure of 5 – 7 bar

Free air volume: @ 5.1 bar 8 litres

Manual Tools for Rivets



HR-002-D

Made by Lobster, this rivet tool is an aluminium die-cast frame and drop-forged steel lever handle making it a light-duty single lever rivet tool. Ideal for use in low volume production or workshop environments. This right-angle tool can access restricted applications where other tools can't. Designed for single-handed operation, it allows the operator more flexibility of movement and clamping with the free hand. The rivet mandrel is automatically ejected on the reverse stroke.

Material application: Aluminium, Steel or Stainless Steel rivets

Weight: 0.5kg

Capacity: 2.4mm – 4.8mm Ø rivets, Cannot be used with 4.8 Ø Stainless steel rivets

Stroke: 8mm (Adjustable)

Traction power: Manual

Accessories included: 2.4mm, 3.2mm, 4.0mm, 4.8mm Ø adaptor sets

Source power: Manual



HR-200

Also Made by Lobster, this rivet tool is an aluminium die-cast frame and drop-forged steel lever handle making it a light-duty single lever rivet tool. Ideal for use in low volume production & DIY environments. This right-angle tool can access restricted applications where other tools can not. Designed for single-handed operation.

Material application: Aluminium, Steel or Stainless Steel rivets

Weight: 0.4kg

Capacity: 2.4mm – 4.0mm Ø rivets, Cannot be used with 4.0mm Ø Stainless steel rivets

Stroke: 8mm (Adjustable)

Traction power: Manual

Accessories included: 2.4mm, 3.2mm, 4.0mm Ø adaptor sets

Source power: Manual



Rivetnut Technology Systems Ltd
01296 330331
info@rivetnut.co.uk

Unit 5 Bridgegate Business Park
Gatehouse Way
Aylesbury
Buckinghamshire
HP19 8XN
Website: rivetnut.co.uk

Spares:

From stock we offer spare parts for the tools which we current and discontinued models, where available. Please contact us for spare parts list and prices. Please have the make, model and serial number available if possible as spare parts can vary dependant upon the year of manufacture and batch number. Contact our sales team for a quote and availability.

Servicing & Repair:

As a repair agent for many brands, we service a range of tools, even if we have not sold the tool to you originally. Please contact our sales team for more details. Our trained service engineers both in the UK and Europe will be happy to help. Contact our servicing team for details and to discuss your requirements.

Tool Hire:

RTS have a range of tools available to hire on a daily, weekly or monthly basis, dependant on the unit and availability. We can supply rivetnut tools from M3 to M16 as well as rivet tools in either battery and pneumatic options. Contact our sales team for full details and to obtain a quote.