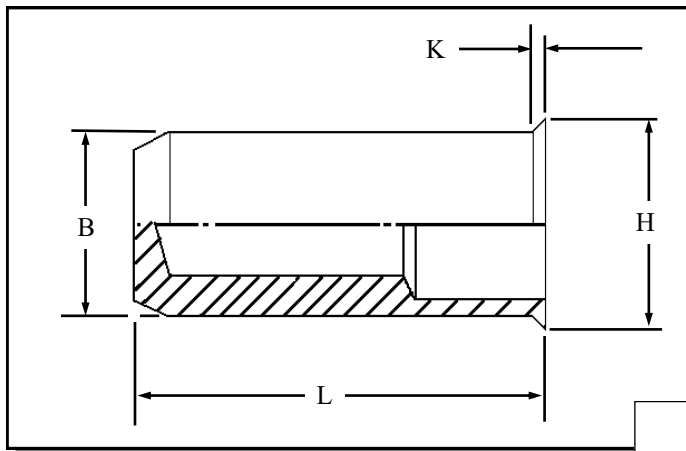


## RLCS-CD IN MILD STEEL



Round low profile head closed ended Rivetnuts for material up to 3.00 mm thick

All dimensions in mm  
Material :- Mild steel  
Finish :- Zinc Cr3

**R.T.S. SALES LINE**  
**01296 330331**

THREAD SIZE	GRIP RANGE	HOLE SIZE -0.0 +0.10	BODY DIA "B"	HEAD DIA "H" ± 0.10	LENGTH "L"	"K"	PART NUMBER
M4	0.50 to 3.00	6.10	6.00	6.50	15.00	0.50	RLCS-04030-CD
M5	0.50 to 3.00	7.10	7.00	7.50	18.00	0.50	RLCS-05030-CD
M6	0.50 to 3.00	9.10	9.00	9.50	21.50	0.50	RLCS-06030-CD
M8	0.50 to 3.99	11.10	11.00	11.50	22.5	0.50	RLCS-08030-CD

# TECHNICAL DATA SHEET

For additional information and technical support please contact R.T.S. technical sales department . R.T.S. reserve the right to change specifications at any time . Information given is for guidance only and should not be used for specific design criteria without reference to our application engineers.