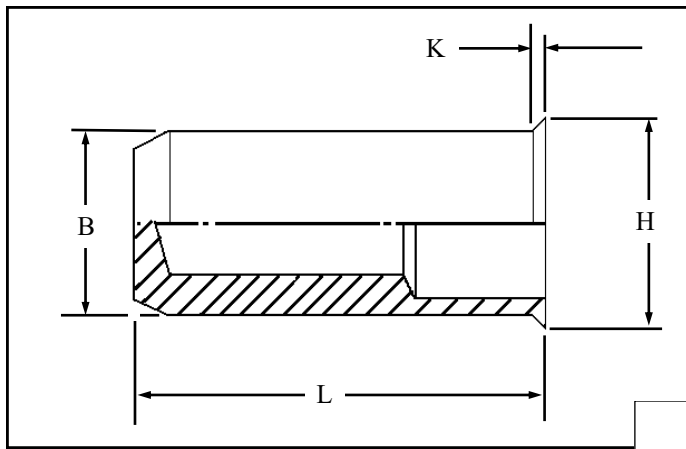


RLCI IN STAINLESS STEEL



Round low profile head closed ended Rivetnuts for material up to 7.60 mm thick

All dimensions in mm
Material :- Stainless steel (AISI 303)
Finish :- self colour

R.T.S. SALES LINE
01296 330331

TECHNICAL DATA SHEET

THREAD SIZE	GRIP RANGE	HOLE SIZE -0.0 +0.10	BODY DIA "B"	HEAD DIA "H" ± 0.10	LENGTH "L"	"K"	PART NUMBER
M3	0.50 to 1.10	5.10	5.00	5.80	10.70	0.30	RLCI-03011
	1.00 to 2.30				11.90		RLCI-03023
M4	0.50 to 1.30	6.10	6.00	6.80	14.40	0.30	RLCI-04013
	1.00 to 3.00				16.00		RLCI-04030
	2.50 to 4.20				17.30		RLCI-04042
M5	0.05 to 1.50	7.10	7.00	8.00	16.50	0.40	RLCI-05015
	1.00 to 3.50				18.50		RLCI-05035
M6	0.50 to 1.50	9.10	9.00	10.00	19.90	0.40	RLCI-06015
	1.00 to 3.50				21.90		RLCI-06035
M6	0.50 to 3.30	9.60	9.55	10.25	23.00	0.40	RLCI-06033-V035
M8	0.50 to 1.80	11.10	11.00	12.00	23.30	0.40	RLCI-08018
	1.50 to 5.00				26.90		RLCI-08050
M10	0.50 to 3.20	13.10	13.00	14.40	31.00	0.50	RLCI-10032
	1.50 to 5.50				33.40		RLCI-10055
M12	0.50 to 4.20	16.10	16.00	17.40	34.50	0.50	RLCI-12042
	2.00 to 7.60				37.90		RLCI-12076

For additional information and technical support please contact R.T.S. technical sales department . R.T.S. reserve the right to change specifications at any time . Information given is for guidance only and should not be used for specific design criteria without reference to our application engineers.