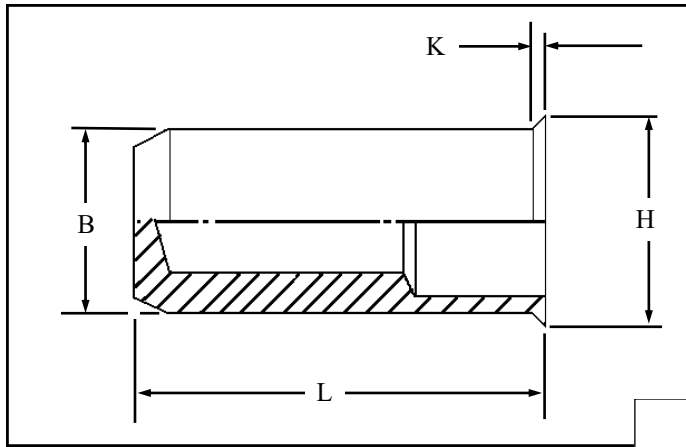


RLCI-J IN STAINLESS STEEL



Round low profile head closed ended Rivetnuts for material up to 3.50 mm thick

All dimensions in mm
Material :- Stainless steel (AISI 304)
Finish :- self colour

R.T.S. SALES LINE
01296 330331

THREAD SIZE	GRIP RANGE	HOLE SIZE -0.0 +0.10	BODY DIA "B"	HEAD DIA "H" ± 0.10	LENGTH "L"	"K"	PART NUMBER
M4	0.50 to 2.50	6.10	6.00	7.0	16.00	0.50	RLCI-04025-J
M5	0.50 to 3.00	7.10	7.00	8.00	18.00	0.50	RLCI-05030-J
M6	0.50 to 3.00	9.10	9.00	10.00	21.00	0.50	RLCI-06030-J
M8	0.50 to 3.00	11.10	11.00	12.00	23.50	0.50	RLCI-08030-J
M10	1.00 to 3.50	13.10	13.00	14.50	26.50	0.80	RLCI-10035-J

TECHNICAL DATA SHEET

For additional information and technical support please contact R.T.S. technical sales department . R.T.S. reserve the right to change specifications at any time . Information given is for guidance only and should not be used for specific design criteria without reference to our application engineers.