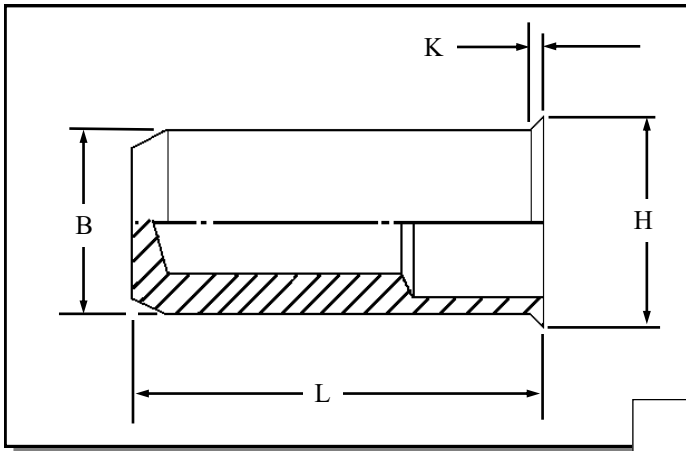


RLCA-G IN ALUMINIUM



Round low profile head closed ended Rivetnuts for material up to 3.50 mm thick

All dimensions in mm
Material :- Aluminium ALMg3
Finish—Self Colourl

R.T.S. SALES LINE
01296 330331

THREAD SIZE	GRIP RANGE	HOLE SIZE -0.0 +0.10	BODY DIA "B"	HEAD DIA "H" ± 0.10	LENGTH "L"	"K"	PART NUMBER
M4	0.50 to 3.00	6.10	6.00	6.90	12.00	0.60	RLCA-04030-G
M5	0.50 to 3.00	7.10	7.00	7.90	12.50	0.60	RLCA-05030-G
M6	0.50 to 3.50	9.10	9.00	9.90	15.50	0.60	RLCA-06035-G
M8	0.50 to 3.50	11.10	11.00	11.90	17.00	0.60	RLCA-08035-G

TECHNICAL DATA SHEET

For additional information and technical support please contact R.T.S. technical sales department . R.T.S. reserve the right to change specifications at any time . Information given is for guidance only and should not be used for specific design criteria without reference to our application engineers.