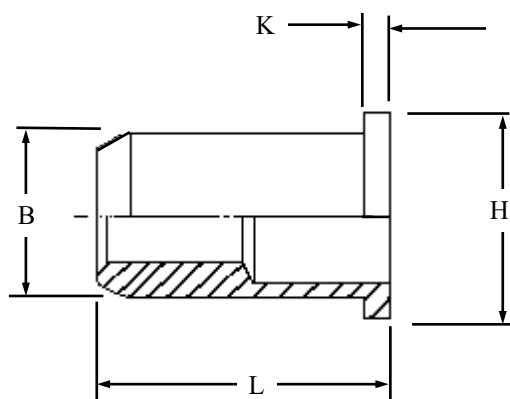


## RFOS-J IN MILD STEEL



Round flat head open ended Rivetnuts for material up to 12.00 mm thick

All dimensions in mm  
Material :- Mild Steel  
Finish :- Zinc RoHS compliant

**R.T.S. SALES LINE**  
**01296 330331**

# TECHNICAL DATA SHEET

THREAD SIZE	GRIP RANGE	HOLE SIZE -0.0 +0.10	BODY DIA "B"	HEAD DIA "H" ± 0.10	LENGTH "L"	"K"	PART NUMBER
M3	0.30 to 1.80	5.10	5.00	8.00	9.50	0.70	RFOS-03018-J
M4	0.50 to 2.00	6.10	6.00	9.00	11.20	0.80	RFOS-04020-J
M5	0.50 to 2.50	7.10	7.00	10.00	12.80	1.00	RFOS-05025-J
M6	0.80 to 3.00 3.00 to 5.00	9.10	9.00	13.00	16.00 18.50	1.50	RFOS-06030-J RFOS-06050-J
M8	0.90 to 3.00 3.00 to 5.50 5.50 to 8.00	11.10	11.00	15.00 16.00 16.00	18.00 21.00 23.00	1.50	RFOS-08030-J RFOS-08055-J RFOS-08080-J
M10	1.00 to 4.50 4.50 to 6.00 6.00 to 9.00 9.00 to 12.00	13.10	13.00	19.00 19.00 19.00 19.00	24.00 25.50 29.30 32.10	2.00 2.00 2.00 2.00	RFOS-10045-J RFOS-10060-J RFOS-10090 RFOS-10120
M12	7.00 to 10.00	16.10	16.00	23.00	32.00	2.00	RFOS-12100-J
M16	1.00 to 5.80	21.10	21.00	26.00	32.80	2.50	RFOS-16058-J

For additional information and technical support please contact R.T.S. technical sales department . R.T.S. reserve the right to change specifications at any time . Information given is for guidance only and should not be used for specific design criteria without reference to our application engineers.