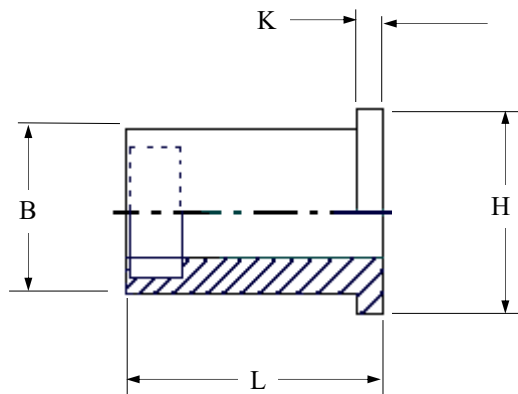


RFOR Rubber Nut-Insert



Round flat head open ended
Rubber nuts for material
up to 56.00 mm thick

All dimensions in mm
Material :- Brass insert
Neoprene or EPDM Rubber body

R.T.S. SALES LINE
01296 330331

TECHNICAL DATA SHEET

THREAD SIZE	GRIP RANGE	HOLE SIZE -0.0 +0.20	BODY DIA "B"	HEAD DIA "H" ± 0.10	LENGTH "L"	"K"	PART NUMBER
M3	0.40 to 4.00	8.00	7.90	11.00	12.60	1.20	RFOR-03040
	9.50 to 13.00	6.20	6.10	14.00	24.90	1.90	RFOR-03130
	8.50 to 15.00	8.00	7.90	11.00	24.00	1.20	RFOR-03150
M4	0.40 to 4.00	8.00	7.90	11.00	12.60	1.40	RFOR-04040
	0.40 to 4.40			19.05	14.20	1.20	RFOR-04044
	8.50 to 14.00			11.00	24.00	1.20	RFOR-04140
M5	0.40 to 4.90	9.70	9.60	12.70	14.10	0.90	RFOR-05049
	0.85 to 5.90			14.00	17.00	1.00	RFOR-05059
	0.80 to 5.80			19.00	18.00	2.00	RFOR-05058-XLF
	0.80 to 5.80			18.95	20.95	4.70	RFOR-05058-LF
	4.00 to 10.00			14.00	21.50	0.90	RFOR-05100
	7.90 to 15.00			14.00	26.50	1.30	RFOR-05150
20.50 to 30.00	14.00	39.00	1.30	RFOR-05300			
M6	0.40 to 4.00	12.80	12.70	16.00	16.00	1.30	RFOR-06040
	0.40 to 4.00	12.80	12.70	20.00	16.00	1.30	RFOR-06040-LF
	4.70 to 8.70	12.80	12.70	16.00	20.30	1.30	RFOR-06087
	0.80 to 4.70	12.80	12.70	19.50	21.10	4.75	RFOR-06047
	6.40 to 11.50	12.80	12.70	16.30	26.70	2.00	RFOR-06115
	11.50 to 23.00	13.10	13.00	16.00	35.00	1.30	RFOR-06230
	26.00 to 38.00	12.80	12.70	16.00	50.00	1.30	RFOR-06380
M8	0.40 to 4.00	16.00	15.90	21.50	18.30	3.20	RFOR-08040
	3.95 to 9.50	16.00	15.90	21.50	27.90	5.70	RFOR-08095
	2.00 to 18.00	18.10	18.00	25.00	30.00	1.60	RFOR-08180
	15.00 to 35.00	18.10	18.00	29.50	50.00	3.00	RFOR-08350
M10	0.38 to 11.10	19.15	19.05	29.50	27.00	4.75	RFOR-10111
M12	2.50 to 3.50	24.10	24.00	27.00	26.50	3.00	RFOR-12035
	38.00 to 56.00				78.00	1.30	RFOR-12560

NOTICE. 1 The "Rubber nut" must be kept away from oil and solvents.

2 Temperature range of -30°C to + 80°C.

The exact size can be changed according to your request, volume permitting.

For additional information and technical support please contact R.T.S. technical sales department . R.T.S. reserve the right to change specifications at any time . Information given is for guidance only and should not be used for specific design criteria without reference to our application engineers.