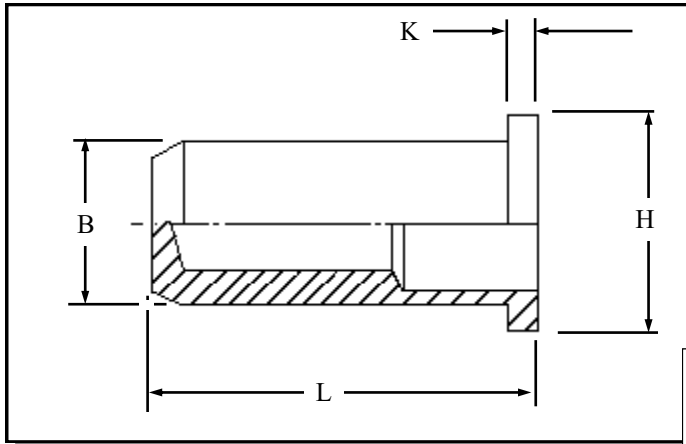


RFCS-G IN MILD STEEL



Round flat head closed ended Rivetnuts for material up to 6.00 mm thick

All dimensions in mm
Material :- Mild Steel
Finish :- Zinc Plated Cr3
RoHS compliant

R.T.S. SALES LINE
01296 330331

THREAD SIZE	GRIP RANGE	HOLE SIZE -0.0 +0.10	BODY DIA "B"	HEAD DIA "H" ± 0.10	LENGTH "L"	"K"	PART NUMBER
M4	0.25 to 3.00	6.10	6.00	9.00	15.80	0.80	RFCS-04030-G
	2.50 to 4.50				17.80		RFCS-04045-G
M5	0.25 to 3.00	7.10	7.00	10.00	18.00	1.00	RFCS-05030-G
	2.50 to 5.00				20.00		RFCS-05050-G
M6	0.25 to 3.50	9.10	9.00	12.00	23.00	1.50	RFCS-06035-G
	3.00 to 5.50				26.00		RFCS-06055-G
M8	0.25 to 3.50	11.10	11.00	14.00	25.50	1.50	RFCS-08035-G
	3.00 to 6.00				28.50		RFCS-08060-G

For additional information and technical support please contact R.T.S. technical sales department . R.T.S. reserve the right to change specifications at any time . Information given is for guidance only and should not be used for specific design criteria without reference to our application engineers.