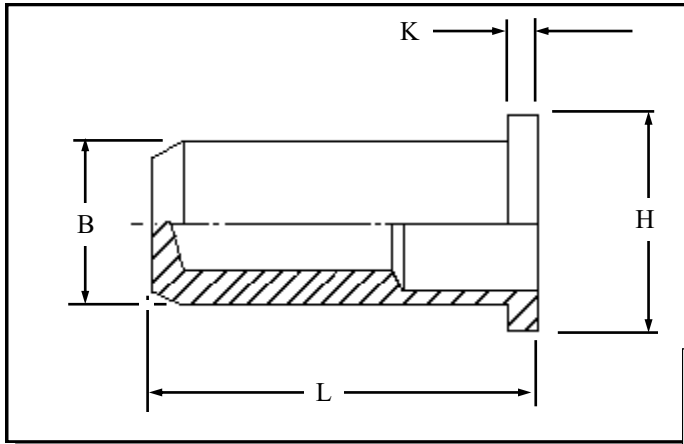


RFCS-F IN MILD STEEL



Round flat head closed ended Rivetnuts for material up to 6.00 mm thick

All dimensions in mm
Material :- Mild Steel
Finish :- Zinc Plated Cr3
RoHS compliant

R.T.S. SALES LINE
01296 330331

TECHNICAL DATA SHEET

THREAD SIZE	GRIP RANGE	HOLE SIZE -0.0 +0.10	BODY DIA "B"	HEAD DIA "H" ± 0.10	LENGTH "L"	"K"	PART NUMBER
M3	0.30 to 1.80	5.00	4.90	7.00	14.50	0.80	RFCS-03018-F
	1.80 to 3.00				15.50		RFCS-03030-F
M4	0.30 to 2.50	6.00	5.90	9.00	16.50	1.00	RFCS-04025-F
	2.50 to 4.00				18.00		RFCS-04040-F
M5	0.50 to 3.00	7.00	6.90	10.00	18.00	1.20	RFCS-05030-F
	3.00 to 5.00				20.50		RFCS-05050-F
M6	0.50 to 2.30	9.00	8.90	12.00	20.50	1.50	RFCS-06023-F
	2.30 to 4.00				22.00		RFCS-06040-F
	4.00 to 6.00				23.50		RFCS-06060-F
M8	0.80 to 3.50	11.00	10.90	15.00	25.50	1.50	RFCS-08035-F
	3.50 to 6.00				28.00		RFCS-08060-F
M10	1.0 to 3.50	12.00	11.90	16.00	29.00	1.70	RFCS-10035-F
	3.50 to 6.00				31.50		RFCS-10060-F

For additional information and technical support please contact R.T.S. technical sales department . R.T.S. reserve the right to change specifications at any time . Information given is for guidance only and should not be used for specific design criteria without reference to our application engineers.