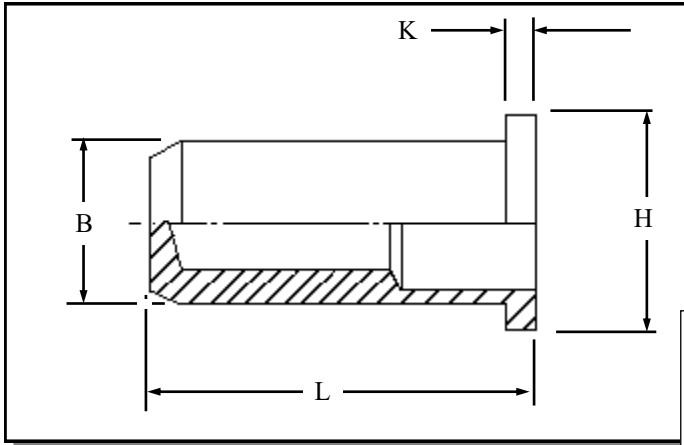


RFCI-CD IN STAINLESS STEEL



Round flat head closed ended Rivetnuts for material up to 3.00 mm thick

All dimensions in mm
Material :- Stainless Steel (AISI 304)
Finish :- Self colour

R.T.S. SALES LINE
01296 330331

THREAD SIZE	GRIP RANGE	HOLE SIZE -0.0 +0.10	BODY DIA "B"	HEAD DIA "H" ± 0.10	LENGTH "L"	"K"	PART NUMBER
M4	0.50 to 2.00	6.10	6.00	9.00	16.00	1.00	RFCI-04020-CD
M5	0.50 to 3.00	7.10	7.00	10.00	18.50	1.00	RFCI-05030-CD
M6	0.50 to 3.00	9.10	9.00	12.00	23.00	1.50	RFCI-06030-CD
M8	0.50 to 3.00	11.10	11.00	15.00	25.00	1.50	RFCI-08030-CD

TECHNICAL DATA SHEET

For additional information and technical support please contact R.T.S. technical sales department . R.T.S. reserve the right to change specifications at any time . Information given is for guidance only and should not be used for specific design criteria without reference to our application engineers.