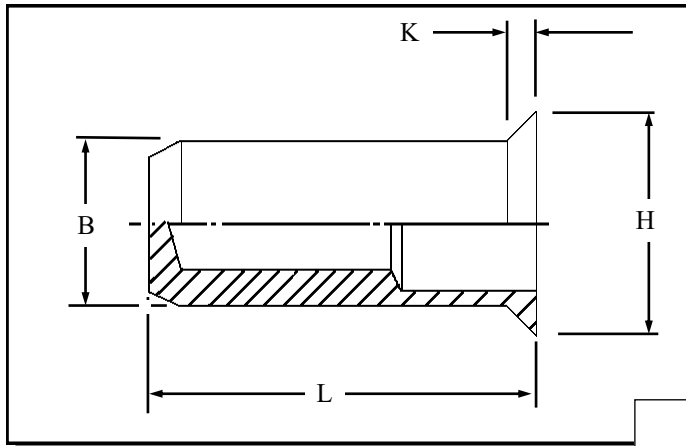


RCCS IN MILD STEEL



Round Countersunk head closed ended Rivetnuts for material up to 7.60 mm thick

All dimensions in mm
Material :- Mild Steel
Finish :- Zinc Plated Cr3
RoHS compliant

R.T.S. SALES LINE
01296 330331

TECHNICAL DATA SHEET

| THREAD SIZE | GRIP RANGE | HOLE SIZE -0.0 +0.10 | BODY DIA "B" | HEAD DIA "H" ± 0.10 | LENGTH "L" | "K" | PART NUMBER |
|-------------|--------------|-------------------------|-----------------|---------------------------|---------------|------|--|
| M3 | 1.00 to 1.70 | 5.10 | 5.00 | 6.80 | 12.30 | 1.00 | RCCS-03017 RCCS-03023 RCCS-03030 |
| | 1.10 to 2.30 | | | | 12.90 | | |
| | 2.00 to 3.00 | | | | 13.50 | | |
| M4 | 1.00 to 2.10 | 6.10 | 6.00 | 7.80 | 15.90 | 1.00 | RCCS-04021 RCCS-04029 RCCS-04037 |
| | 1.30 to 2.90 | | | | 16.70 | | |
| | 2.50 to 3.70 | | | | 17.50 | | |
| M5 | 1.00 to 2.50 | 7.10 | 7.00 | 8.80 | 18.30 | 1.00 | RCCS-05025 RCCS-05035 RCCS-05045 |
| | 1.50 to 3.50 | | | | 19.30 | | |
| | 3.00 to 4.50 | | | | 20.30 | | |
| M6 | 1.00 to 2.50 | 9.10 | 9.00 | 10.80 | 22.30 | 1.00 | RCCS-06025 RCCS-06035 RCCS-06045 RCCS-06055 |
| | 1.50 to 3.50 | | | | 23.30 | | |
| | 2.50 to 4.50 | | | | 24.30 | | |
| | 4.00 to 5.50 | | | | 25.30 | | |
| M8 | 1.50 to 3.00 | 11.10 | 11.00 | 13.80 | 25.20 | 1.50 | RCCS-08030 RCCS-08042 RCCS-08054 RCCS-08066 |
| | 1.80 to 4.20 | | | | 26.40 | | |
| | 3.00 to 5.40 | | | | 27.60 | | |
| | 5.00 to 6.60 | | | | 28.80 | | |
| M10 | 1.50 to 3.70 | 13.10 | 13.00 | 15.80 | 32.90 | 1.50 | RCCS-10037 RCCS-10052 RCCS-10068 |
| | 2.00 to 5.20 | | | | 34.40 | | |
| | 5.00 to 6.80 | | | | 35.90 | | |
| M12 | 2.00 to 4.20 | 16.10 | 16.00 | 19.80 | 36.10 | 2.00 | RCCS-12042 RCCS-12076 |
| | 4.00 to 7.60 | | | | 39.70 | | |

For additional information and technical support please contact R.T.S. technical sales department . R.T.S. reserve the right to change specifications at any time . Information given is for guidance only and should not be used for specific design criteria without reference to our application engineers.