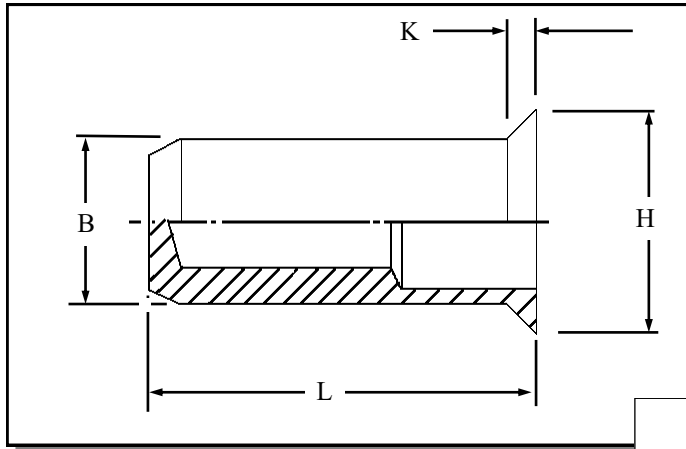


RCCI IN STAINLESS STEEL



Round Countersunk head closed ended Rivetnuts for material up to 6.80 mm thick

All dimensions in mm
Material :- Stainless steel (AISI 303)
Finish :- self colour

R.T.S. SALES LINE
01296 330331

TECHNICAL DATA SHEET

THREAD SIZE	GRIP RANGE	HOLE SIZE -0.0 +0.10	BODY DIA "B"	HEAD DIA "H" ± 0.10	LENGTH "L"	"K"	PART NUMBER
M3	1.00 to 1.70 1.10 to 2.30 1.80 to 3.00	5.10	5.00	6.80	11.30 11.90 12.50	1.00	RCCI-03017 RCCI-03023 RCCI-03030
M4	1.00 to 2.10 1.30 to 3.00 2.00 to 3.70	6.10	6.00	7.80	15.20 16.00 16.80	1.00	RCCI-04021 RCCI-04030 RCCI-04037
M5	1.00 to 2.50 1.50 to 3.50 2.50 to 4.50	7.10	7.00	8.80	17.50 18.50 19.50	1.00	RCCI-05025 RCCI-05035 RCCI-05045
M6	1.00 to 2.50 1.50 to 3.50 2.50 to 4.50 3.50 to 5.50	9.10	9.00	10.80	20.90 21.90 22.90 23.90	1.00	RCCI-06025 RCCI-06035 RCCI-06045 RCCI-06055
M8	1.50 to 3.00 1.80 to 4.20 2.00 to 5.00 4.00 to 5.00	11.10	11.00	13.80	24.50 25.70 26.90 28.10	1.50	RCCI-08030 RCCI-08042 RCCI-08050 RCCI-08065
M10	1.80 to 4.00 2.50 to 5.50 4.50 to 7.00	13.10	13.00	15.80	31.90 33.40 34.90	1.50	RCCI-10040 RCCI-10055 RCCI-10070
M12	2.00 to 4.20	16.10	16.00	19.80	34.50	2.00	RCCI-12042

For additional information and technical support please contact R.T.S. technical sales department . R.T.S. reserve the right to change specifications at any time . Information given is for guidance only and should not be used for specific design criteria without reference to our application engineers.