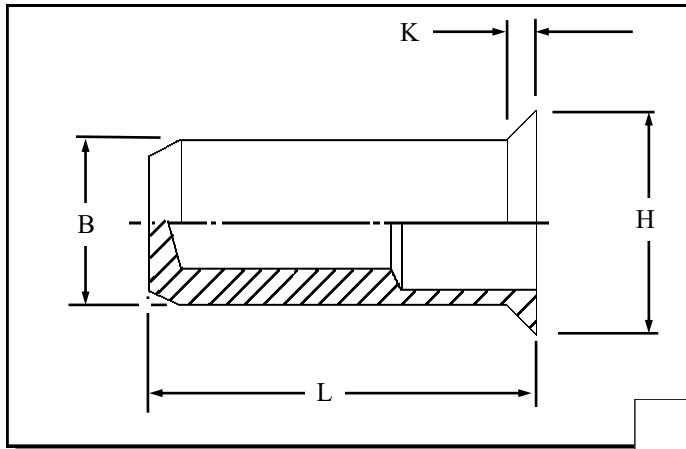


**RCCA-G IN ALUMINIUM**



Round Countersunk head closed ended Rivetnuts for material up to 6.50 mm thick

All dimensions in mm  
Material :- Aluminium ALMg3  
Finish :- self colour

**R.T.S. SALES LINE**  
**01296 330331**

**TECHNICAL DATA SHEET**

THREAD SIZE	GRIP RANGE	HOLE SIZE -0.0 +0.10	BODY DIA "B"	HEAD DIA "H" ± 0.10	LENGTH "L"	"K"	PART NUMBER
M4	1.50 to 3.50	6.10	6.00	9.00	16.00	1.50	RCCA-04035-G
	3.00 to 5.00				17.50		RCCA-04050-G
M5	1.50 to 4.00	7.10	7.00	10.00	19.00	1.50	RCCA-05040-G
	3.50 to 6.00				21.00		RCCA-05060-G
M6	1.50 to 4.50	9.10	9.00	12.00	23.00	1.50	RCCA-06045-G
	4.00 to 6.50				25.00		RCCA-06065-G
M8	1.50 to 4.50	11.10	11.00	14.00	25.50	1.50	RCCA-08045-G
	4.00 to 6.50				27.50		RCCA-08065-G

For additional information and technical support please contact R.T.S. technical sales department . R.T.S. reserve the right to change specifications at any time . Information given is for guidance only and should not be used for specific design criteria without reference to our application engineers.