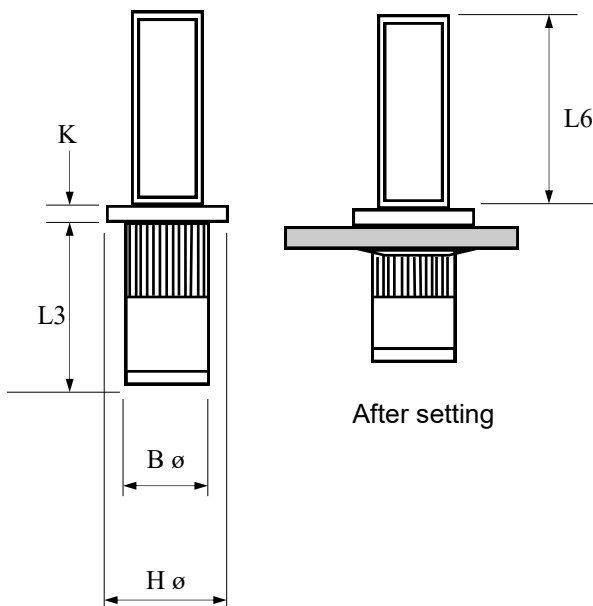


KFBS-J IN MILD STEEL

Round knurled Flat head Rivetstud with multiple stud lengths available for material up to 3.00mm

All dimensions in mm
Material :- Steel
Finish :- Zinc Cr3



R.T.S. SALES LINE
01296 330331

THREAD SIZE	GRIP RANGE	HOLE SIZE -0.0 +0.10	BODY DIA "B"	HEAD DIA "H" ± 0.10	LENGTH "L3"	LENGTH "L6"	"K"	PART NUMBER
M4	0.50 to 2.50	6.00	5.90	9.00	11.00	15.00	1.00	KFBS-04025-15-J
M5	0.50 to 3.00	7.00	6.90	10.00	12.00	15.00	1.00	KFBS-05030-15-J
M6	0.50 to 3.00	9.00	8.90	13.00	14.00	20.00	1.50	KFBS-06030-20-J
M8	0.50 to 3.00	11.00	10.90	16.00	16.00	20.00	1.50	KFBS-08030-20-J

TECHNICAL DATA SHEET

For additional information and technical support please contact R.T.S. technical sales department . R.T.S. reserve the right to change specifications at any time . Information given is for guidance only and should not be used for specific design criteria without reference to our application engineers.