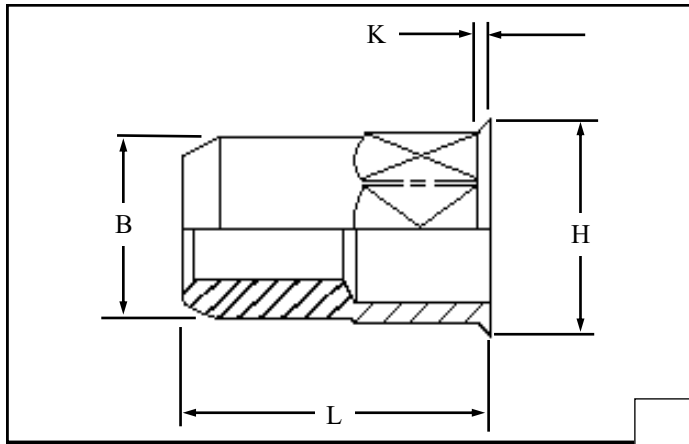


## HTOS-SJ IN STEEL



Hexagon thin sheet open ended Rivetnuts for material up to 3.75 mm thick

All dimensions in mm  
 Material :- Steel  
 Finish :- Zinc Plated Cr3  
 RoHS compliant

**R.T.S. SALES LINE**  
**01296 330331**

THREAD SIZE	GRIP RANGE	HOLE SIZE A/F -0.0 +0.10	BODY A/F "B" -.15	HEAD DIA "H" ± 0.30	LENGTH "L" ±0.35	HEAD "K" ±0.15	PART NUMBER
M4	0.50 to 2.50	6.40	6.35	7.00	10.40	0.40	HTOS-04025-SJ
M5	0.50 to 3.00	7.20	7.10	8.10	12.00	0.50	HTOS-05030-SJ
M6	0.70 to 3.30	9.60	9.50	10.50	14.50	0.50	HTOS-06033-SJ
M8	0.70 to 3.30	10.60	10.50	11.50	16.00	0.50	HTOS-08033-SJ

For additional information and technical support please contact R.T.S. technical sales department . R.T.S. reserve the right to change specifications at any time . Information given is for guidance only and should not be used for specific design criteria without reference to our application engineers.