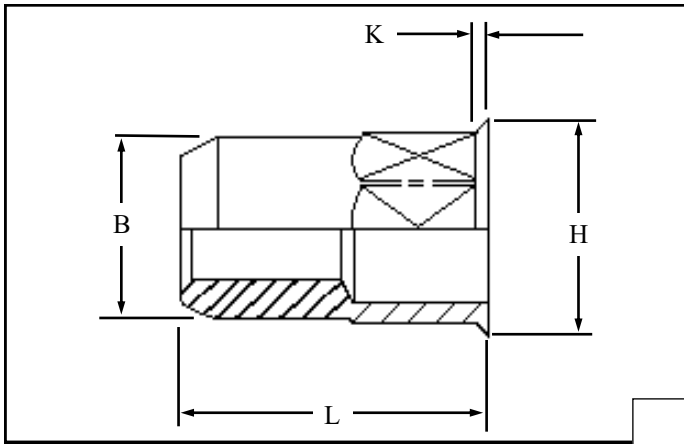


HTOS-SJF IN STEEL



Hexagon thin sheet open ended Rivetnuts for material up to 3.50 mm thick

All dimensions in mm
Material :- Steel
Finish :- Zinc Plated Cr3
RoHS compliant

R.T.S. SALES LINE
01296 330331

THREAD SIZE	GRIP RANGE	HOLE SIZE A/F -0.0 +0.10	BODY A/F "B" -.15	HEAD DIA "H" ± 0.30	LENGTH "L" ±0.35	HEAD "K" ±0.15	PART NUMBER
M4	0.50 to 2.00	6.40	6.25	7.25	10.50	0.50	HTOS-04025-SJF
M5	0.50 to 2.50	7.20	7.05	8.10	12.00	0.50	HTOS-05030-SJF
M6	1.00 to 3.00	9.60	9.45	10.50	15.00	0.60	HTOS-06033-SJF
M8	1.00 to 3.50	10.60	10.45	11.50	16.50	0.65	HTOS-08033-SJF

For additional information and technical support please contact R.T.S. technical sales department . R.T.S. reserve the right to change specifications at any time . Information given is for guidance only and should not be used for specific design criteria without reference to our application engineers.