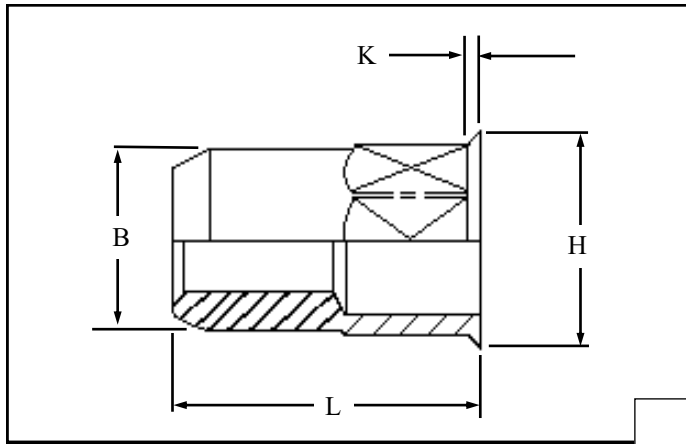


HLOS IN STEEL (EURO DIMENSIONS)



Hexagon low profile head open ended Rivetnuts for material up to 7.60 mm thick

All dimensions in mm
Material :- Steel
Finish :- Zinc Plated Cr3
RoHS compliant

R.T.S. SALES LINE
01296 330331

THREAD SIZE	GRIP RANGE	HOLE SIZE -0.0 +0.10	BODY DIA "B"	HEAD DIA "H" ± 0.10	LENGTH "L"	"K"	PART NUMBER
M3	0.50 to 1.10 1.00 to 2.30 2.00 to 3.20	5.10	5.00	5.80	7.20 8.40 9.70	0.30	HLOS-03011 HLOS-03023 HLOS-03032
M4	0.50 to 1.30 1.00 to 3.00 2.50 to 4.20 3.70 to 5.50	6.10	6.00	6.80	9.40 11.00 12.30 13.80	0.30	HLOS-04013 HLOS-04030 HLOS-04042 HLOS-04055
M5	0.50 to 1.50 1.00 to 3.50 3.50 to 5.50	7.10	7.00	8.00	10.80 12.80 15.00	0.40	HLOS-05015 HLOS-05035 HLOS-05055
M6	0.50 to 1.50 1.00 to 3.50 2.00 to 4.50	9.10	9.00	10.00	13.30 15.30 16.30	0.40	HLOS-06015 HLOS-06035 HLOS-06045
M8	0.50 to 1.80 1.50 to 5.00	11.10	11.00	12.00	14.50 17.80	0.40	HLOS-08018 HLOS-08050
M10	0.50 to 3.20 1.50 to 5.50	13.10	13.00	14.40	20.70 22.90	0.50	HLOS-10032 HLOS-10055
M12	0.50 to 4.20 2.00 to 7.60	16.10	16.00	17.40	24.10 27.70	0.50	HLOS-12042 HLOS-12076

For additional information and technical support please contact R.T.S. technical sales department . R.T.S. reserve the right to change specifications at any time . Information given is for guidance only and should not be used for specific design criteria without reference to our application engineers.