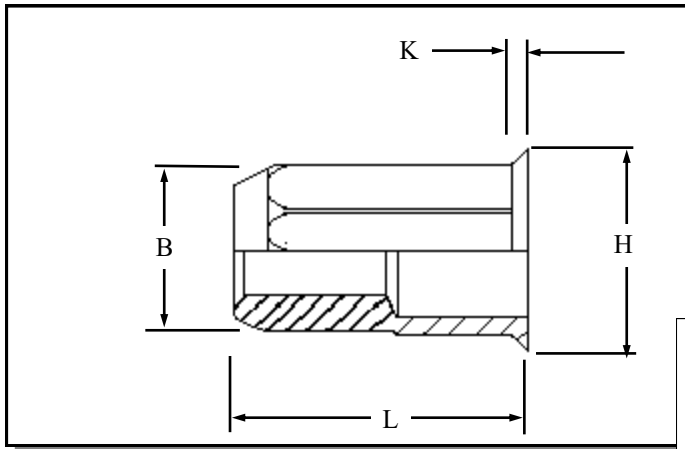


HLOS-CD IN MILD STEEL



All Hexagon low profile head open ended Rivetnuts for material up to 5.50 mm thick

All dimensions in mm
Material :- Mild Steel
Finish :- Zinc and Clear Cr3

R.T.S. SALES LINE
01296 330331

THREAD SIZE	GRIP RANGE	HOLE SIZE -0.0 +0.10	BODY DIA "B"	HEAD DIA "H" ± 0.10	LENGTH "L"	"K"	PART NUMBER
M4	0.50 to 2.00	6.10	6.00	6.60	11.00	.060	HLOS-04020-CD
M5	0.50 to 3.00	7.10	7.00	7.70	14.00	0.60	HLOS-05030-CD
	3.00 to 5.50				16.50		HLOS-05055-CD
M6	0.50 to 3.00	9.10	9.00	9.80	16.00	0.70	HLOS-06030-CD
	3.00 to 5.50				18.50		HLOS-06055-CD
M8	0.50 to 3.00	11.10	11.00	11.80	18.00	0.70	HLOS-08030-CD
	3.00 to 5.50				20.50		HLOS-08055-CD
M10	0.50 to 3.50	13.10	13.00	13.80	23.00	0.70	HLOS-10035-CD

For additional information and technical support please contact R.T.S. technical sales department . R.T.S. reserve the right to change specifications at any time . Information given is for guidance only and should not be used for specific design criteria without reference to our application engineers.