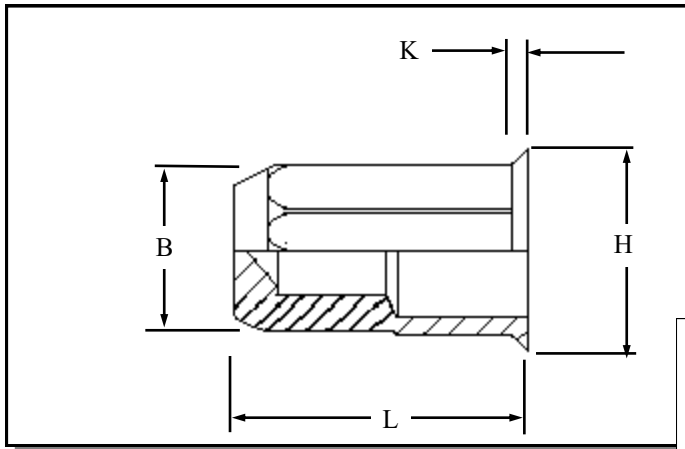


**HLCS-J IN MILD STEEL**



All Hexagon low profile head closed end Rivetnuts for material up to 3.0

All dimensions in mm  
Material :- Mild Steel  
Finish :- Zinc and Clear Cr3

**R.T.S. SALES LINE  
01296 330331**

THREAD SIZE	GRIP RANGE	HOLE SIZE -0.0 +0.10	BODY DIA "B"	HEAD DIA "H" ± 0.10	LENGTH "L"      "K"		PART NUMBER
M5	0.50 to 3.00	7.00	6.95	9.00	20.00	0.50	HLCS-05030-J
M6	0.50 to 3.00	9.00	8.95	10.00	22.00	0.60	HLCS-06030-J
M8	0.50 to 3.00	11.00	10.95	12.00	25.00	0.50	HLCS-08030-J

For additional information and technical support please contact R.T.S. technical sales department . R.T.S. reserve the right to change specifications at any time . Information given is for guidance only and should not be used for specific design criteria without reference to our application engineers.