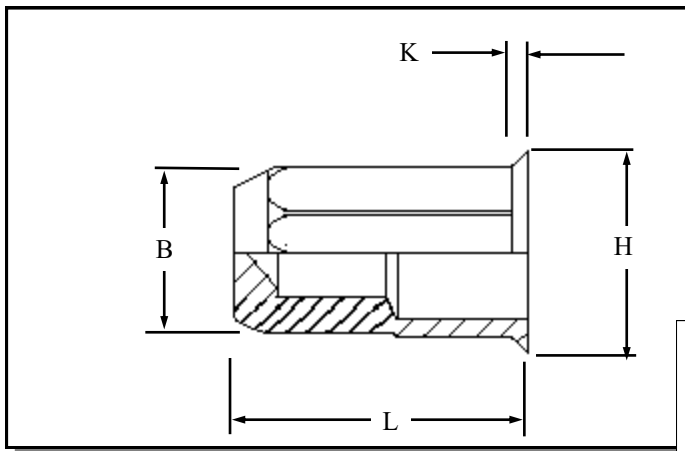


## HLCS-CD IN MILD STEEL



All Hexagon low profile head closed end Rivetnuts for material up to 3.0

All dimensions in mm  
Material :- Mild Steel  
Finish :- Zinc and Clear Cr3

**R.T.S. SALES LINE**  
**01296 330331**

THREAD SIZE	GRIP RANGE	HOLE SIZE -0.0 +0.10	BODY DIA "B"	HEAD DIA "H" ± 0.10	LENGTH "L"	"K"	PART NUMBER
M4	0.50 to 2.00	6.10	6.00	6.60	15.50	0.60	HLCS-04020-CD
M5	0.50 to 3.00	7.10	7.00	7.70	20.00	0.70	HLCS-05030-CD
M6	0.50 to 3.00	9.10	9.00	9.80	22.00	0.70	HLCS-06030-CD
M8	0.50 to 3.00	11.10	11.00	11.80	25.00	0.70	HLCS-08030-CD

For additional information and technical support please contact R.T.S. technical sales department . R.T.S. reserve the right to change specifications at any time . Information given is for guidance only and should not be used for specific design criteria without reference to our application engineers.