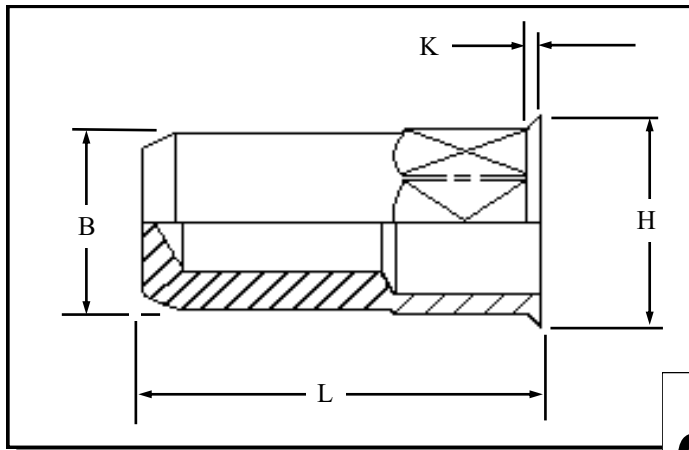


HLCI-J IN STAINLESS STEEL



Hexagon low profile head closed ended Rivetnuts for material up to 5.50 mm thick

All dimensions in mm
Material :- Stainless steel (AISI 303)
Finish :- Self colour

R.T.S. SALES LINE
01296 330331

THREAD SIZE	GRIP RANGE	A/F HOLE SIZE -0.0 +0.10	BODY A/F "B"	HEAD DIA "H" ± 0.10	LENGTH "L"	"K"	PART NUMBER
M4	0.50 to 2.50	6.10	6.00	7.00	16.00	0.50	HLCI-04025-J
	2.50 to 4.00				17.50		HLCI-04040-J
M5	0.50 to 3.00	7.10	7.00	8.00	18.00	0.50	HLCI-05030-J
M6	0.50 to 3.00	9.10	9.00	10.00	21.00	0.50	HLCI-06030-J
M8	0.50 to 3.00	11.10	11.00	12.00	23.50	0.50	HLCI-08030-J
	3.00 to 5.50				26.00		HLCI-08055-J
M10	1.00 to 3.50	13.10	13.00	14.50	26.50	0.80	HLCI-10035-J

For additional information and technical support please contact R.T.S. technical sales department . R.T.S. reserve the right to change specifications at any time . Information given is for guidance only and should not be used for specific design criteria without reference to our application engineers.