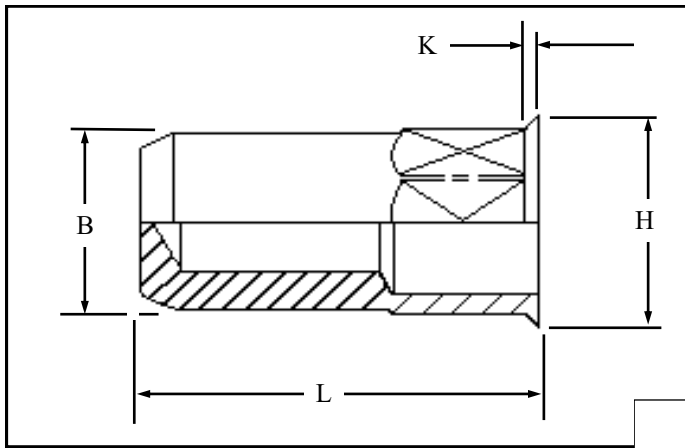


HLCI – CD IN STAINLESS STEEL



Hexagon low profile head closed ended Rivetnuts for material up to 6.00 mm thick

All dimensions in mm
Material :- Stainless steel (AISI 303)
Finish :- Self colour

R.T.S. SALES LINE
01296 330331

TECHNICAL DATA SHEET

THREAD SIZE	GRIP RANGE	HOLE SIZE -0.0 +0.10	BODY DIA "B"	HEAD DIA "H" ± 0.10	LENGTH "L"	"K"	PART NUMBER
M4	0.50 to 2.00	6.00	6.00	6.50	15.50	0.50	HLCI-04020-CD
M5	0.50 to 3.00 3.00 to 5.00	7.00	7.00	7.50	18.00 20.50	0.50	HLCI-05030-CD HLCI-05050-CD
M6	0.50 to 3.00 3.00 to 5.00	9.00	9.00	9.50	21.50 23.50	0.50	HLCI-06030-CD HLCI-06050-CD
M8	0.50 to 3.00 3.00 to 5.50	11.00	11.00	11.50	24.00 26.50	0.50	HLCI-08030-CD HLCI-08055-CD
M10	3.50 to 6.00	13.00	13.00	13.80	29.50	0.70	HLCI-10060-CD

For additional information and technical support please contact R.T.S. technical sales department . R.T.S. reserve the right to change specifications at any time . Information given is for guidance only and should not be used for specific design criteria without reference to our application engineers.