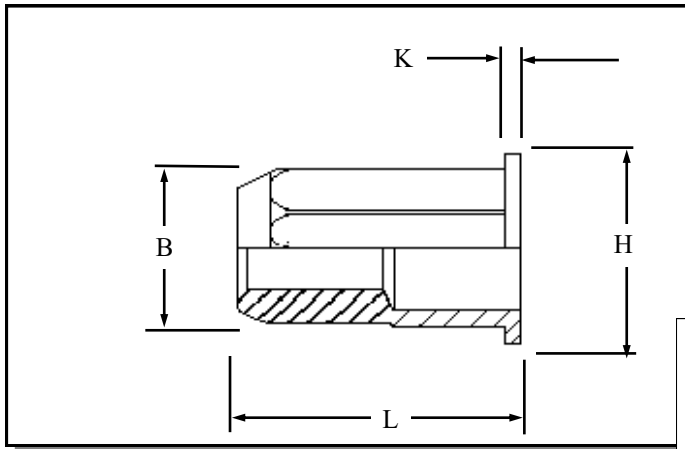


HFOS-J IN MILD STEEL



Full Hexagon Flat head
open ended Rivetnuts
for material up to
4.00 mm thick

All dimensions in mm
Material :- Mild Steel
Finish :- Zinc Cr3

R.T.S. SALES LINE
01296 330331

TECHNICAL DATA SHEET

THREAD SIZE	GRIP RANGE	HOLE SIZE A/F -0.0 +0.10	BODY A/F "B"	HEAD DIA "H" ± 0.10	LENGTH "L"	"K"	PART NUMBER
M4	0.50 to 2.50	6.10	6.00	9.00	11.20	0.80	HFOS-04025-J
M5	0.50 to 3.00	7.10	7.00	10.00	13.00	1.00	HFOS-05030-J
M6	0.50 to 3.00 3.0 to 5.00	9.10	9.00	13.00	16.00 18.00	1.50	HFOS-06030-J HFOS-06050-J
M8	0.50 to 3.00 3.00 to 5.50 5.50 to 8.00 8.00 to 10.00	11.10	11.00	16.00	18.00 20.50 23.00 25.00	1.50	HFOS-08030-J HFOS-08055-J HFOS-08080-J HFOS-08100-J
M10	1.00 to 4.00 4.00 to 6.00 6.00 to 9.50	13.10	13.00	19.00	24.00 25.50 29.00	2.00	HFOS-10045-J HFOS-10060-J HFOS-10095-J
M12	1.5 to 5.0	16.10	16.00	23.00	27.00	2.00	HFOS-12050-J

For additional information and technical support please contact R.T.S. technical sales department . R.T.S. reserve the right to change specifications at any time . Information given is for guidance only and should not be used for specific design criteria without reference to our application engineers.