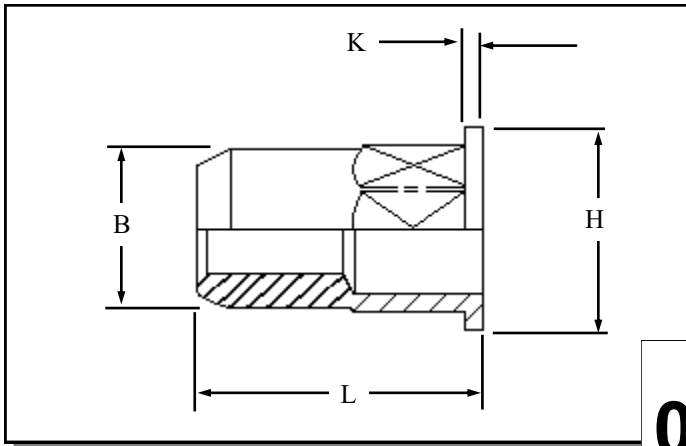


HFOA-B,G IN ALUMINIUM



Hexagon flat head open ended Rivetnuts for material up to 6.00 mm thick

All dimensions in mm
Material :- Aluminium
Finish :- Self colour

R.T.S. SALES LINE
01296 330331

TECHNICAL DATA SHEET

THREAD SIZE	GRIP RANGE	HOLE SIZE - 0.00 + 0.10	BODY DIA "B"	HEAD DIA "H" ± 0.10	LENGTH "L"	"K"	PART NUMBER
M4	0.25 to 2.00	6.10	6.00	9.00	10.50	1.00	HFOA-04020-B
M4	0.25 to 3.00	6.10	6.00	9.00	11.80	0.80	HFOA-04030-G
	2.50 to 4.50				13.80		HFOA-04045-G
M5	0.50 to 3.00	7.10	7.00	10.00	13.00	1.00	HFOA-05030-B
M5	0.25 to 3.00	7.10	7.00	10.00	12.50	1.00	HFOA-05030-G
	2.50 to 5.00				14.50		HFOA-05050-G
M6	0.50 to 3.00	9.10	9.00	13.00	16.00	1.50	HFOA-06030-B
M6	0.50 to 3.50	9.10	9.00	12.00	17.00	1.50	HFOA-06035-G
	3.00 to 5.50				19.50		HFOA-06055-G
M8	0.50 to 3.00	11.10	11.00	16.00	18.00	1.50	HFOA-08030-B
M8	0.25 to 3.50	11.10	11.00	14.00	18.50	1.50	HFOA-08035-G
	3.00 to 6.00				21.50		HFOA-08060-G
M10	0.25 to 3.50	12.10	12.00	15.00	19.00	1.50	HFOA-10035-G
	3.00 to 6.00				22.00		HFOA-10060-G

For additional information and technical support please contact R.T.S. technical sales department . R.T.S. reserve the right to change specifications at any time . Information given is for guidance only and should not be used for specific design criteria without reference to our application engineers.