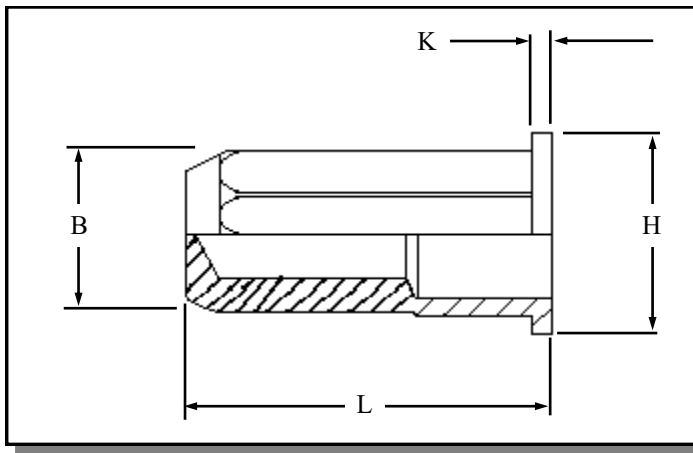


HFCS-CD IN MILD STEEL



All Hexagon body flat head closed ended Rivetnuts for material up to 5.50 mm thick

All dimensions in mm
Material :- Mild Steel
Finish :- Zinc Plated Cr3
RoHS

R.T.S. SALES LINE
01296 330331

THREAD SIZE	GRIP RANGE	HOLE SIZE -0.0 +0.10	BODY A/F "B"	HEAD DIA "H" ± 0.10	LENGTH "L"	"K"	PART NUMBER
M4	0.50 to 2.00	6.10	6.00	9.00	15.50	1.00	HFCS-04020-CD *
M5	0.50 to 3.00	7.10	7.00	10.00	19.00	1.00	HFCS-05030-CD
M6	0.50 to 3.00	9.10	9.00	13.00	23.00	1.50	HFCS-06030-CD *
	3.00 to 5.50				25.00		HFCS-06055-CD *
M8	0.50 to 3.00	11.10	11.00	16.00	26.00	1.50	HFCS-08030-CD
	3.00 to 5.50				28.50		HFCS-08055-CD *
M10	0.80 to 3.50	13.10	13.00	19.00	33.00	2.00	HFCS-10035-CD
	3.50 to 5.50						HFCS-10055-CD *

*** THESE PARTS ARE MADE TO ORDER**

For additional information and technical support please contact R.T.S. technical sales department . R.T.S. reserve the right to change specifications at any time . Information given is for guidance only and should not be used for specific design criteria without reference to our application engineers.