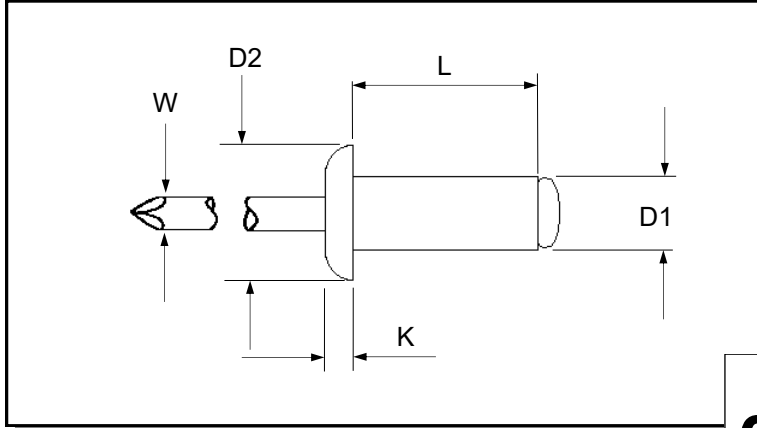




# RIVETNUT TECHNOLOGY SYSTEMS LIMITED

## DSS STEEL BLIND RIVETS 3.0 ø to 6.4 ø

TECHNICAL DATA SHEET



Dome headed steel rivets for material up to 18 mm

All dimensions in mm.  
Rivet body - Steel zinc plated  
Stem - steel zinc plated

**R.T.S. SALES LINE**  
**01296 330331**

**Other sizes are available upon request**

BODY Ø D1	GRIP RANGE	LENGTH L	HEAD Ø D2	HEAD DEPTH K	DRILL SIZE	PART NUMBER
3.00	0.5 to 3.0	6.00	6.00	1.00	3.10	DSS-3006-O
3.20	0.5 to 3.0	6.00	6.50	0.80	3.30	DSS-3206-O
3.20	4.0 to 5.0	8.00	6.50	0.80	3.30	DSS-3208-O
3.20	6.0 to 7.0	10.00	6.50	0.80	3.30	DSS-3210-O
3.20	8.0 to 9.0	12.00	6.50	0.80	3.30	DSS-3212-O
4.00	0.5 to 2.5	6.00	8.00	1.00	4.10	DSS-4006-O
4.00	5.5 to 6.5	10.00	8.00	1.00	4.10	DSS-4010-O
4.00	7.5 to 8.5	12.00	8.00	1.00	4.10	DSS-4012-O
4.80	3.0 to 4.5	8.00	8.00	1.10	4.90	DSS-4808-O
4.80	4.5 to 6.0	10.00	8.00	1.10	4.90	DSS-4810-O
4.80	6.0 to 8.0	12.00	8.00	1.10	4.90	DSS-4812-O
4.80	8.0 to 10.0	14.00	8.00	1.10	4.90	DSS-4814-O
4.80	10.0 to 12.0	16.00	8.00	1.10	4.90	DSS-4816-O
4.80	12.0 to 14.0	18.00	8.00	1.10	4.90	DSS-4818-O
6.40	2.0 to 6.0	12.00	13.00	1.80	6.50	DSS-6412-O

For additional information and technical support please contact R.T.S. technical sales department . R.T.S. reserve the right to change specifications at any time . Information given is for guidance only and should not be used for specific design criteria without reference to our application engineers.