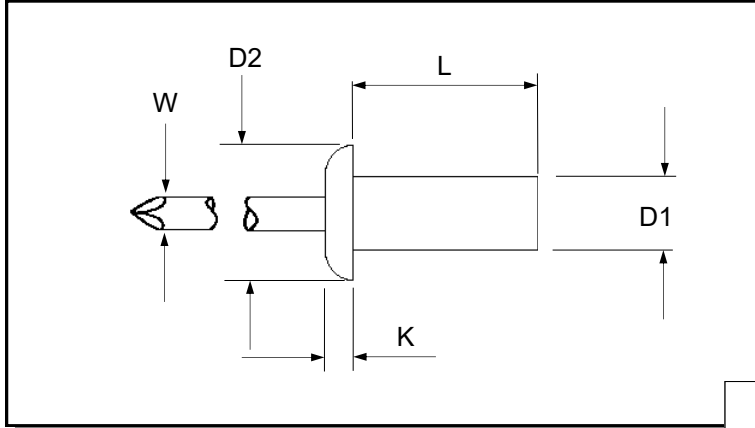


DII – S STAINLESS STEEL BLIND SEALED RIVETS

TECHNICAL DATA SHEET



Dome headed Stainless Steel sealed rivets for material up to 17.00 mm

All dimensions in mm.
Rivet body - Stainless Steel
Stem - Stainless Steel

R.T.S. SALES LINE

01296 330331

BODY Ø D1 +0.08 -0.10	GRIP RANGE	LENGTH L +1.00 -0.20	HEAD Ø D2 +0.20 -0.70	HEAD K Max	DRILL SIZE	NAIL Ø W	PART NUMBER
3.20	0.5 to 1.5	6.00	6.50	1.30	3.30	1.90	DII-3206-S
3.20	1.5 to 3.0	8.00	6.50	1.30	3.30	1.90	DII-3208-S
3.20	3.0 to 4.5	9.50	6.50	1.30	3.30	1.90	DII-3210-S
3.20	4.5 to 6.5	12.00	6.50	1.30	3.30	1.90	DII-3212-S
3.20	6.5 to 8.0	14.00	6.50	1.30	3.30	1.90	DII-3214-S
4.0	0.5 to 1.5	6.00	8.00	1.70	4.10	2.30	DII-4006-S
4.0	1.5 to 3.0	8.00	8.00	1.70	4.10	2.30	DII-4008-S
4.0	3.0 to 5.0	9.50	8.00	1.70	4.10	2.30	DII-4010-S
4.0	5.0 to 6.5	12.00	8.00	1.70	4.10	2.30	DII-4012-S
4.0	6.5 to 8.0	14.00	8.00	1.70	4.10	2.30	DII-4014-S
4.0	8.0 to 11.0	16.00	8.00	1.70	4.10	2.30	DII-4016-S
4.80	1.0 to 3.0	8.00	9.50	2.00	4.90	2.90	DII-4808-S
4.80	3.0 to 5.0	9.50	9.50	2.00	4.90	2.90	DII-4810-S
4.80	5.0 to 6.5	12.00	9.50	2.00	4.90	2.90	DII-4812-S
4.80	6.5 to 8.0	14.00	9.50	2.00	4.90	2.90	DII-4814-S
4.80	6.5 to 9.0	15.00	9.50	2.00	4.90	2.90	DII-4815-S
4.80	8.0 to 9.50	16.00	9.50	2.00	4.90	2.90	DII-4816-S
4.80	9.5 to 11.0	18.00	9.50	2.00	4.90	2.90	DII-4818-S
4.80	11.0 to 12.5	20.00	9.50	2.50	4.90	2.90	DII-4820-S

For additional information and technical support please contact R.T.S. technical sales department . R.T.S. reserve the right to change specifications at any time . Information given is for guidance only and should not be used for specific design criteria without reference to our application engineers.