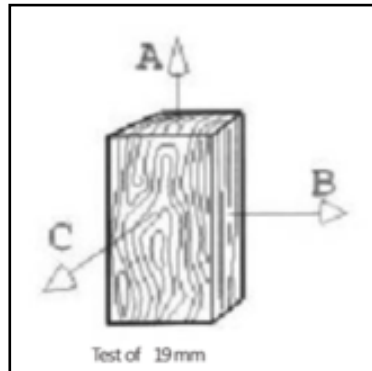
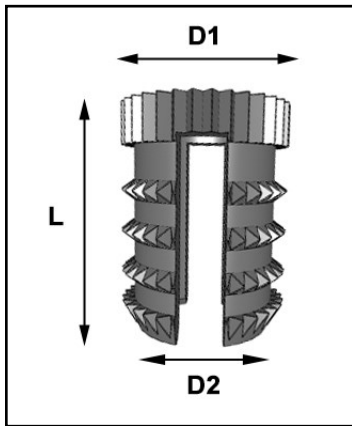
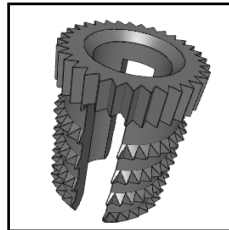
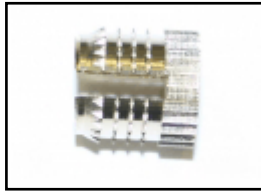


41/TRB BRASS



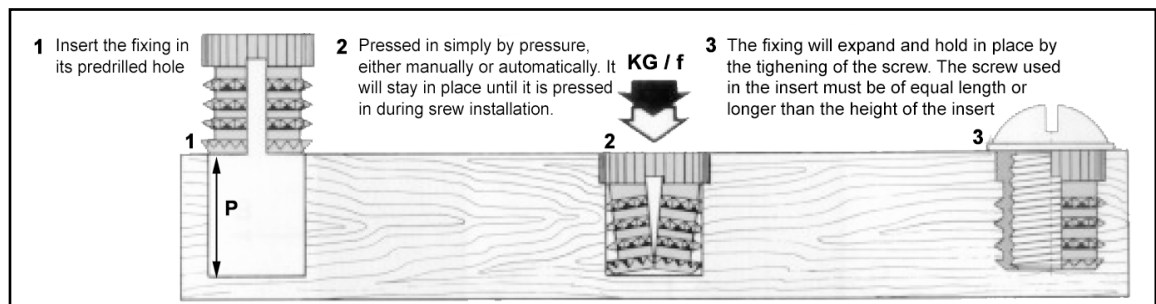
Threaded inserts in Brass, installation by expansion. for screwing into wood.

All dimensions in mm
Material: Brass
Application: Wood



R.T.S. SALES LINE
01296 330331

Material	Max force (daN)		Max force (daN)		Max force (daN)	
	To A	Std Deviation	To B	Std Deviation	To C	Std Deviation
Particle Panel	-	-	102	8.8	143.2	16.2
MDF	-	76.5	8.8	127.8	8.5	-
Oak	163.6	34.3	211.2	13.1	221.7	16.5
Beach	156	8	241.2	5.9	233.1	8.3
Fir	98	15.2	108.4	27.9	98.7	3.8



THREAD SIZE	LENGTH "L"	BODY DIA (With Thread) "D1"	BODY DIA "D2"	MIN' HOLE DEPTH "P"	PART NUMBER
M4	8	6	5	9	41/TRB040H080
M5	8	7	6	9	41/TRB050H080
M6	9.5	9	7.5	11	41/TRB060H095
M8	10	10	8.5	11	41/TRB080H100
M10	13	12	10.5	14	41/TRB100H130

For additional information and technical support please contact R.T.S. technical sales department . R.T.S. reserve the right to change specifications at any time . Information given is for guidance only and should not be used for specific design criteria without reference to our application engineers.