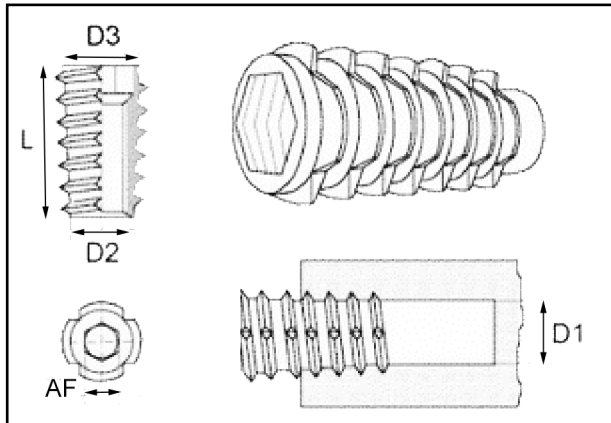


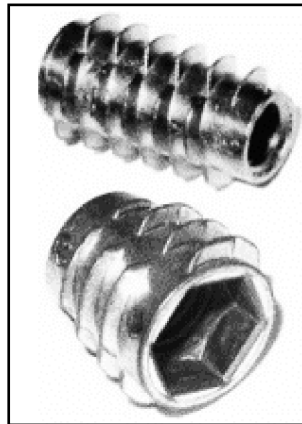
41/SBH ZINC COATED MILD STEEL



Round, hollow hexagonal headless inserts for screwing into wood.

All dimensions in mm
Material: Mild steel zinc plated (CR3)
Application: Wood

R.T.S. SALES LINE
01296 330331



THREAD SIZE	LENGTH "L"	BODY DIA (With Thread) "D1"	BODY DIA "D2"	HEAD DIA "D3"	ACROSS FLATS "AF"	PART NUMBER
M4	10	5.7/6	5.5	7.5	4	41/SBH040H100B
M5	13	7.7/8	6.5	11	5	41/SBH050H130B
M6	10	8.7/9	7.5	12	6	41/SBH060H100B
M6	13	8.7/9	7.5	12	6	41/SBH060H130B
M6	20	8.7/9	7.5	12	6	41/SBH060H200B
M8	13	11.2/11.5	9.5	14.5	8	41/SBH080H130B
M8	20	11.2/11.5	9.5	14.5	8	41/SBH080H200B
M8	25	11.2/11.5	10.5	14.5	8	41/SBH080H250B
M10	25	12.7/13	11.5	15.5	10	41/SBH100H250B

For additional information and technical support please contact R.T.S. technical sales department . R.T.S. reserve the right to change specifications at any time . Information given is for guidance only and should not be used for specific design criteria without reference to our application engineers.