



User Manual

12 INCH ELECTRIC PIZZA OVEN

WBGLEG1201C18



Re1.10523

DO NOT RETURN THIS PRODUCT TO THE STORE

If you have questions or need assistance, please visit our website:
<https://info.westinghousehomeware.com/>



Westinghouse

User Manual

12 INCH ELECTRIC PIZZA OVEN

WBGLEG1201C18

DO NOT RETURN THIS PRODUCT TO THE STORE

If you have questions or need assistance, please visit our website:
<https://info.westinghousehomeware.com/>

CONTENT

SAFETY INFORMATION

IMPORTANT SAFEGUARDS	4
SHORT CORD INSTRUCTIONS	6

HOW TO USE

DESCRIPTION OF PARTS	7
BEFORE FIRST USE	7

CLEANING AND CARE

Storing.....	10
Pizza Stone	10

TROUBLESHOOTING	11
------------------------------	-----------

DISPOSAL	12
-----------------------	-----------

INFORMATION AND SERVICE.....	12
-------------------------------------	-----------

SAFETY INFORMATION

DANGER

DANGER - Immediate hazards which **WILL** result in severe personal injury or death

WARNING

WARNING - Hazards or unsafe practices which **COULD** result in severe personal injury or death

CAUTION

CAUTION - Hazards or unsafe practices which **COULD** result in minor personal injury

WARNING

When using electrical appliances, basic safety precautions should always be followed, including the following

INSTALLER/ASSEMBLER:

Leave this manual with consumer.

CONSUMER:

Keep this manual for future reference.

This instruction manual contains important information necessary for the safe use of the appliance.

Follow all warnings and instructions when using the appliance.

IMPORTANT SAFEGUARDS

READ ALL INSTRUCTIONS BEFORE USE AND SAVE FOR FUTURE REFERENCE.

When using electrical appliances, basic safety precautions should always be followed including:

1. Remove and safely discard any packing materials and promotional labels before using the oven for the first time.
2. To avoid choking hazard for young children, remove and safely dispose of the protective cover fitted on the power plug.
3. Do not use the appliance near the edge of a countertop or table. Ensure the surface is stable, level, heat-resistant and clean.
4. Do not use on a cloth-covered surface, near curtains or other flammable materials.
5. A fire may occur if the oven is covered or touches flammable materials, including curtains, draperies, walls, and the like, when in operation.
6. Do not use the appliance on (or close to) a hot gas or electric burner, or where it could touch a heated oven or surface.
7. Do not let the power cord hang over the edge of a table or counter, touch hot surfaces or become knotted.
8. To avoid electric shock, do not immerse the cord, plug or motor base in water (or other liquids).

SAFETY INFORMATION

9. The outer housing of the oven may be hot during and after cooking. Please do not touch hot surfaces. Always keep the power cord of this oven, and those of other appliances near the oven, clear from the oven housing.
10. The oven is not suitable to be used in a small appliance enclosure. Ensure to leave adequate space all around the oven. Minimum space of 4 inches/10cm is recommended.
11. Do not touch hot surfaces.
12. To avoid burns, use extreme caution when removing the included pizza pan or pizza stone as they might be very hot.
13. Do not place cardboard, plastic, paper, or other flammable materials in the oven.
14. Do not cover any part of the oven with metal foil. This will cause overheating of the oven.
15. We recommend using the dedicated pizza stone with the oven, although other cast iron/ carbon steel pans that fit are also suitable for usage.
16. Do not use non-stick or coated pans in the oven.
17. Oversized food and metal utensils must not be inserted in the oven as they may create fire or risk of electric shock.
18. To avoid any direct contact with the oven, a pizza peel should be used at all times when inserting a pizza into the cavity, unless cooking a pan pizza.
19. The use of accessories and attachments not recommended or supplied with this oven may cause injuries.
20. Do not store any materials, other than manufacturers recommended accessories, in this oven when not in use.
21. This appliance is for household use only. Do not use in any type of moving vehicles.
22. If the appliance is to be cleaned, moved, assembled or stored, always switch the unit off and allow it to cool completely, before unplugging it from the power outlet.
23. Do not clean with metal scouring pads. Pieces can break off the pad and touch electrical parts, creating a risk of electric shock.
24. Close supervision is necessary when the appliance is used by or near children.
25. Longer detachable power- supply cords or extension cords are available and may be used if care is exercised in their use.
26. It is recommended to regularly inspect the appliance and power cord.
27. Do not use the appliance if there is damage to the power cord or plug, or after the appliance malfunctions or has been damaged in any way. Immediately stop use and call Westinghouse Consumer Support.

SAFETY INFORMATION

28. We recommend operating the oven on a dedicated circuit separated from other appliances. Consult a licensed and qualified electrician if you are unsure.
29. This appliance is equipped with a power cord having
30. a grounding wire with a grounding plug. The appliance must be grounded using a 3-hole properly grounded outlet. In the event of an electrical short circuit, grounding reduces the risk of electrical shock.
31. Do not, under any circumstances, cut or remove the third (ground) prong from the power cord or use an adapter.
32. Consult a qualified electrician if the grounding instructions are not completely understood, or if doubt exists as to whether the appliance is properly grounded.
33. The installation of a residual current device (safety switch) is recommended to provide additional safety protection when using electrical appliances. It is advisable that a safety switch with a rated residual operating current not exceeding 30mA be installed in the electrical circuit supplying the appliance. See your electrician for professional advice.

WARNING

To prevent electric shock, unplug before cleaning.

SHORT CORD INSTRUCTIONS

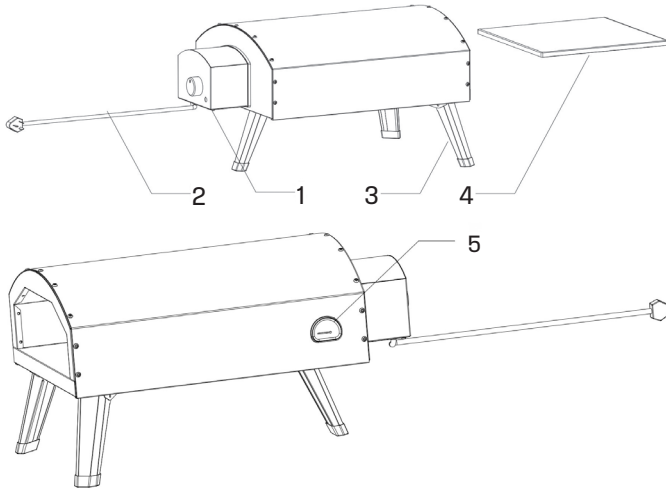
1. This appliance is fitted with a short power supply cord to reduce personal injury or property damage resulting from pulling, tripping or becoming entangled with a longer cord.
2. If an extension cord is used,
 - 1) the marked electrical rating of the cord set or extension cord should be at least as great as the electrical rating of the appliance,
 - 2) the cord should be arranged so that it will not drape over the countertop or table-top where it can be pulled on by children or tripped over unintentionally and
 - 3) the extension cord must include a 3-prong grounding plug.

FOR HOUSEHOLD USE ONLY
SAVE THESE INSTRUCTIONS

HOW TO USE

DESCRIPTION OF PARTS

COMPONENTS & DIAGRAM



Device Overview and Operating Elements

1. TEMP dial
2. Power cord
3. Stand feet (foldable)
4. Pizza stone
5. Thermometer

BEFORE FIRST USE

Functions

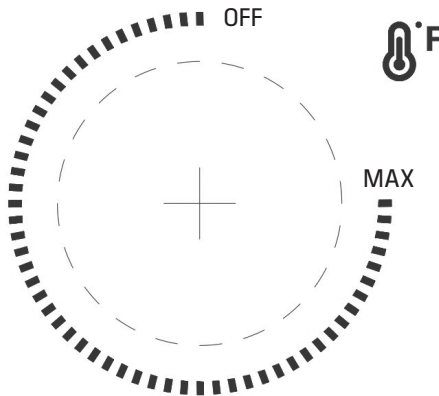
In order to remove any protective substances on the heating elements, it is necessary to run the oven empty for 20 minutes. Ensure the area is well ventilated as the oven may emit vapors. These vapors are safe and are not detrimental to the performance of the oven.

1. Remove and safely discard any packing material, promotional labels and tape from the oven.
2. Remove the pizza stone from its packaging and place the pizza stone in the oven cavity.
3. Wipe the interior of the oven with a soft, damp sponge.
4. Place the oven on a clean, flat, stable surface. Clear the space before moving your oven into position. Remove any flammable objects and materials, including table cloths. Think about ventilation when choosing a suitable place

HOW TO USE

for your oven. Very high cooking temperatures can sometimes cause food to burn, which can produce smoke. Ensure there is a minimum distance of 4" (10cm) of space on both sides of the oven and 6" (15cm) above.

- Unwind the power cord completely and insert the power plug into a grounded power outlet.
- Turn the dial to Max to start the oven.



- Let the oven run for 20 minutes.
- The oven is now ready to use.

NOTE

When you intend to transport the product; remove the pizza stone from inside the oven and pack separately to avoid breakage.

NOTE

Make sure the oven is preheated before placing the pizza in the cavity.

NOTE

- For high temperature cooking functions,
- we recommend you monitor and stay close to the oven as your food can quickly become overdone and eventually ignite.
- See Troubleshooting for more information.

WARNING

- After cooking, allow the oven to cool completely before unplugging from the wall. Fans will continue to run to cool the sensitive electronics. These fans will automatically turn off when the temperatures are at an acceptable level.

HOW TO USE

IMPORTANT NOTICE

Your pizza oven requires a full 20-amp electric power outlet to operate properly. Running it on a lower current outlet/circuit breaker may cause the grill and/or circuit to trip. To prevent power loss:

- An exterior outlet with a standard 20-amp circuit breaker is recommended.
- Unplug any other electrical devices, like patio lights, powered by the exterior outlet/circuit breaker before plugging in your grill.

If power is lost during use:

- Identify and unplug any other electrical devices that lost power at the same time and reset the breaker.
- Try using a different electrical outlet, if available. Check your owner's manual for recommended use of extension cords. If your circuit breaker continues to trip during use, consult a qualified electrician.

CLEANING AND CARE

- The appliance should not require any interior cleaning. Any food residue should burn off when in use. You can use the brush to sweep away excess debris on the stone.
- Over time the interior of the device may discolor slightly. This is completely normal.
- Don't use oven cleaners or metal scourers to clean your pizza oven because they will damage the machine, Wipe the outer body with a soft, damp sponge. A non-abrasive liquid cleanser or mild spray solution may be used to avoid build-up of stains. Apply the cleanser to the sponge, not the oven surface, before cleaning.
- To clean the outside of your pizza oven, wait until it's cool, unplug it and use a lightly damp cloth to wipe the oven body. Dry with a clean towel right away.
- Let all surfaces dry thoroughly prior to inserting the power plug into a power outlet and turning the oven on.

CLEANING AND CARE

Storing

- You can use the pizza oven outside. Store indoors in dry conditions when not in use.
- Only store the pizza stone inside the oven – don't store food or other items in the oven cavity.
- Do not lean on or put items on top of your device. Doing so could damage your oven.

Pizza Stone

1. DO NOT use the pizza stone over an open flame.
2. Avoid extreme temperature change to the stone. DO NOT place frozen foods onto the stone if using temperatures in excess of 350°F.
3. The stone is fragile and can break if bumped or dropped.
4. The stone is very hot during use and stays hot for a long time after use.
5. DO NOT cool the stone with water or use it when damp.
6. To clean off burned food marks, wait until the stone is cool, use two hands to carefully take it out of the oven, remove any loose or large debris, then flip it over and slide it gently back in. The debris on the underside of the stone will burn away the next time you use your appliance.
7. If your stone breaks: Turn your oven off, let it cool and unplug it before you remove the broken baking stone.

TROUBLESHOOTING

Problem	Possible reason	Solution
The appliance produces smoke when it is on.	Food is touching the heating element.	Switch off the product and reposition the food until it is not touching the heating element
	The food is smoking without touching the heating element.	Interrupt the grilling process immediately and allow the device to cool. Do not reheat the food.
The appliance is not responding or does not heat up.	Plug is not plugged in.	Insert the plug into the mains socket.
	The appliance is not switched on.	Push the power button at the back of the appliance.
	Timer has finished counting.	Turn on the appliance again.
	The fuse is broken.	Contact the authorized service agent.
	The appliance is overheated.	If the appliance overheats, it will automatically turn off the heating system for safety. Stop using the appliance and contact the authorized service agent.

If an error occurs, contact Westinghouse customer service at support.
Any other servicing should be performed by an authorized service representative.

DISPOSAL

Proper disposal of this product.



This symbol indicates that this appliance may not be treated as household waste. Instead, it should be taken to the appropriate collection point for recycling electrical and electronic equipment.

Please use the return or collections services available in your community or contact the retailer where you purchased this product.

INFORMATION AND SERVICE

If you have questions or concerns about your product, please visit our website:



<https://info.westinghousehomeware.com/>

In line with our policy of continuous product development, we reserve the right to change the product, packaging and documentation specifications without prior notice.

Model: WBGLEG1201C18

Voltage: 120 V~ 60 Hz

Power: 1800 W



® and Westinghouse are trademarks of Westinghouse Electric Corporation. Used under license by Westinghouse Homeware (HK) Co. All Rights Reserved.