



EUC70F

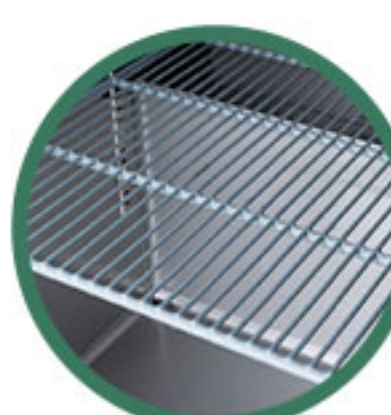
UNDERCOUNTER FREEZER

3-Door

TECHNICAL SPECIFICATIONS



Voltage/Frequency	115V/60Hz
Refrigerant	R290
Type of Defrost	Automatic
Interior Material	Stainless Steel
Exterior Material	Stainless Steel
Temperature Range °F	0 ~ -8°F
Compressor Power(HP)	3 / 4
Nema Config.	NEMA5-15P



Shelves



PVC Sealing Strip



Casters

BB Digital temperature controls with LED display for precise adjustment and automatic defrosting system.

❄ Temperature Range 33~40 °F, With auto defrost function, which ensures optimal performance day-in and day-out.

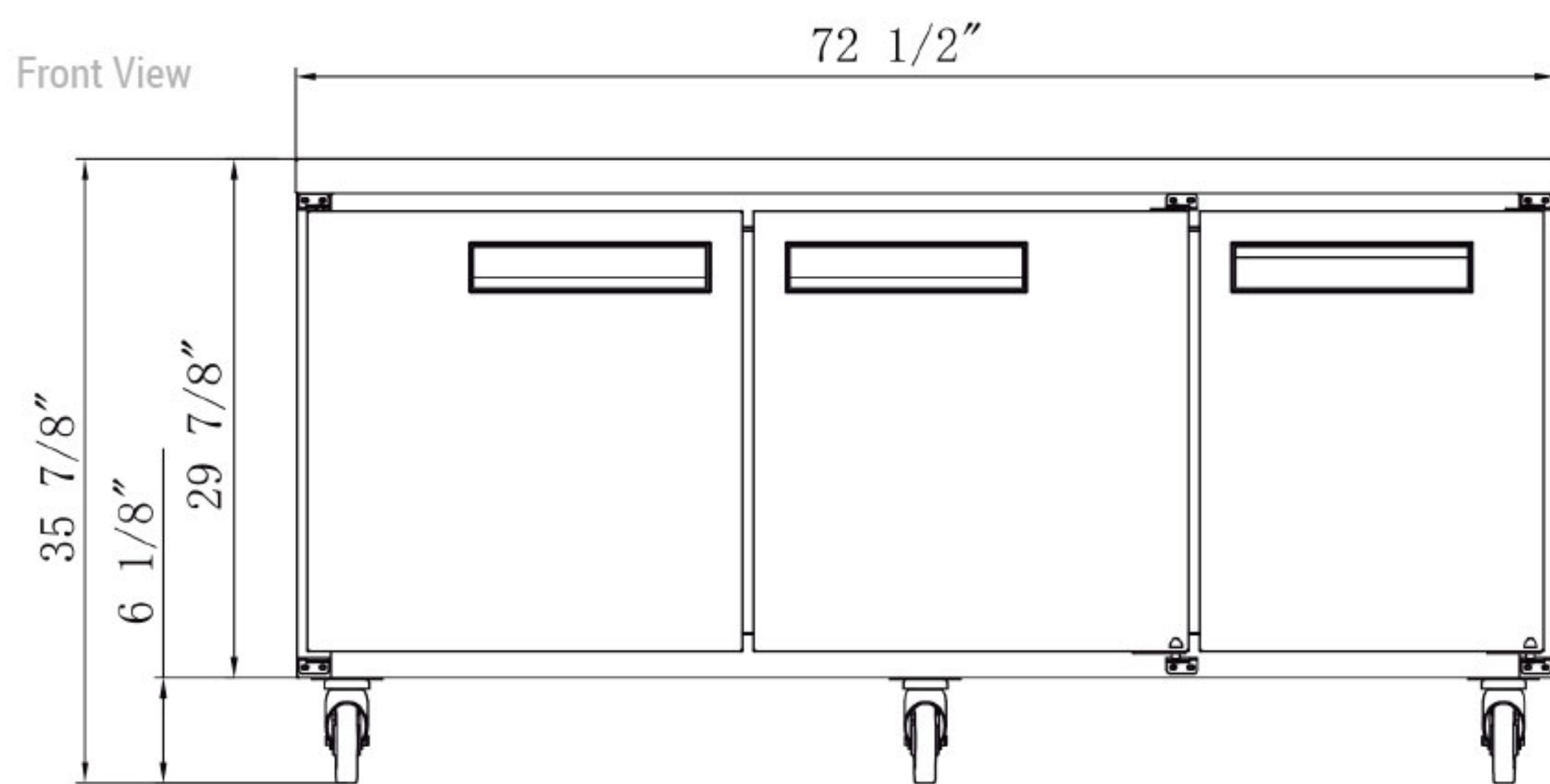
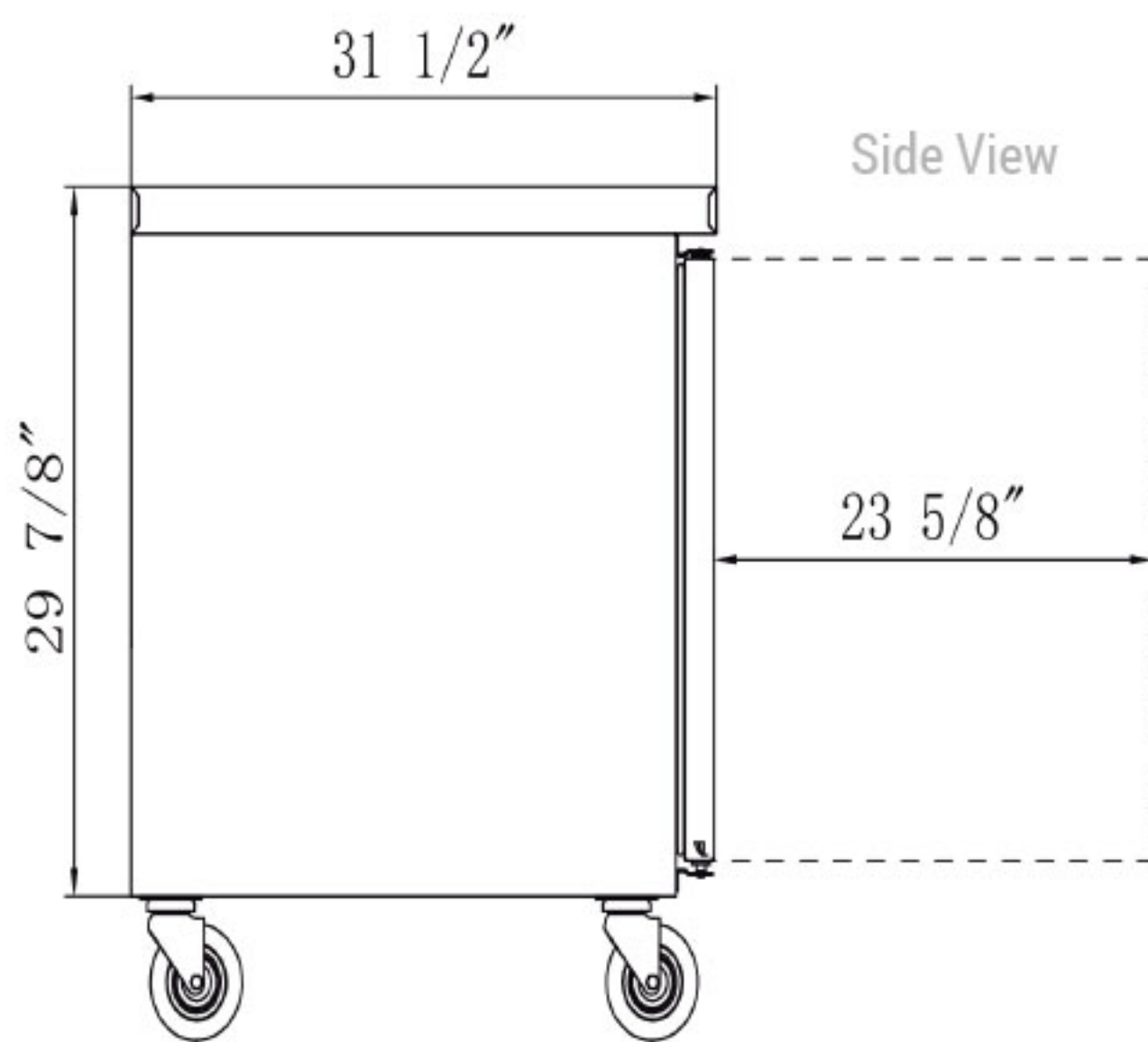
CONTACT US

310-400-6395
 INFO@ELITEKITCHEN.US
 WWW.ELITEKITCHEN.US

MODEL EUC70F

EUC70F

Rated Voltage	115V
Rated Frequency	60Hz
Total Input Power	1050W
Total Current	8.0A
Total Capacity	18.96 cu ft
Climatic Category	4-5
Protection Type	I
Design Pressure High Side	300 PSIG
Design Pressure Low Side	150 PSIG
Insulation Blowing Gas	C-Pentane
Refrigerant	R290/4.76 oz



MODEL	EXTERNAL DIMENSION WXD XH(INCHES)	PACKAGING DIMENSION WXD XH(INCHES)	PRODUCT NET WEIGHT	# OF SHELVES	40HQ CONTAINER CERT.
EUC30R	72 1/2 x 31 1/2 x 36	73 7/8 x 33 1/8 x 39 3/8	242 lbs	3	28



310-400-6395
 INFO@ELITEKITCHEN.US
 WWW.ELITEKITCHEN.US