



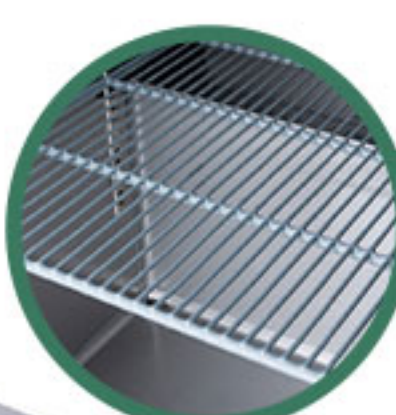
EUC30R

UNDERCOUNTER REFRIGERATOR

Single Door

TECHNICAL SPECIFICATIONS

Voltage/Frequency	115V/60Hz
Refrigerant	R290
Type of Defrost	Automatic
Interior Material	Stainless Steel
Exterior Material	Stainless Steel
Temperature Range °F	33~41°F
Compressor Power(HP)	1/7+
Nema Config.	NEMA5-15P



Shelves



PVC Sealing Strip



Casters

BB Digital temperature controls with LED display for precise adjustment and automatic defrosting system.

❄️ Temperature Range 33~40 °F, With auto defrost function, which ensures optimal performance day-in and day-out.

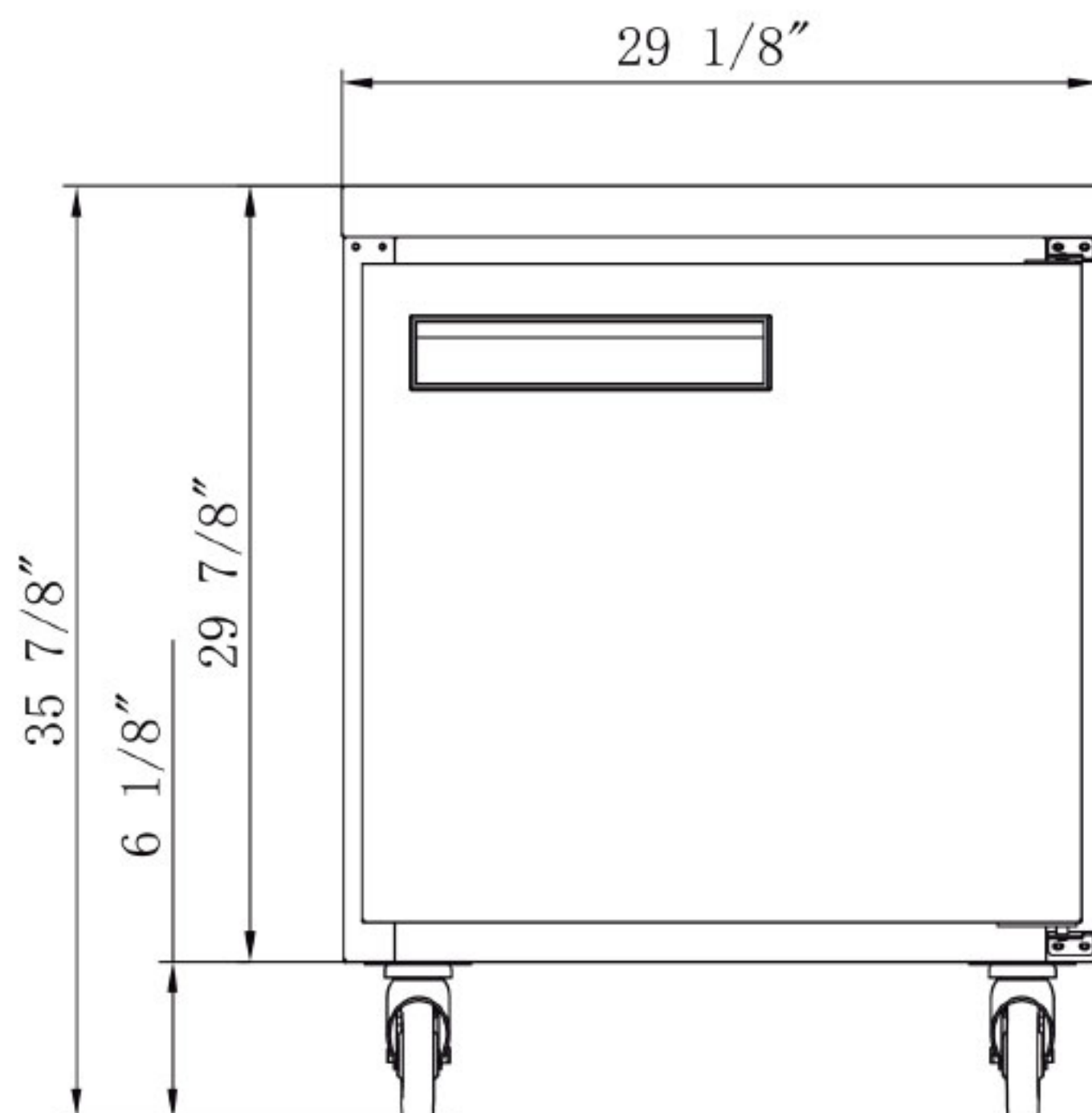
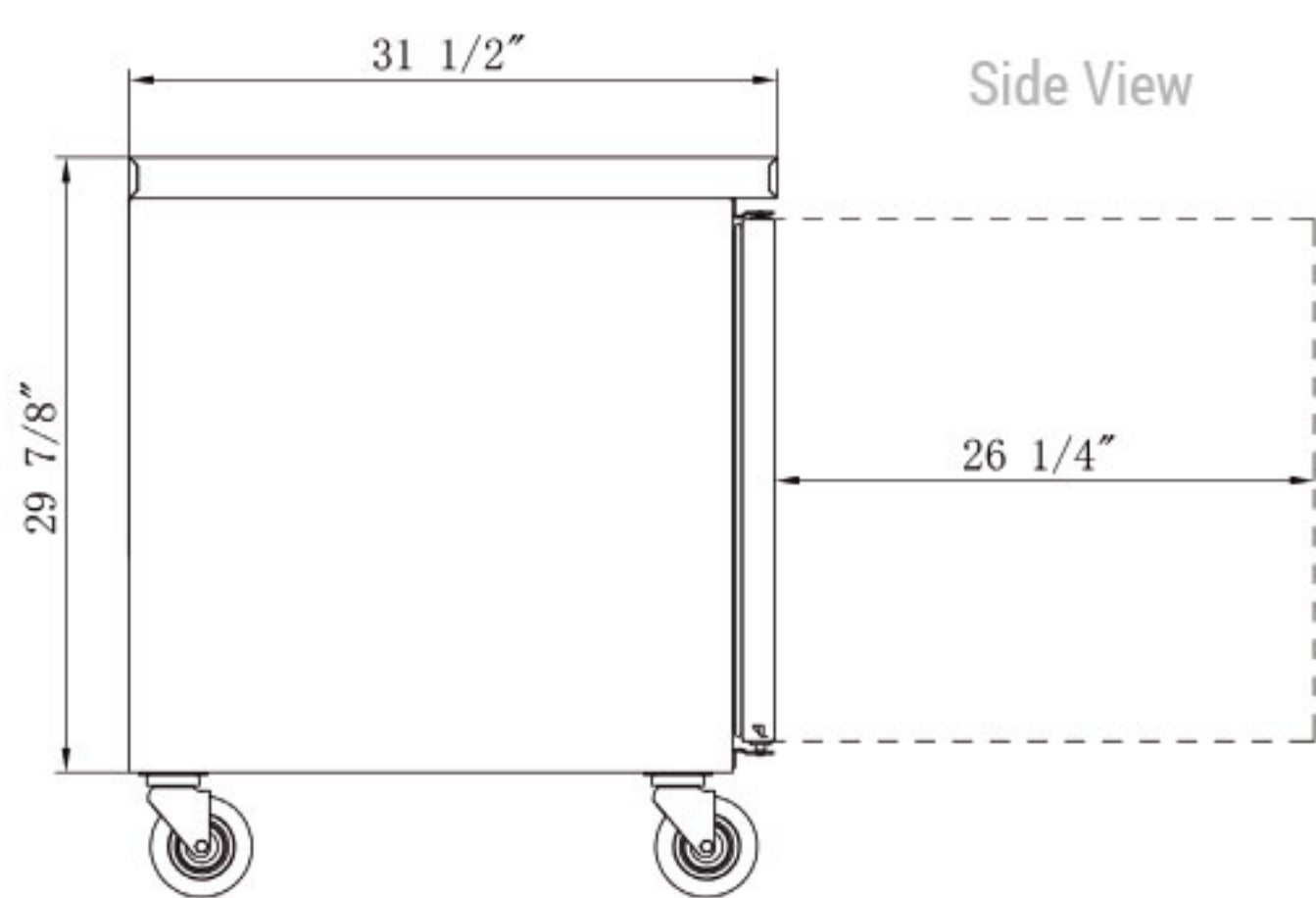
CONTACT US

310-400-6395
 INFO@ELITEKITCHEN.US
 WWW.ELITEKITCHEN.US

MODEL EUC30R

EUC30R

Rated Voltage	115V
Rated Frequency	60Hz
Total Input Power	225W
Total Current	2.0A
Total Capacity	6.99 cu ft
Climatic Category	4-5
Protection Type	I
Design Pressure High Side	300 PSIG
Design Pressure Low Side	150 PSIG
Insulation Blowing Gas	C-Pentane
Refrigerant	R290/2.82 oz



MODEL	EXTERNAL DIMENSION WXD(XH)(INCHES)	PACKAGING DIMENSION WXD(XH)(INCHES)	PRODUCT NET WEIGHT	# OF SHELVES	40HQ CONTAINER CERT.
EUC30R	29 1/8 x 31 1/2 x 36	30 1/2 x 33 1/8 x 39 3/8	158 lbs	1	60



310-400-6395
 INFO@ELITEKITCHEN.US
 WWW.ELITEKITCHEN.US