



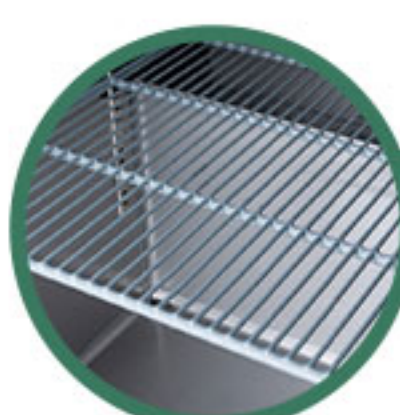
ESP61

SALAD PREP TABLE

2- Door / Mega Top

TECHNICAL SPECIFICATIONS

Voltage/Frequency	115V/60Hz
Refrigerant	R290
Type of Defrost	Automatic
Interior Material	Stainless Steel
Exterior Material	Stainless Steel
Temperature Range °F	33~41 °F
Compressor Power(HP)	1/5
Nema Config.	NEMA5-15P



Shelves



Unique Handil Design



Casters

BB Digital temperature controls with LED display for precise adjustment and automatic defrosting system.

❄ Temperature Range 33~40 °F, With auto defrost function, which ensures optimal performance day-in and day-out.

CONTACT US

310-400-6395
 INFO@ELITEKITCHEN.US
 WWW.ELITEKITCHEN.US

MODEL ESP61

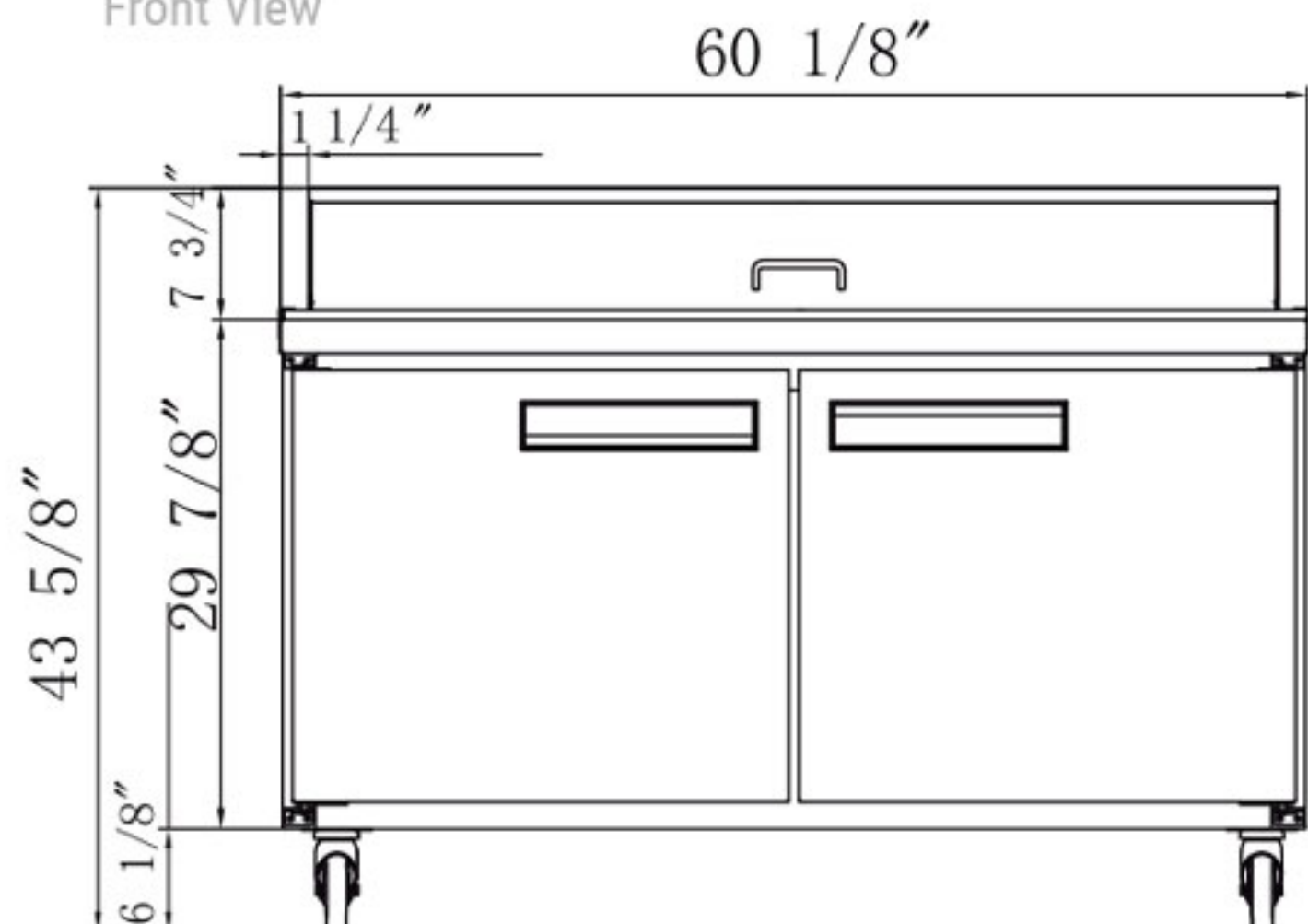
ESP61

Cutting Board Size	60 × 14.5
Rated Voltage	115V
Rated Frequency	60Hz
Total Input Power	280W
Total Current	2.4A
Total Capacity	14.33 cu ft
Climatic Category	4-5
Protection Type	I
Design Pressure High Side	300 PSIG
Design Pressure Low Side	150 PSIG
Insulation Blowing Gas	C-Pentane
Refrigerant	R290/3.88 oz

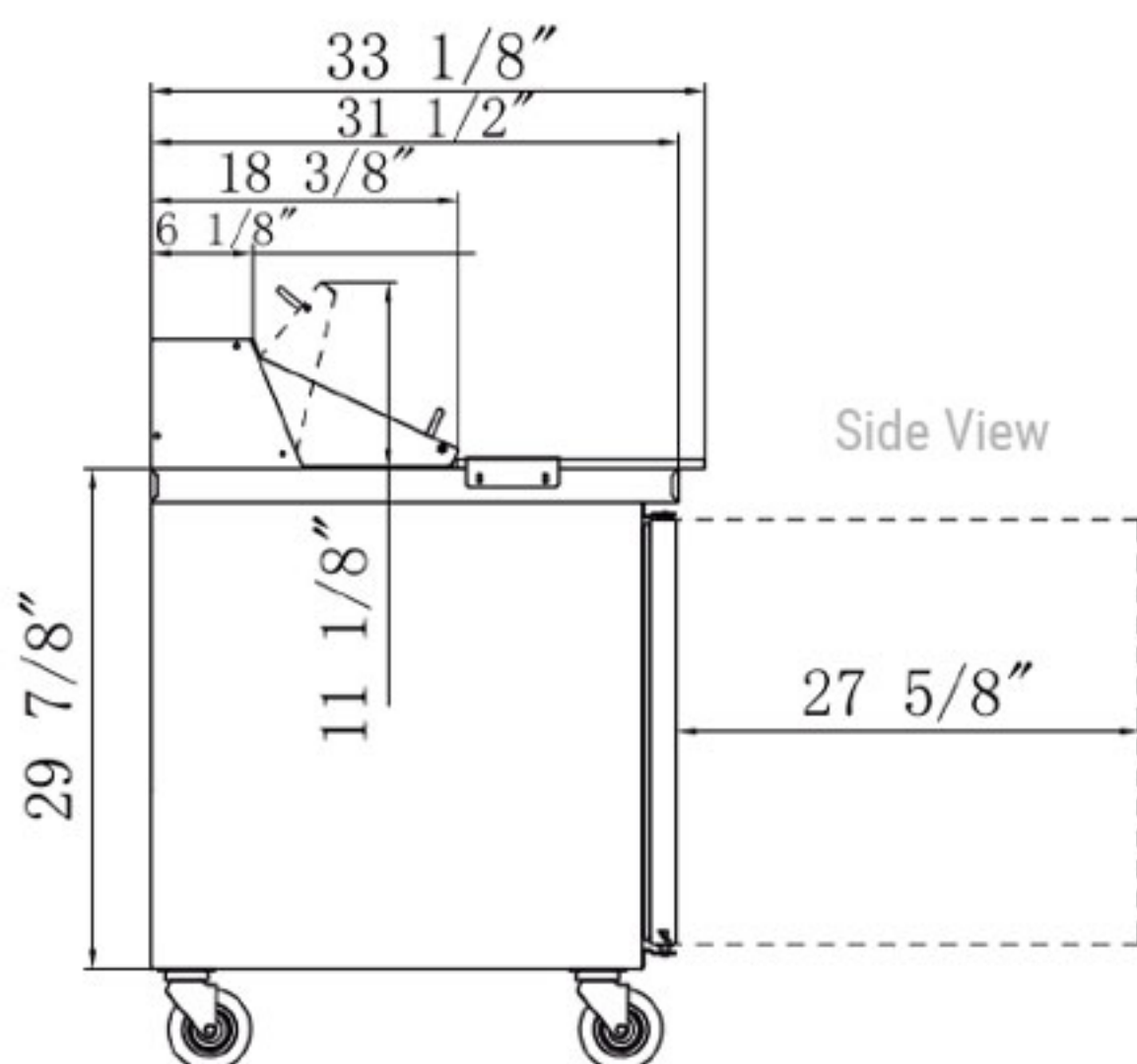
1/6 PAN COUNT:16



Front View



Side View



MODEL	EXTERNAL DIMENSION WXDXH(INCHES)	PACKAGING DIMENSION WXDXH(INCHES)	PRODUCT NET WEIGHT	# OF SHELVES	40HQ CONTAINER CERT.
ESP61	60 1/8 × 31 1/2 × 43 5/8	64 3/8 × 35 7/8 × 48 3/8	275 lbs	2	28



310-400-6395
 INFO@ELITEKITCHEN.US
 WWW.ELITEKITCHEN.US