



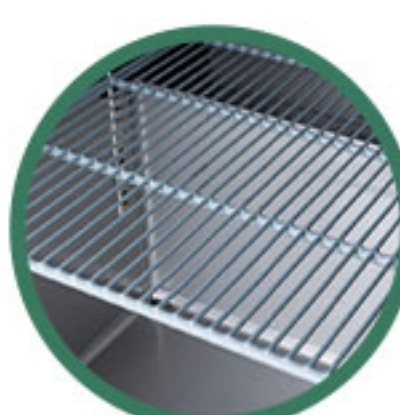
# ESP51

## SALAD PREP TABLE

2- Door / Mega Top

### TECHNICAL SPECIFICATIONS

Voltage/Frequency	115V/60Hz
Refrigerant	R290
Type of Defrost	Automatic
Interior Material	Stainless Steel
Exterior Material	Stainless Steel
Temperature Range °F	33~41 °F
Compressor Power(HP)	1/5
Nema Config.	NEMA5-15P



**Shelves**



**Unique Handil Design**



**Casters**

BB Digital temperature controls with LED display for precise adjustment and automatic defrosting system.

❄ Temperature Range 33~40 °F, With auto defrost function, which ensures optimal performance day-in and day-out.

### CONTACT US

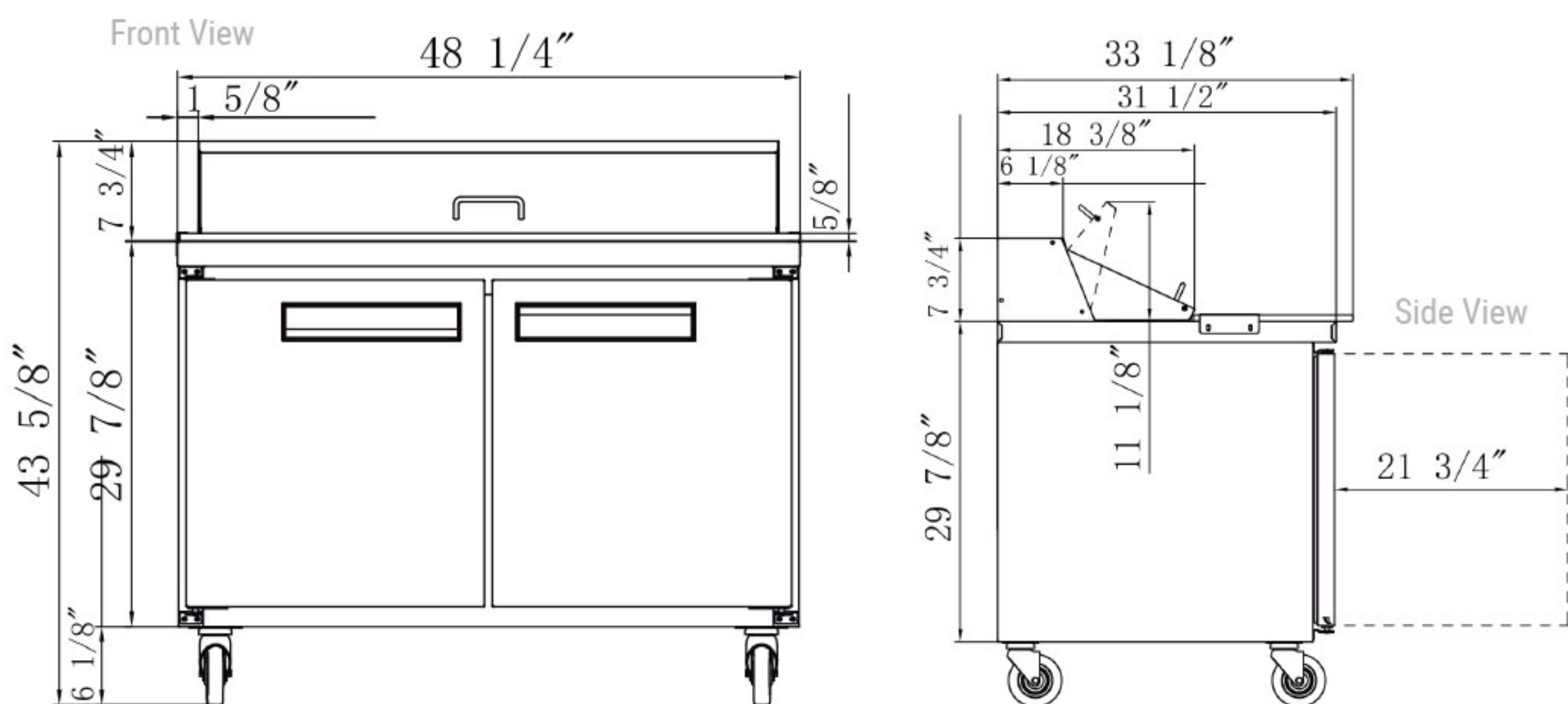
310-400-6395  
 INFO@ELITEKITCHEN.US  
 WWW.ELITEKITCHEN.US

## MODEL ESP51

### ESP51

Cutting Board Size	48 × 14.5
Rated Voltage	115V
Rated Frequency	60Hz
Total Input Power	280W
Total Current	2.4A
Total Capacity	11.47cu ft
Climatic Category	4-5
Protection Type	I
Design Pressure High Side	300 PSIG
Design Pressure Low Side	150 PSIG
Insulation Blowing Gas	C-Pentane
Refrigerant	R290/3.17 oz

### 1/6 PAN COUNT:12



MODEL	EXTERNAL DIMENSION WXD XH(INCHES)	PACKAGING DIMENSION WXD XH(INCHES)	PRODUCT NET WEIGHT	# OF SHELVES	40HQ CONTAINER CERT.
ESP51	48 1/8 × 31 1/2 × 44	52 1/2 × 35 7/8 × 48 3/8	231 lbs	2	42



310-400-6395  
 INFO@ELITEKITCHEN.US  
 WWW.ELITEKITCHEN.US