

4MP LightHunter WDR Network Box Camera

IPC544SE-DK-IO



Key Features



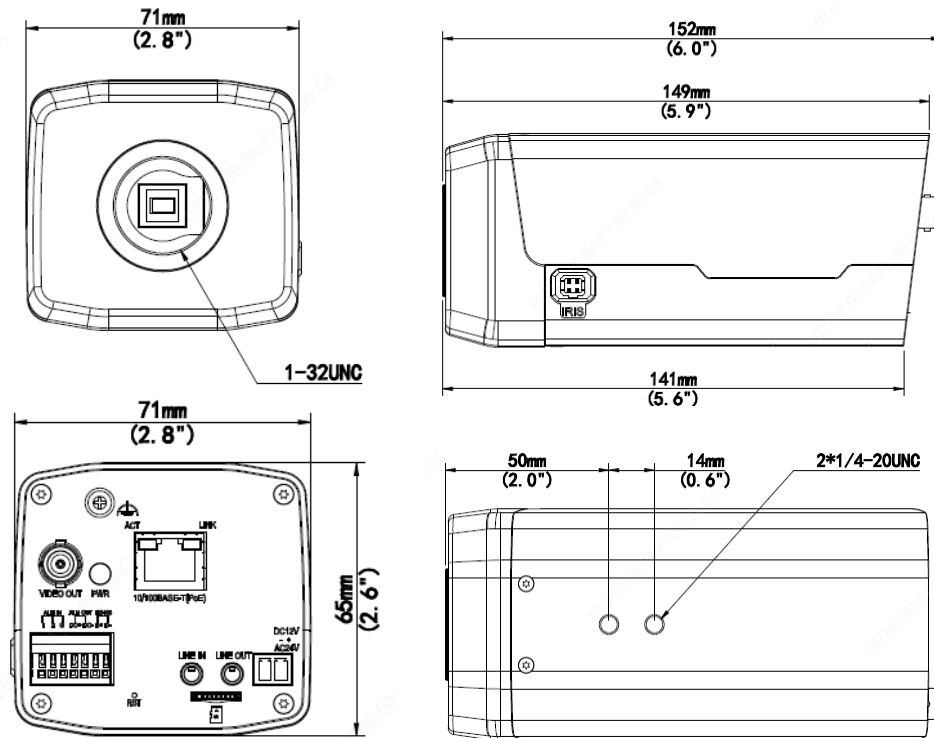
- High quality image with 4MP,1/1.8" CMOS sensor
- 2688*1520@30fps in the main stream
- Ultra 265, H.265, H.264, MJPEG
- Triple streams
- Smart intrusion prevention, support false alarm filtering, include Cross Line, Intrusion, Enter Area, Leave Area detection
- People Counting, support people flow counting and crowd density monitoring, suitable for different statistical scenarios
- LightHunter technology ensures ultra-high image quality in low illumination environment
- Up to 120 dB Optical WDR (Wide Dynamic Range)
- DC12V or AC24V or PoE (IEEE 802.3af) power supply
- Wide voltage range of $\pm 25\%$
- Audio 1 in and 1 out, Alarm 2 in and 1 out

Specifications

	IPC544SE-DK-I0
Camera	
Sensor	1/1.8", 4.0 megapixel, progressive scan, CMOS
Min. Illumination	Colour:0.0005lux (F1.2, AGC ON) B/W: 0.0001Lux(F1.2, AGC ON)
Day/Night	IR-cut filter with auto switch (ICR)
Shutter	Auto/Manual, 1 ~ 1/100000s
WDR	120dB
S/N	>56dB
ABF	N/A
Lens	
Lens Mount	C/CS
Iris	DC-Iris/P-Iris, DC 5V (4 Pins)
Video	
Video Compression	Ultra 265, H.265, H.264, MJPEG
Frame Rate	Main Stream: 4MP (2688*1520),Max 30fps; Sub Stream: 720P (1280*720), Max 30fps; Third Stream: D1 (720*576), Max 30fps
Video Bit Rate	128 Kbps~16 Mbps
ROI	Up to 8 areas
Video stream	Triple streams
OSD	Up to 8 OSDs
Privacy Mask	Up to 4 areas
Image	
White Balance	Auto/Outdoor/Fine Tune/Sodium Lamp/Locked/Auto2
Digital noise reduction	2D/3D DNR
Flip	Normal/Flip Vertical/Flip Horizontal/180°/90° Clockwise/90° Anti-clockwise
HLC	Support
BLC	Support
Defog	Digital Defog
Intelligent	
Smart intrusion prevention	Support false alarm filtering: Cross Line detection, Intrusion detection, Enter Area detection, Leave Area detection
People counting	Support people flow counting and crowd density monitoring
Exception Detection And Statistics	Object Removed, Object Left Behind, Scene Change
Events	
Basic Detection	Motion detection, Audio detection, Tampering alarm
General Function	Watermark, IP Address Filtering, Alarm input, Alarm output, Access Policy, ARP Protection, RTSP Authentication, User Authentication
Audio	
Audio Compression	G.711U, G.711A
Audio Bitrate	64 Kbps
Suppression	Support
Sampling Rate	8k Hz,16k Hz
Storage	

Edge Storage	Micro SD, up to 256 GB
Network Storage	ANR,NAS(NFS)
Network	
Protocols	IPv4, IGMP, ICMP, ARP, TCP, UDP, DHCP, PPPoE, RTP, RTSP, RTCP, DNS, DDNS, NTP, FTP, UPnP, HTTP, HTTPS, SMTP, 802.1x, SNMP, QoS, RTMP,SSL/TLS
Compatible Integration	ONVIF (Profile S, Profile G, Profile T), API,SDK
User/Host	Up to 32 users. 3 user levels: administrator, operator and common user
Security	Password protection, strong password, HTTPS encryption, basic and digest authentication for RTSP, digest authentication for HTTP, TLS 1.2, WSSE and digest authentication for ONVIF
Client	EZStation EZView EZLive
Web Browser	Plug-in required live view: IE 10 and above, Chrome 45 and above, Firefox 52 and above, Edge 79 and above
	Plug-in free live view: Chrome 57.0+, Firefox 58.0+, Edge 16+, Safari 11+
Interface	
Audio I/O	1/1
Alarm I/O	2/1
Serial Port	1 RS485
Built-in Mic	N/A
Built-in Speaker	N/A
Network	1 * RJ45 10M/100M Base-TX Ethernet
Video Output	1 BNC
Certification	
EMC	CE-EMC (EN 55032: 2015+A1:2020,EN 61000-3-3: 2013+A1: 2019,EN IEC 61000-3-2: 2019+A1: 2021,EN 55035: 2017+A11:2020) FCC (FCC CFR 47 part15 B, ANSI C63.4-2014)
Safety	CE LVD (EN 62368-1:2014+A11:2017) CB (IEC 62368-1:2014) UL (UL 62368-1, 2nd Ed., Issue Date: 2014-12-01)
Environment	CE-RoHS (2011/65/EU;(EU)2015/863); WEEE (2012/19/EU); Reach (Regulation (EC) No 1907/2006)
Protection	N/A
General	
Power	DC12V(±25%), AC24V(±25%), PoE(IEEE 802.3af)
	Power consumption: Max 8W
Power Interface	Two-core terminal block
Dimensions (L x W x H)	152 x 71 x 65mm (6.0" x 2.8" x 2.6") (excluding the lens)
Weight	0.38kg (0.84lb)
Working Environment	-20°C ~ 60°C (-4°F ~ 140°F), Humidity: ≤95% RH (non-condensing)
Reset button	Support

Dimensions



Accessories

TR-WM06-C-IN

Wall Mount



TR-UM06-A-IN

Pendant Mount



TR-UP06-IN

Pole Mount



TR-UV06-A-IN

3D Bracket Mount