



Electronic
Door Locks



SECURITY
SINCE 1920

THE SMARTLOCKS FOR YOUR REQUIREMENTS

Convenient and secure: modern door opening without a key –
for houses, flats and companies. See for yourself!



secu **ENTRY** home & easy

www.burg.biz

BURG-WÄCHTER

secu **ENTRY** home & easy

Award-winning! BURG-WÄCHTER received the renowned PLUS X Award in 2022 as "Most Innovative Brand of the Year".

BURG-WÄCHTER electronic door locking systems

SIMPLY OPEN THE DOOR SMARTLY

Step into the modern world of opening doors! Very smart, very simple. And not to forget: very practical! After all, you will never lose, misplace or lend a key ever again. With the secuENTRY home and secuENTRY easy Smartlocks, you always have your key with you because you open your door with a code, fingerprint, using the new and of course free BURGsmart app or with a radio key.

The major advantage with both series: the secuENTRY door lock is very easy to install. No drilling, no laying cables, no measurements are required beforehand. You simply replace your old door cylinder with the secuENTRY electronic door lock in just a few simple steps. Anyone who has experienced this new "keyless freedom" will never want to do without it again. See for yourself!

“ We live with three generations and eight people under one roof. The grandparents’ generation can cope with opening doors with a code, but they rarely use their smartphones. ”

secuENTRY easy can be used flexibly for your family. With the fingerprint variant, parents and grandparents can enter the house by code or fingerprint. Opening by fingerprint is also ideal for children. As they then don’t have a code to reveal or a radio key to lose.

WHICH SYSTEM IS RIGHT FOR ME?

Your questions. Our solutions!

“ Opening by fingerprint is important to me because I want to be able to leave the house without a smartphone or radio key. ”

secuENTRY easy is the right choice for you. As you can use it to open and lock your front door with your fingerprint or alternatively with a numerical code.

“ We are looking for a Smartlock for beginners to familiarise ourselves with how to use it. ”

secuENTRY home offers many options. The set with electronic cylinder and pincode keypad is excellent value for money.

“ It’s just the two of us and we never leave the house without our smartphones. ”

In that case, secuENTRY home is suitable for you. In addition to an admin code, the system saves an additional user code and up to five smartphone users or radio keys (SE-Key).

“ We have a small holiday home an hour away that we occasionally rent out. However, handing over the keys on site costs time and money. ”

Use secuENTRY easy in your holiday home combined with the secuENTRY Bridge. The BURGsmart app allows you to assign an individual user code, which you simply send to your guest by text message or e-mail upon arrival.

“ We are a small company with about 15 employees. Is a Smartlock even suitable for us? ”

Absolutely! Because with secuENTRY no keys will ever be lost again. It can be very annoying and expensive when all the keys have to be replaced. With secuENTRY easy, employees and service staff have access using a personalised code or fingerprint. Thanks to the opening history, you always know who opened the door and when.

“ I often get held up at the office and want to still be able to open my front door for friends on the way. So they can already go into the house while I’m heading home. ”

secuENTRY easy offers this modern option for remote opening. Send the door opening signal to the secuENTRY Bridge using the BURGsmart app already your guests can enter.

CONTENT

The systems at a glance

secuENTRY home 8

The basic model from BURG-WÄCHTER

The entry-level Smartlock for houses and flats:
for opening by app, code or radio key for up to five people.
Easy installation, no measuring.

secuENTRY easy 19

The premium model from BURG-WÄCHTER

The top Smartlock for houses, flats, offices or holiday homes:
opening by fingerprint, code, radio key and even remotely.
If administered via the free BURGsmart app for up to 15 users or for up to
2.000 users with ENTRY Pro, the optional PC software for which a fee is charged.
Easy installation, no measuring.

Safe. Smart. And of course without a key.

YOUR NEW CONVENIENT OPENING

Keys are a nuisance. Keys are never to hand when you need them. With secuENTRY home you will never need a key again! You can conveniently open your new Smartlock using the free BURGsmart app for iOS and Android. If you want, you can supplement the system with the pincode keypad for opening with a numerical code. Or use the handy radio key to open the door.

secuENTRY home is ideal for all front doors – be it your own home's or a rented flat's! Because you can replace the old mechanical cylinder with the new electronic door cylinder in just a few minutes. Anyone can do it. No technical knowledge is required – just one screw is loosened during assembly.



secu **ENTRY** home



Door opener: secuENTRY home can be opened easily using our modern pincode keypad, if required. Simply enter the six-digit code you set yourself, turn the knob and enter.

Cylinder + app = no more searching for a key

Be more flexible than ever!

What do we always have on us these days? Our smartphones, of course. So why not simply convert it into a key? BURG-WÄCHTER makes this possible! To open your front door, all you need is the secuENTRY home electronic cylinder and the free BURGsmart app. It's that easy! **And of course opening the door is absolutely secure.** Because the Bluetooth transmission between the app and the cylinder is AES-encrypted. At the same time, the modern Bluetooth standard 5.2 LE ensures a long range with low power consumption. Making a Smartlock great fun!

A short walk with the dog. All you need is its lead, not any keys!

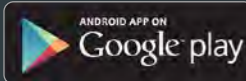


Party without obstructions. Whether at your friends place or at the club: Have fun at the party - forget about "where to put" the keys.



BURGsmart app *

secuENTRY home cylinder



BURGsmart app: available free of charge from your app store.

* Smartphone is not included in delivery.



WHETHER IT'S PARENTS, CHILDREN OR GRANDMA AND GRANDPA. WITH secuENTRY home, EVERY GENERATION WILL FIND THEIR OPENING METHOD FOR THE FRONT DOOR. BUT NOBODY NEEDS A KEY ANYMORE. SO YOU'LL NEVER HAVE TO LISTEN TO THESE AGAIN: I'VE LOST MY KEY, I'VE FORGOTTEN MY KEY, THE KEY GOT STUCK OR THE KEY BROKE IN THE LOCK.



When you're away, the neighbour takes care of your plants. They simply open the door using the handy radio key.



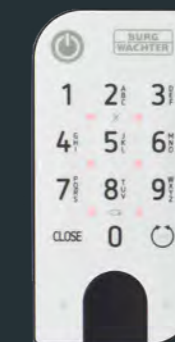
For the whole family!

We all know the feeling: whether it's at the swimming pool or lake, a key is simply annoying when you spontaneously want to have fun swimming! After all, it's difficult to find a good, safe place to put the key. And a small key can get lost so easily in the chaos of the parents and children's clothes, swim rings, sunscreen and provisions. It's good to know that with secuENTRY home you can easily open the front door at home with your smartphone after having fun swimming.

Kids are only too happy to forget their keys, but they definitely won't forget their smartphones! Thanks to secuENTRY home, the children always have their key with them and are never left standing in front of a locked door. Whether they're coming from school or from friends. Another advantage: they can no longer lose the key. And youngsters guard their smartphones like their life depends on it anyway ...

For all cases: open the door by radio key or numerical code.

Opening the door at the touch of a button: the secuENTRY radio key makes this possible. Not just for you and your family. Also extremely useful for friends or relatives to check in when you're not at home.



Opening the door with a numerical code has definitely proven its worth. Older generations in particular do not always have their smartphones on them to open doors using the app. **The solution: the secuENTRY keypad for entering the administrator code.** You can

change the numerical code at any time. And the numbers are illuminated so your family can get into the house safely even in the dark.

secuENTRY home at a glance

The smart way into your home.

BURGsmart app
Smartphone is not included in delivery



Open **front doors** using your smartphone ...

One door, three smart options: with secuENTRY home, you decide how the door should be opened. While young people go for smartphones, others prefer to use a code or radio key. The modern door lock offers all these options.



... by code using the secuENTRY pincode keypad ...



secuENTRY pincode keypad
ENTRY 7711 keypad PIN

... or using the radio key.



secuENTRY radio key
ENTRY sE-Key 7713

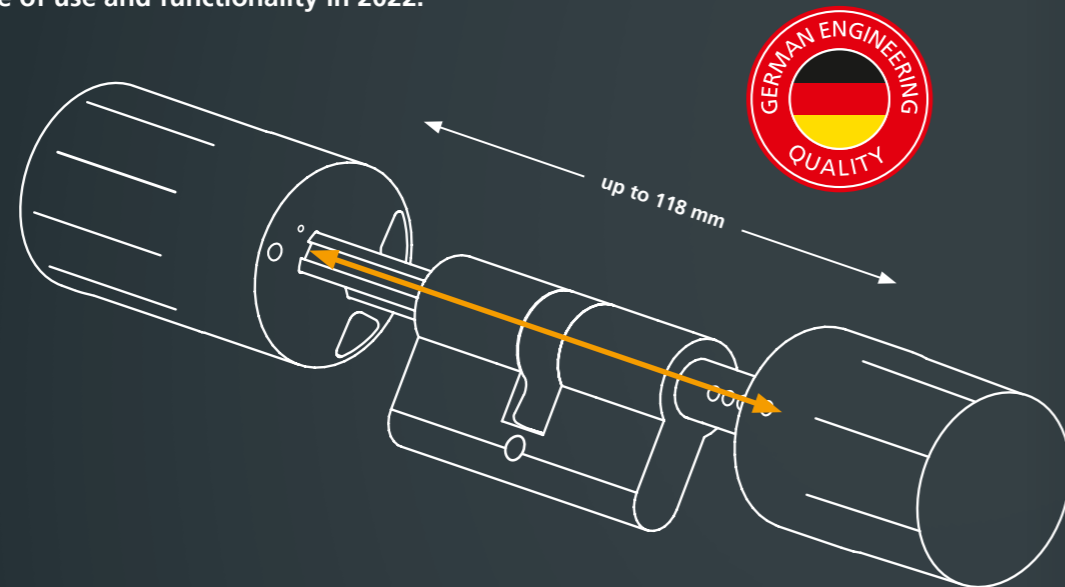
In detail: the secuENTRY home cylinder – ENTRY 5000 CYL

CONVINCING INNER QUALITIES

THE ELECTRONIC DOOR CYLINDER COMBINES VARIABLE SETTINGS WITH MODERN TECHNOLOGY. FOR CONVENIENT USE. EVERY DAY!

It is only when you pull the secuENTRY home apart that it reveals its full size because a clever system for clicking the cylinder into place is hidden inside it. The major advantage: it is not necessary to take any measurements before assembly. The Smartlock is suitable for all door thicknesses up to a maximum of 118 millimetres (59 mm / 59 mm). Once you have replaced the old cylinder, you have installed a real Smartlock. Your search for a bulky attachment that turns the old door cylinder mechanically will be in vain. A rotary knob is mounted on the inside and outside of the cylinder. You open and close the front door with this.

The secuENTRY home door cylinder received the PLUS X Award for high quality, ease of use and functionality in 2022.



secu **ENTRY** home



This is how a secuENTRY home door cylinder works.

Outer knob: When the cylinder registers an opening signal from a code, app or radio key, the knob can be turned to open the door. After about seven seconds, the knob is idle again and the door cannot be opened by anyone unauthorised.

Profile cylinder: The secuENTRY home electronic door cylinder replaces the old mechanical locking cylinder. The length of the secuENTRY cylinder can be adjusted to all common door thicknesses in just a few simple steps by clicking it to the right setting. There is no need to take any measurements before purchasing it. So there is no risk of buying the wrong cylinder for your door.

Cam: The cam is located in the middle of the locking cylinder. When the cylinder receives a correct signal to open or close the door, the cam moves the door lock to the desired position when the knob is turned.

EXCLUSIVE TO BURG-WÄCHTER! You adapt the secuENTRY home cylinder exactly to your front door by clicking it to the right setting. The maximum thickness is 118 millimetres (59 mm / 59 mm).

Inner knob: This is where the batteries are inserted. The knob receives the secure Bluetooth signal to open the door. Unlike the outside knob, the inside knob has constant access to the lock. So you can always open or close the door from the inside. This is important so you can leave the house or flat quickly in an emergency!

The secuENTRY home opening methods

Secure access. To suit you!

A NORMAL LOCK ONLY HAS ONE OPTION TO OPEN IT – THE KEY.
WITH secuENTRY home WE ADAPT TO YOUR NEEDS.
YOU HAVE THE CHOICE OF HOW YOU WANT TO ENTER YOUR HOUSE OR FLAT IN FUTURE.

1. secuENTRY pincode keypad

We have been using secret numerical codes in everyday life for a long time. Be it the pincode for our debit card, on our smartphone or at work. With secuENTRY home, BURG-WÄCHTER is also using tried and tested methods for opening doors. You open the front door with a six-digit administrator code that can be changed at any time. The pincode keypad transmits an encrypted Bluetooth signal (max. range: four metres) to the door cylinder in accordance with the latest 5.2 LE standard. The keypad is either mounted on the wall using adhesive tape or screwed on.

2. secuENTRY radio key

Entry at the touch of a button. The sE-Key 7713 radio key makes this possible. The radio key is the convenient way for neighbours or acquaintances to open your front door, e.g. to water your plants, bring the post in or feed your cat while you're on holiday. A maximum of five radio keys can be registered. Extra security: If a radio key is lost, the opening rights are withdrawn really easily using the BURGsmart app.

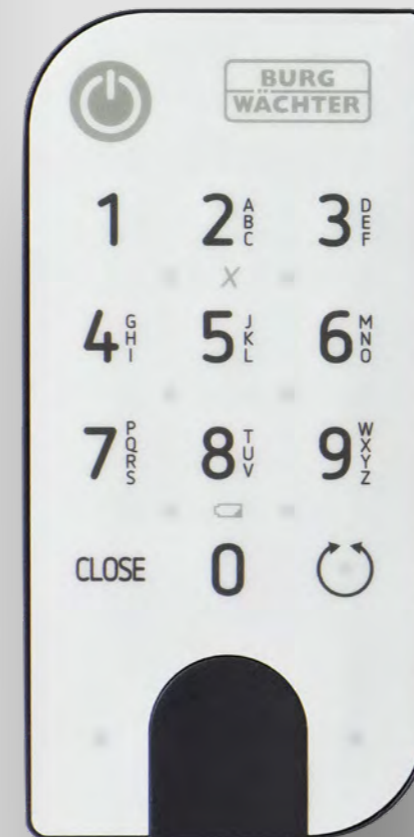
3. BURGsmart app

Modern, intuitive, free: you can open the front door easily using the BURGsmart app for iOS and Android. We always have our smartphones with us anyway. Up to five smartphone users can be registered. You can also use the app to change the administrator code for the keypad and register and delete the radio keys used.



The secuENTRY pincode keypad won the PLUS X Award and was honoured for high quality, design, ease of use and functionality.

Modern look, latest technology: the secuENTRY pincode keypad.



1

Handy and practical: the sE-Key 7713 radio key.



2

At a glance: Your advantages with the BURGsmart app

With secuENTRY home, your smartphone not only becomes a key, but also an administrative unit. As an administrator, you manage all the users who should be able to open your door. You choose between opening by keypad, radio key or of course directly in the app.

If you decide to open the door using the app, all you need is the secuENTRY home door cylinder. **Up to five users can open the Smartlock with the BURGsmart app.** Ideal for use in houses and flats – for singles, couples and families.

Smartphone is not included in delivery.



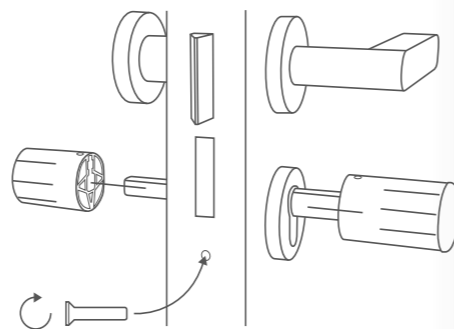
3 Smartphone is not included in delivery.

Annoying assembly? Not with secuENTRY!

With a normal, mechanical door cylinder, you have to determine the exact door dimensions before purchasing one. This is not necessary with our secuENTRY cylinders! Exclusive to BURG-WÄCHTER, the electronic door cylinders fit universally on all doors up to a maximum thickness of 118 millimetres (59/59 mm). For comparison: A standard front door is usually between 60 and 70 millimetres thick. You can fix your secuENTRY door lock in the right position in just a few simple steps by clicking the cylinder easily into the right setting.

Incidentally, you do not need any great manual skills for assembly. **You don't have to drill, lay cables or remove any existing fittings.** An internet connection is also not necessary. After loosening the forend screw (on the inside of the door under the lock), simply replace the old, mechanical cylinder with the secuENTRY door cylinder. You set the cylinder to the right size for your door by clicking it into the right setting and your new door lock is already assembled and ready to use!

The universal cylinder:
Remove the old cylinder, replace
it with a secuENTRY cylinder and
adjust it to your door thickness,
tighten the screw.
Done!



secu **ENTRY** easy

The premium model from
BURG-WÄCHTER

The top Smartlock for houses, flats, offices or holiday homes:
opening by fingerprint, code, radio key and even remotely.
If administered via the free BURGsmart app for up to 15 users or for up to
2.000 users with ENTRY Pro, the optional PC software for which a fee is charged.
Easy installation, no measuring.

Opening doors has never been so smart!

YOUR FINGER BECOMES THE KEY

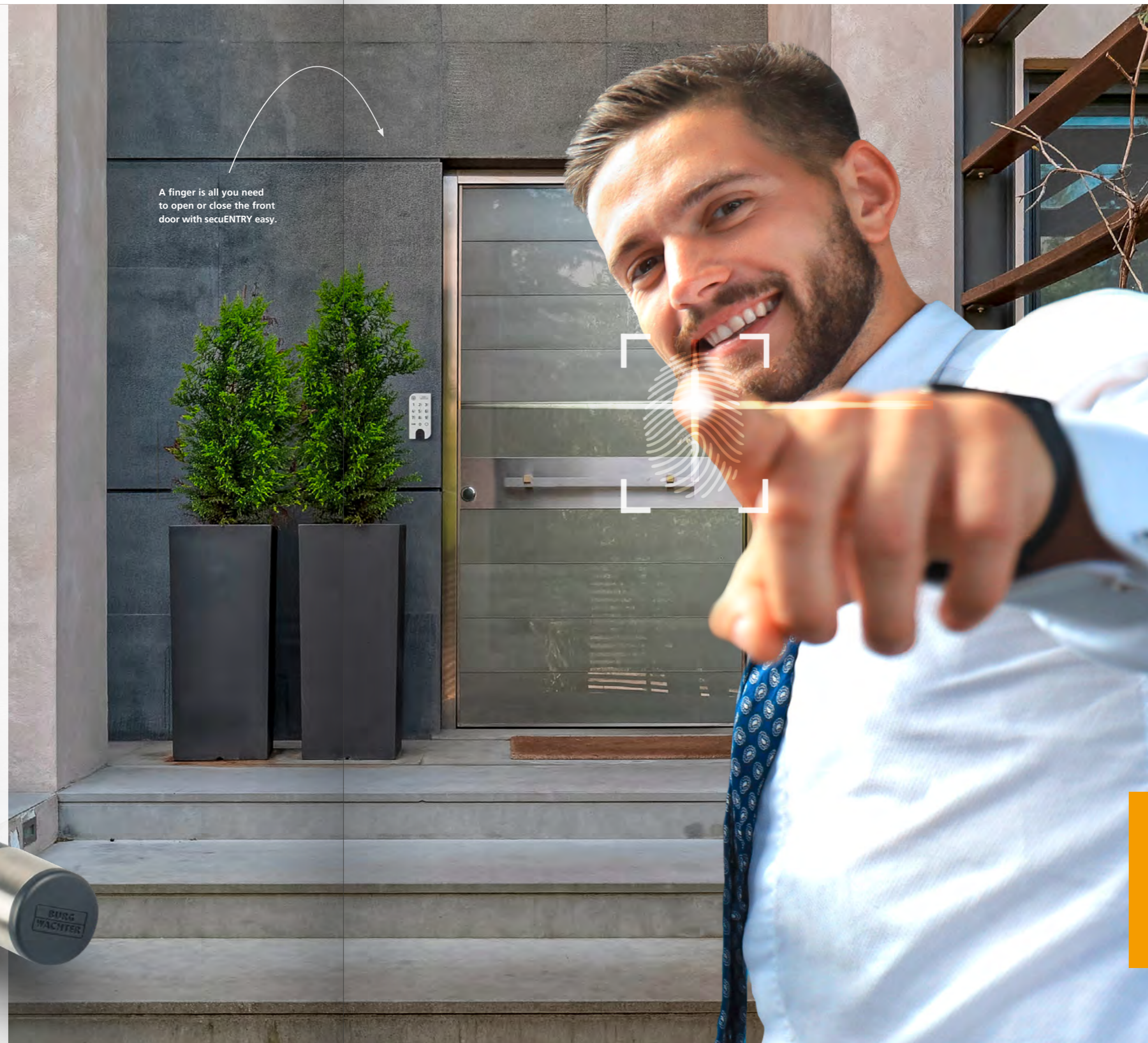
The new secuENTRY easy series from BURG-WÄCHTER combines state-of-the-art technology with maximum convenience. Opening doors has never been so smart and so flexible! **What could be more convenient than opening the front door to your house or flat with a fingerprint? Or the company entrance, a coworking space or the practice door?** After all, you always have your finger with you!

But that's not all: **the door can also be opened remotely using the secuENTRY Bridge. Very easy.** secuENTRY easy Smartlocks can of course also be opened using a pincode, app and radio key. The series also exclusively offers a mechanical emergency lock and assembly in just a few minutes.



secu **ENTRY** easy

A finger is all you need to open or close the front door with secuENTRY easy.



The smart solution for private homes, companies and practices

Technology meets convenience.

Everything from one source – with the free BURGsmart app! Open and close doors, assign codes and manage access securely and fast.

Whether it's a house or flat, office or practice, the new secuENTRY easy offers the right solution for all applications. Because nothing is more convenient than opening the door by fingerprint or code. After all, you can lose a key, which can quickly become very expensive with locking systems.

And you are not limited to one opening method, keeping you flexible. As a result, you can open the door by fingerprint, code, smartphone or radio key. To suit what you want.



The guests are already at the door and you're still on the way? No problem: you can open your door remotely with the help of the secuENTRY Bridge.



secuENTRY pincode or combined fingerprint and pincode keypad (photo)

secuENTRY easy cylinder with emergency lock

Optional opening method: secuENTRY radio key



IDEAL FOR COMPANIES AND PRACTICES: secuENTRY easy ALLOWS YOU TO EASILY PROVIDE EACH EMPLOYEE WITH INDIVIDUAL ACCESS.



User administration is even more convenient and clearer with the secuENTRY pro PC software.

Conveniently manage all locking rights

BURG-WÄCHTER has many years of experience in developing and producing electronic door locks. The result: The secuENTRY easy series is the modern and secure Smartlock for high requirements. After all, the security factor is given top priority. Thanks to AES encryption, the data is absolutely secure. It doesn't matter whether you open it by fingerprint, code, smartphone or radio key. The cylinder and opening media communicate using the latest energy-saving Bluetooth standard 5.2 LE.

You can manage up to 8 secuENTRY cylinders and up to 15 users with the free BURGsmart app. Even up to 1.000 cylinders and 2.000 users, including up to 300 fingerprint users with the optional PC software.

Of course, you always have an overview of who opened the door and when. The history of the openings can be viewed in the BURGsmart app or in the optional PC software.

Authorised personnel only: protect sensitive areas easily!

Whether it's a laboratory, server room or board rooms. In practices and companies there are some areas that may only be entered by authorised personnel. These rooms in particular can be easily protected using the secuENTRY easy door lock. Personnel with authorized access use their personalised secret code or fingerprint. Of course, the door can also be opened using a smartphone or radio key.

secuENTRY easy is also impressive in terms of security. Keys must not be lost, especially in sensitive areas. This does not happen with the electronic door lock. And you always know who opened the door and can withdraw opening rights at any time.

secuENTRY Bridge: Ideal for holiday homes and remote opening

Hand over keys remotely!

Opening the door smartly is simply convenient. The new generation of secuENTRY easy can do much more because you also have remote access to your door lock. The secuENTRY Bridge makes this possible! As it takes your Smartlock online. And you can really conveniently let the children, early guests or trades into the house – wherever you are. The secuENTRY Bridge converts the signal sent remotely using the BURGsmart app into an opening signal. The Bridge only has to be integrated into the home's WiFi.

But that's not all. The secuENTRY Bridge also takes care of "handing over the key". Ideal for a holiday home or a flat in the city for short-term tenants. The BURGsmart app and the Bridge allow you to simply assign an individual user code for your holiday home. You can create this code conveniently from home. All your holiday guests need to do is enter the code on the secuENTRY pincode keypad. Making handing over and returning keys a thing of the past. Saving you and the holidaymakers time. As they have already received the code by email or messenger before they arrive.



Award-winning! The secuENTRY Bridge for remote door opening was awarded the PLUS X AWARD for ease of use, high quality and functionality!



Small device, great technology

5 steps: This is how the secuENTRY Bridge works

1. Register the Bridge in the BURGsmart app and integrate it into the holiday home's WiFi network.
2. The opening signal is sent to the secuENTRY easy Smartlock by the app, wherever you are.
3. The WiFi router receives the signal and forwards it to the Bridge.
4. The Bridge transmits the encrypted Bluetooth release to the electronic door cylinder.
5. The secuENTRY door lock can be opened.

Wherever your holiday home is: with the secuENTRY Bridge you don't have to bring the key over. You conveniently assign the locking rights from home. All you need is WiFi in the holiday home.



* Smartphone is not included in delivery.

Day after day: whether it's at home or in the office

Extremely easy, without a key!



secuENTRY remote release
ENTRY Remote 7172



Door opening from the 2nd floor
with the secuENTRY Remote

At home or at work: secuENTRY easy offers you many options and complete freedom.
Of course, you always have full control over who opened the door when. Practical: A key list is no longer required!

Remote opening: you can also open your door when you are out and about with the help of the secuENTRY Bridge



BURGsmart app
Smartphone is not included in delivery



secuENTRY control unit
ENTRY 5670 Bridge



BURGsmart app
Smartphone is not included in delivery



secuENTRY keypad
ENTRY 7711 keypad PIN
ENTRY 7712 keypad FP



secuENTRY radio key
ENTRY sE-Key 7713

Your Smartlock can do much more!



With the secuENTRY Relay you can open the **garage door** using your smartphone or the radio key



Make use of its possibilities!

When you think of a Smartlock, the first thing that naturally comes to mind is the convenience of opening the front door. But the secuENTRY series can do much more. After all, ease of use does not have to be limited to the front door. For example, you can open your electric garage door using different combinations.

The secuENTRY control unit, the relay, makes this possible. It transmits the corresponding signal from the radio key or passive transponder to open or close the door. Of course there are many other possible uses. **Any external electrical device can be switched using the relay. For example, shutters or barriers.**

By combining the relay and wall reader, you can also open the **garage door** by holding the passive transponder in front of you.



In detail: The secuENTRY easy cylinder – ENTRY 7600 CYL

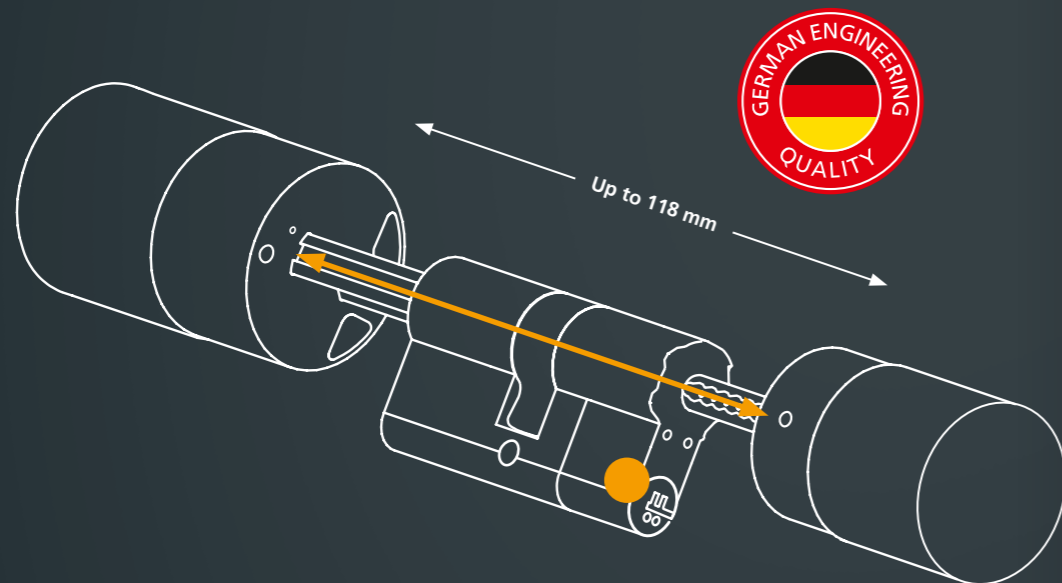
SMART TECHNOLOGY, FAST ASSEMBLY

VARIABLE. THAT SUMS UP secuENTRY easy NOT ONLY WHEN IT COMES TO OPENING DOORS. THE CYLINDER FITS ALL COMMON DOORS. NO MEASURING REQUIRED!

Products from BURG-WÄCHTER have always featured a high level of ease of use. Now secuENTRY easy goes one step further!

After all, you not only have the choice between fingerprint, code, app and radio key for the opening method and can open the door using the mechanical emergency lock, if the worst comes to the worst.

The latest Smartlock generation also reaches new levels when it comes to assembly. You adjust the secuENTRY easy door cylinder to your door thickness up to a maximum of 118 millimetres (59 mm / 59 mm) in just a few simple steps by clicking it into the right setting. **No measuring. No drilling. No laying cables. Simply very easy!**



secu **ENTRY** easy



This is how a secuENTRY easy door cylinder works.

Outer knob: Once the opening signal is transmitted by a fingerprint, code, app or radio key, the knob can be turned to open the door. After about seven seconds, the knob is idle again. The door can no longer be opened.

EXCLUSIVE TO BURG-WÄCHTER!
The mechanical emergency lock enables you to open the lock with the key provided, should anything go wrong.

Profile cylinder: The electronic secuENTRY easy door cylinder replaces the old, mechanical locking cylinder. The length of the cylinder can be adjusted to all common door thicknesses in just a few simple steps by clicking it to the right setting. The enclosed adapters ensure that the lock is held securely in place. There is no need to take any measurements before purchasing it. So there is no risk of buying the wrong cylinder for your door.

Cam: The cam is located in the middle of the locking cylinder. When the cylinder receives a correct signal to open or close the door, the cam moves the door lock to the desired position when the knob is turned.

EXCLUSIVE TO BURG-WÄCHTER!
You adapt the secuENTRY easy cylinder exactly to your front door by clicking it to the right setting. The maximum thickness is 118 millimetres (59 mm / 59 mm).

Inner knob: This receives the secure Bluetooth signal to open the door. If necessary, the batteries used can be replaced in just a few simple steps. Unlike the outside knob, the inside knob has constant access to the lock. This means that the door can always be opened or closed from the inside. This is important so you can leave the house or flat quickly in an emergency.

The secuENTRY easy opening methods

The Smartlock full of possibilities

HOUSE, FLAT OR OFFICE: **THE secuENTRY easy OFFERS THE APPROPRIATE TYPE OF OPENING FOR YOUR PERSONAL REQUIREMENTS.** WHETHER IT'S FINGERPRINT, CODE, APP OR RADIO KEY: YOU DECIDE WHICH METHOD SUITS YOU BEST.

1./2. secuENTRY fingerprint / pincode keypad

A person's fingerprint is unique. This is why it is ideal for authentication. The fingerprint keypad offers the alternative of opening by code, the pincode keypad just opening by code. Both transmit an encrypted Bluetooth signal to the door cylinder based on the latest 5.2 LE standard. The illuminated keypad has a range of four metres and is either mounted on the wall with adhesive tape or screwed on.

3. secuENTRY radio key

Entry at the touch of a button. The sE-Key 7713 radio key makes this possible. The radio key is the convenient way for neighbours or acquaintances to open your front door, e.g. to feed your pets or water your plants while you're on holiday. Extra security: If a radio key is lost, the opening rights are withdrawn really easily using the BURGsmart app.

4. BURGsmart app

Modern, intuitive, free: you can open the front door easily using the BURGsmart app for iOS and Android. We always have our smartphones with us anyway. With the app, you also change the user codes and fingerprints and manage the radio keys.

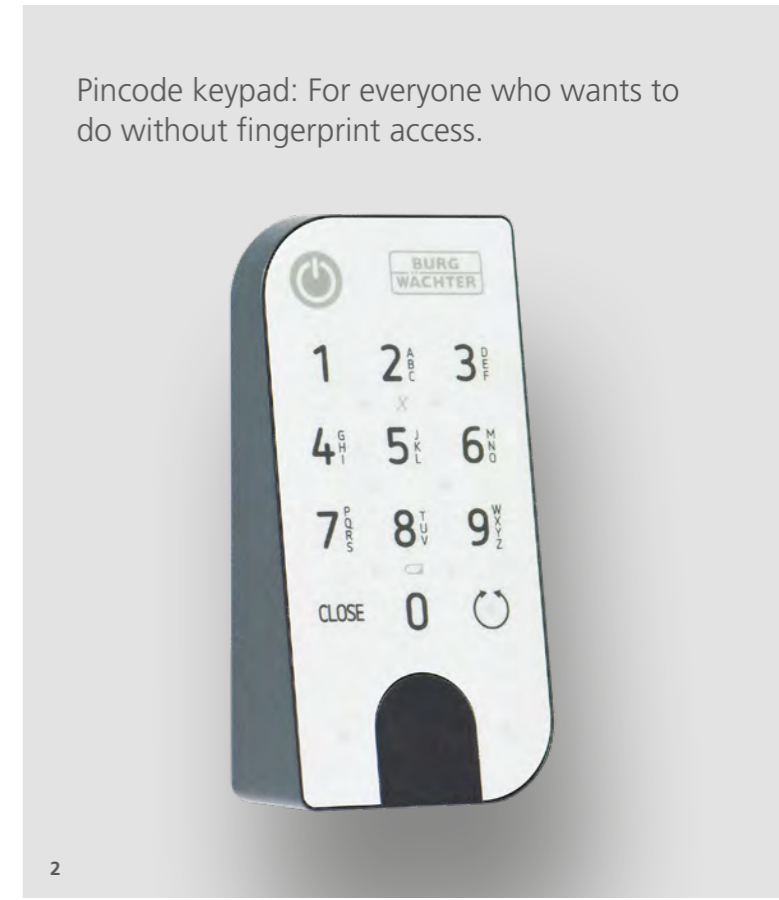


Convincing! The secuENTRY fingerprint and pincode keypads received the PLUS X Award for high quality, design, ease of use and functionality.

The secuENTRY fingerprint keypad for opening by fingerprint or code.



Pincode keypad: For everyone who wants to do without fingerprint access.



The sE-Key 7713 radio key for opening at the touch of a button.



Smartphone is not included in delivery.

secuENTRY: The add-on modules at a glance

Can we tempt you to a bit more?

OPENING DOORS REMOTELY, AWARDING INDIVIDUAL USER CODES, OPENING GARAGE DOORS. MANY DIFFERENT APPLICATIONS ARE POSSIBLE WITH THE VARIOUS secuENTRY MODULES.

1. secuENTRY Bridge

With the secuENTRY Bridge, you can open your front door from anywhere in the world. All you need is the free BURGsmart app for your smartphone. So you can let visitors, children or trades into your house. Of course, the same works in your holiday home: You assign an individual user code for your holiday home via the BURGsmart app. The bridge in your holiday home forwards this to the cylinder. All the guest has to do is enter the code on the keypad.

2. secuENTRY Relay

Do you want to open your garage door electrically? Or the gate to your driveway? No problem The secuENTRY Relay makes this possible. The switching unit transmits the appropriate signal to open or close the door or gate. The relay is activated by entering a code or fingerprint on the keypad, using the radio key, the app or the wall reader using a passive transponder.

3. secuENTRY RFID Extender/wall reader

The RFID Extender reads passive transponders and transmits the received data to the secuENTRY Relay. Once the transponder is authorised, the relay transmits the opening signal, e.g. for a garage door.

4. secuENTRY Remote

The secuENTRY Remote makes your secuENTRY locking system even more flexible. The wired remote is activated via a switch contact and sends an opening signal to the secuENTRY easy door lock. So the door can be opened.

The practical add-ons make the secuENTRY easy Smartlocks even more flexible: secuENTRY Bridge (1), secuENTRY Relay (2), secuENTRY RFID Extender (3) and secuENTRY Remote (4).

The secuENTRY Bridge for remote opening and transfer of locking rights for the holiday home.



Award-winning! The secuENTRY Bridge for remote door opening was awarded the PLUS X AWARD for ease of use, high quality and functionality!

1

The secuENTRY Relay serves as an electronic control unit.



2

Avoid the stairs:
open the door from the third floor

The secuENTRY Remote looks unimpressive. But the handy device can save you a lot of time! When activated, the remote transmits a Bluetooth signal. For example, customers and guests can open the front door in office buildings even if you are on the third floor.

How does it work? You press a switch (button) on the third floor, its cable is connected to the remote on the ground floor. This transmits the opening signal to the secuENTRY easy door lock, which can now be opened from the outside. The distance between the remote and door lock should not exceed four metres.

The wall reader registers passive transponders and forwards the signal.



3

The secuENTRY Remote sends an opening signal to the door lock.



4

secuENTRY home

IDEAL FOR HOUSES AND FLATS: THE secuENTRY BASIC SYSTEM FOR UP TO FIVE USERS AT A GLANCE.

Cylinders

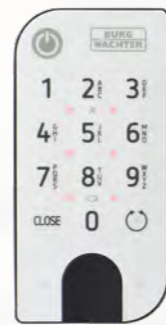


secuENTRY home cylinder
ENTRY home
5000 CYL

The heart of secuENTRY home. That's all it takes to open the door using the app. Up to five users. Fits all doors up to 118 mm thick.

EAN
40 03482 50000 2

Access media



secuENTRY pincode keypad
ENTRY 7711
keypad PIN

If you do not want to open the door using the app, opt for the illuminated PIN keypad to enter the freely selectable administrator code. This can be changed at any time.

EAN
40 03482 50711 7



secuENTRY radio key
ENTRY sE-Key 7713

Opening the door at the touch of a button. The secuENTRY radio key takes care of that. The range is about four metres. Easy registration in the BURGsmart app.

EAN
40 03482 50713 1

BURGsmart app



Available for free in your app store.

Set



secuENTRY home Set
ENTRY home 5001 PIN

The practical secuENTRY home Set is the ideal introduction to the world of Smartlocks. The set consists of the secuENTRY home cylinder, which you can adjust to your door in just a few simple steps. You can use the keypad to open your door by numerical code.

EAN
40 03482 50010 1



Properties:



PIN keypad

Usable identification media:



secuENTRY easy

THE secuENTRY PREMIUM SYSTEM FOR PRIVATE USE, OFFICES AND COMPANIES.
SUMMARY OF YOUR OPTIONS.

Cylinders

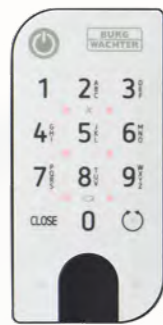


**secuENTRY
easy cylinder**
ENTRY easy
7600 CYL

The secuENTRY easy cylinder combines technology and convenience. Four types of opening plus mechanical emergency lock. Fits all doors up to 118 mm thick.

EAN
40 03482 **50600 4**

Access media



**secuENTRY
pincode keypad**
ENTRY 7711
PIN keypad

The pincode keypad for conveniently opening the front door by numerical code. The maximum range between the keypad and the cylinder is four metres.

EAN
40 03482 **50711 7**



**secuENTRY
fingerprint keypad**
ENTRY 7712
FP keypad

The fingerprint keypad enables the opening of doors by fingerprint or numerical code. This allows you to decide how the door may be opened and by whom.

EAN
40 03482 **50712 4**



**secuENTRY
radio key**
ENTRY sE-Key 7713

Opening the door at the touch of a button. The secuENTRY radio key takes care of that. The range is about four metres. Easy registration in the BURGsmart app.

EAN
40 03482 **50713 1**

BURGsmart app



Available for free
in your app store.

Set



secuENTRY easy Set
ENTRY easy 7601 Pincode

Do you want to do without the fingerprint as an opening method? Then the secuENTRY easy pincode set is the right choice. Using the free BURGsmart app you can manage up to 15 users, and with the optional PC software even up to 2.000.

EAN
40 03482 **50601 1**

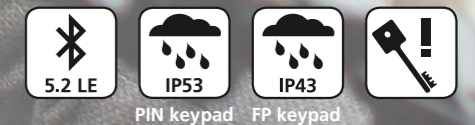


secuENTRY easy Set
ENTRY easy 7602 Fingerprint

Use opening methods of the secuENTRY easy series with the fingerprint set. Register up to 15 users with each two fingerprints can be registered via the free BURGsmart app. Up to 2.000 via the optional PC software (thereof max. 300 fingerprints).

EAN
40 03482 **50602 8**

Properties:



PIN keypad FP keypad

Usable identification media:



secuENTRY ADD-ONS

THE secuENTRY SERIES CAN DO MUCH MORE. THE VARIOUS MODULES AND THEIR OPTIONS AT A GLANCE.

BURGsmart app



Available for free in your app store.

secuENTRY PC software ENTRY 7783 Software pro



For locking systems with up to 2.000 users and 1.000 locks. System requirement: Windows 10 and 11 in standard configuration and USB port.

EAN
40 03482 50783 4

Add-on module



secuENTRY control unit
ENTRY 5670 Bridge

Twice as good: You can use the secuENTRY Bridge to conveniently open the easy series smart door cylinder remotely. All you need to do is integrate the Bridge into your home's WiFi. Locking rights can also be assigned remotely using the Bridge. Ideal for holiday homes.

EAN
40 03482 56280 2



secuENTRY control unit
ENTRY 7171 RELAY

The secuENTRY Relay serves as the control unit for the secuENTRY series. This can be used, for example, to open and close motor-driven garage doors.

EAN
40 03482 50171 9



secuENTRY remote switch
ENTRY 7172 REMOTE

Small device, big range of use: The secuENTRY Remote is switched off via a switch contact and sends an opening signal to the secuENTRY easy door lock.

EAN
40 03482 50172 6



secuENTRY wall reader
ENTRY 7174
RFID EXTENDER

The RFID Extender is mounted on the wall, reads passive transponders and forwards the signal to the secuENTRY Relay. Once the transponder is authorised, the Relay transmits the opening signal.

EAN
40 03482 50174 0



secuENTRY passive transponder
ENTRY 7710 RFID

The handy passive transponder (47x22 mm) triggers an opening signal using RFID technology. In the case of secuENTRY easy and Relay only in combination with RFID wall reader.

EAN
40 03482 50710 0

Properties:



Bridge



Extender



Everything in view: You always have your key with you!

The modern and convenient opening of a door lock without a key has long proven itself. BURG-WÄCHTER already has decades of experience in this segment. But that's not all. during development, we always keep in mind that you should have full control over who opened the door at all times!

Using the BURGsmart app for smartphones or the optional PC software, you can conveniently set up the users assign locking authorisations and see who has opened the door at what time. This control is indispensable, especially for companies. Of course, the BURGsmart app for iOS and Android is free of charge and extremely intuitive to use. In addition, you can use the app in combination with secuENTRY easy and the secuENTRY Bridge, to open your BURG-WÄCHTER Smartlock remotely. After all, you really don't need a key these days, to open a house, flat or office door. Try it!



You can find everything
about secuENTRY here



WE DELIVER SECURITY

SINCE 1920
BURG-WÄCHTER



ALWAYS THE
SAFE CHOICE!

BURG-WÄCHTER KG

Altenhofer Weg 15
58300 Wetter
Germany

TELEPHONE

+49 (0) 23 35 965 30

FAX

+49 (0) 23 35 965 390

E-MAIL

export@burg.biz

SOCIAL MEDIA



BURG-WÄCHTER UK

Eurocam Technology Park
Chase Way, Bradford
BD5 8HW, United Kingdom

TELEPHONE

+44 (0) 1274 395 333

E-MAIL

UKCS@burg.biz



Minor differences in weight and dimensions are due to the material and production process. With product illustrations, shape and colour deviations are possible. Printing and typesetting errors as well as technical changes reserved.

secuENTRY home & easy A4 EN

080523



www.burg.biz