

Installation ENTRY 7000 CYL

In the following the installation process for the secuENTRY 7000 pro cylinder will be explained. Please read the instructions carefully before the installation.

- 1 Remove the existing door lock cylinder by loosening the forend screw in the door and pulling out the cylinder with the key inserted (Fig. 1).
- 2 Basic measurements of each side of the cylinder is 30 mm. Delivered, the cylinder outer surface measures 30 mm, bought externally it already is preassembled. Enclosed to the cylinder is an adapter set, that allows You to adjust the cylinder to doors with a thickness up to 130 mm (67,5/62,5/measured centre fixing screw). Fitting to the adapter length, appropriate screws are enclosed to Your set (Fig. 2).

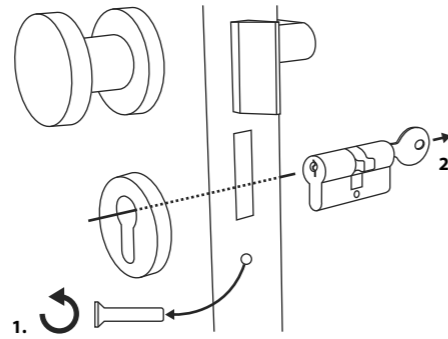


Fig. 1

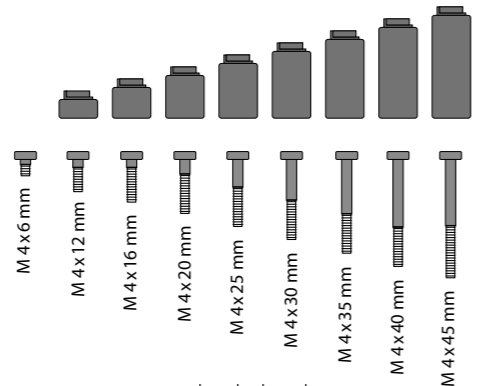


Fig. 2

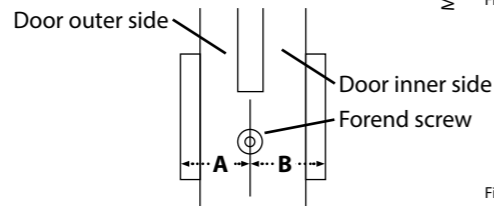


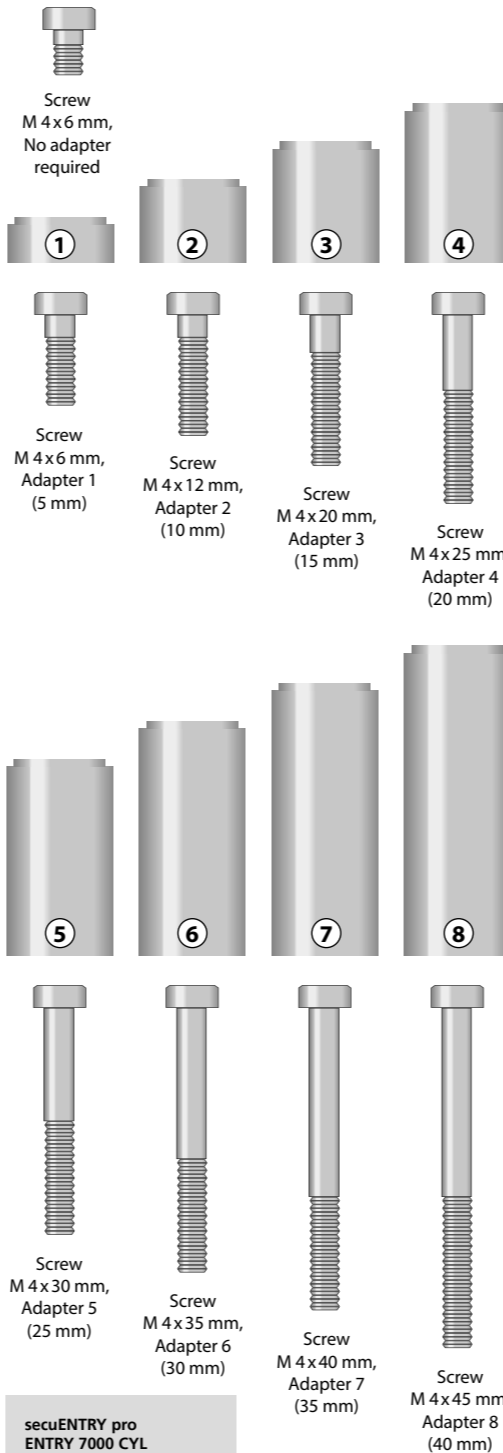
Fig. 3

	No adapter	Adapter 1	Adapter 2	Adapter 3	Adapter 4
Measure A; B	<= 29mm	29,5 - 34 mm	34,5 - 38,5mm	39 - 42,5mm	43 - 47,5mm
Screw	M4 x 6 mm	M4 x 12 mm	M4 x 16 mm	M4 x 20 mm	M4 x 25 mm

	Adapter 5	Adapter 6	Adapter 7	Adapter 8
Measure A; B	48 - 52,5 mm	53 - 57,5 mm	58 - 62,5 mm	63 - 67,5mm
Screw	M4 x 30 mm	M4 x 35 mm	M4 x 40 mm	M4 x 45 mm

Chart 1: Required adapter

Screws and adapters in scale 1:1



secuENTRY pro ENTRY 7000 CYL

! Attention! It is important to ensure that the inner knob does not bump against anything as the knob can break. The lock must not be greased or oiled.

- 3 Proceed with installation as follows: Place cylinder on the door to check whether an adapter is needed. Alternatively, the door incl. metal fittings can be measured (measure A; B). If You want to use the rubber covering for the profile cylinder perforation, You need to add 2 mm each onto the measures.

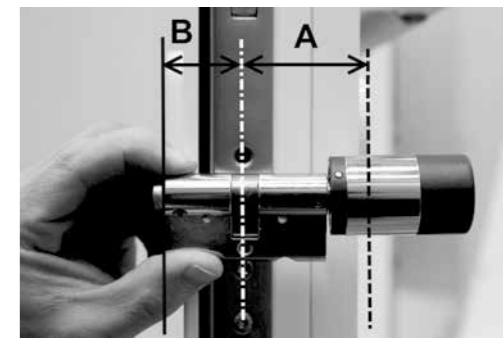


Fig. 4

Assembly

Assembly for doors whose thickness incl. fittings are smaller than 29 mm on outer side and where the cylinder can be pushed from the inside to the outside through the profile cylinder opening.

- 1 Slide the cylinder from outside to inside through profile cylinder opening. (Fig. 1).
- 2 Fix cylinder with the fixing screw.
- 3 Stick inner knob onto cylinder resp. onto appropriate adapter and screw in tight (Fig. 2). Chart 1 (page 1) provides the corresponding gradations.
- 4 Slide case over the inner knob and let it snap in (Fig. 3/ Fig. 4).

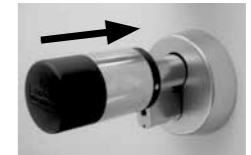


Fig. 1



Fig. 2



Fig. 3



Fig. 4

Assembly

Assembly for doors whose thickness incl. fittings are bigger than 29 mm on the outer side.

- 1 Compress with the help of the removal plier the snap-in nose of the knob and slide off the case (Fig. 1/ Fig. 2).
- 2 Carefully remove the connector (Fig. 3).



Fig. 1



Fig. 2



Fig. 3

③ Unscrew the screw (Fig. 4).

! **Attention!** Do not damage the plate or the cable!

④ Remove the knob from the cylinder and thread the cable out of the duct.

⑤ Choose the appropriate adapter for the outside and push open (Fig. 5/Fig. 6). Chart 1 (page 1) provides the corresponding gradations.

⑥ Slide installation aid (enclosed rubber hose) over connector (Fig. 7) and slide it together with the cylinder and the adapter from the inside into the mortice lock (Fig 8).

! **Attention!** Do not crease or damage cable!

⑦ Fixate cylinder with fixing screw (Fig. 9).

⑧ If required, assemble the cylinder extension (inside/outside) and succinctly mark with fitting. The cylinder extension prevents a contortion of the cylinder.

⑨ Disassemble cylinder extension, reduce with a saw to desired length and assemble definitively.

! **Tip:** If you want to use a cylinder cover, attach it to the cylinder at this point before the cylinder head is refitted in the next steps.

⑩ Slide cable with installation aid through the outside knob and lead cable inside the groove (Fig. 10/Fig. 11).

! **Attention!** Do not crease or damage cable!

⑪ Click adapter onto the cylinder (Fig. 12).

⑫ Keep cable sturdy and lead through the groove (Fig. 13).

! **Attention!** Cable must not overlap and has to be stored completely inside the pocket!

⑬ Screw in appropriate screw (see chart on page 1) with the enclosed inner-hex driver (Fig. 14).

! **Attention!** Do not crease or damage cable!



Fig. 4



Fig. 6



Fig. 8



Fig. 10



Fig. 12



Fig. 5

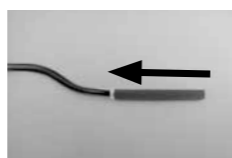


Fig. 7



Fig. 9



Fig. 11



Fig. 13



Fig. 14

⑭ Connect cable over the plug connection with the plate and store the spare cable inside the designated side pocket (Fig. 5/Fig. 16).

⑮ Insert battery according to polarity and let cover snap in (Fig. 17/Fig. 18).

! **Attention:** The catch mechanism only functions in one position!

⑯ Tick inner knob on the cylinder or the appropriate adapter and screw in with appropriate screw. Chart 1 (page 1) provides the corresponding gradations.

⑰ Slide cover open and let it snap in (Fig. 19).

⑱ Perform a function test with the door open.



Fig. 15

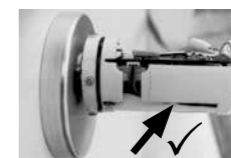


Fig. 16



Fig. 17

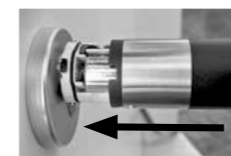


Fig. 18

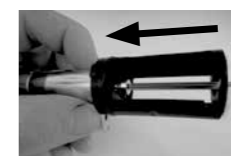
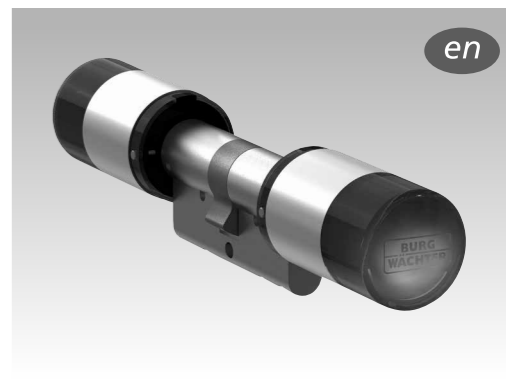
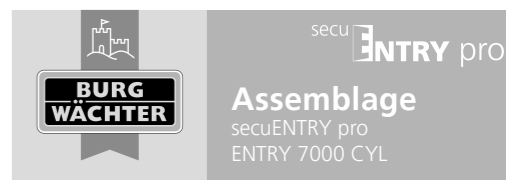


Fig. 19



<https://t1p.de/burgsmart-app>

Your locking system is set up and can be operated using the free BURGsmart smartphone app, available in the Apple App Store and Google Play. You can find instructions on how to set it up on our website under the link above or via the QR code.



Further languages at: www.burg.biz

Warranty

In order to deliver a flawless and high quality product to you and to better assist you in case of service or repair, it is necessary that faulty or defective devices along with the valid administrator code and the QR code(s) be presented to your dealer together with the original documentation.

When returning goods due to your right of withdrawal, all parts of the appliance must also be in their factory settings. Failure to comply with this will invalidate the warranty.

Disposal of the device

Dear customer,

Please help to reduce waste. Should you intend to dispose of this device at any time, please remember that many components of this device contain valuable materials that can be recycled.



Please note that electrical and electronic devices as well as batteries must not be disposed of with household waste but rather apart from it or separately. Please obtain information on the collecting points for electrical waste from the responsible authority of your city/municipality.



BURG-WÄCHTER KG hereby declares that this device complies with the Directives 2014/53/EU, (RED) and 2011/65/EU (RoHS).

The complete text of the EU Declaration of Conformity is available at the following Internet address <https://burg.biz/pages/eu-konformitaetserklaerung>.

Printing and typesetting errors as well as technical changes reserved.