



secu **ENTRY**
easy

Electronic door lock

Pincode

Fingerprint

Door and access –
securely and easily
controllable via
smartphone.



secuENTRY easy Pincode · secuENTRY easy Fingerprint

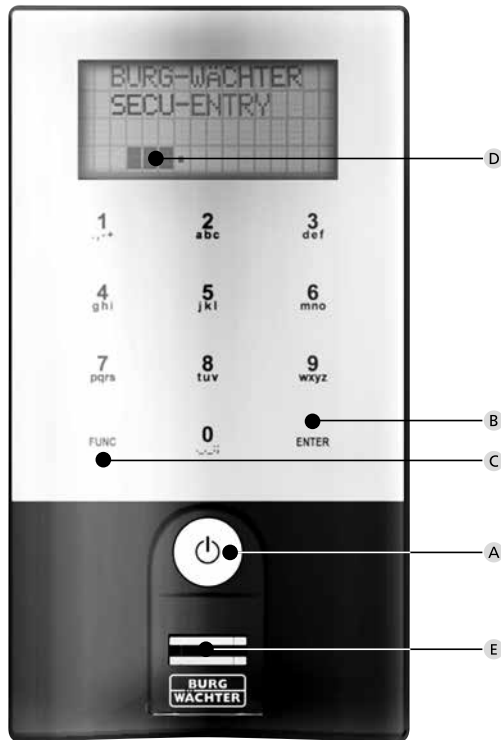
en Assembly and
User Manual



BURG-WÄCHTER KG
Altenhofer Weg 15
58300 Wetter
Germany

BA/MA secuENTRY easy dp/sds 10/2016

www.burg.biz



secuENTRY easy Keypad FP

Illustration

- A On key**
Activation of the keypad for the entry of the opening code.
- B Enter key**
Selection of a menu item.
- C Function key**
The function key provides for a variety of actions depending on the current status of the keypad. The display indicates, which function is active.
- 1) Access to the menu for programming**
When the "Func:M" symbol is displayed, the menu can be reached by pressing the "Func" key. In the menu, the keys "1" and "2" can be used as a scroll function to navigate through its structure.
- 2) Deleting an entry action**
When the "Func:C" symbol is displayed, the last entry can be cancelled by pressing the "FUNC" key.
- 3) Entry to previous programming level/ Back**
When you are in the menu, the symbol "Func:<" is displayed. By pressing the "FUNC" key, you return into the menu structure on the next higher level.
- D Battery indicator**
 - Battery full [\] Battery empty

The display indicates battery statuses of the cylinder unit and the keypad unit. The indication on the display concerns the batteries with the lowest status. In case a battery is empty, the display indicates as follows:
Replace battery in keypad or replace battery in knob.
 When the battery has been replaced and then the opening code entered twice, the currently lowest battery status is displayed. When only a single battery set is replaced, the display can still indicate an "incomplete" status, despite the replacement. In case you do not replace the batteries in spite of the replacement indication, you will have to enter the valid opening code once more in order to open the door. At the same time, the inner knob LED flashes 5 x 5 times. You can still open the door in this way approx. 50 times. Then it can only be opened using the administrator code. Now the batteries must be replaced, otherwise the door cannot be opened any more.
- E Fingerscan sensor**
To open or register the particular finger.

Dear customer,
 Thank you very much for your decision for the secuENTRY electronic lock system manufactured by BURG-WÄCHTER. This system has been developed and manufactured using the latest technical potential and satisfies high security requirements.

The electronic cylinder can be used easily without any drilling in any door prepared for profile cylinder up to a door thickness of 118 mm (59/59, measured at the central detent bolt), and is perfectly appropriate for new installation as well as for retrofitting.

Depending on the specific system, various opening media are available. With systems containing a keypad, user administration is additionally integrated. You can find out more on the following pages.

Remove the battery protection strip from the inner knob in order to energise the cylinder.

Important: Please read the entire User Manual before you start programming. We hope you enjoy your new locking system.

General information about secuENTRY easy

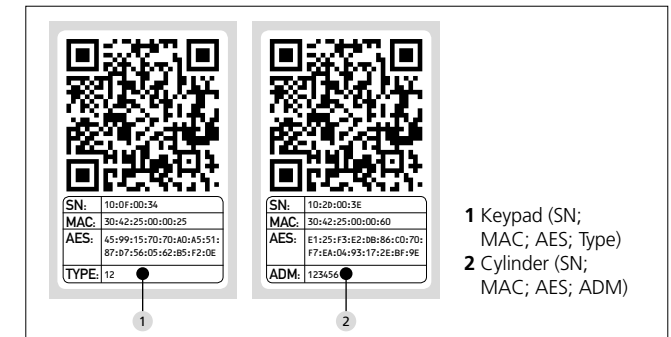
secuENTRY is available in two equipment configurations:

- secuENTRY easy PINCODE
- secuENTRY easy FINGERPRINT

In the set configurations secuENTRY easy PINCODE and secuENTRY easy FINGERPRINT, the keypad is already registered in the cylinder.

Administrator code / QR code

The QR Code is required for both the setup of opening options using the BURG-WÄCHTER KeyApp and for the subsequent attaching and registration of a keypad or a cylinder. In secuENTRY Pincode and secuENTRY Fingerprint, the administrator code is factory-set to 1-2-3-4-5-6 (please never forget to change it).



- 1 Keypad (SN; MAC; AES; Type)
- 2 Cylinder (SN; MAC; AES; ADM)

Attention! In case you lose your administrator code and / or your QR code, any reprogramming and any use of administrator functions becomes impossible. Please store it carefully!

Hint: The QR code can also be stored in an electronic form as a scanned file or a photograph on a protected data carrier.

Additional functions available using the optional secuENTRY easy Software, for example:

- User administration
- Assignment of authorisations
- History functions

Power supply

- 2 x MIGNON LR6 AA ALKALINE for the keypad
- 2 x MIGNON LR6 AA ALKALINE for the cylinder

Optical signalling

Optical signalling in the form of a LED is incorporated in the knob on the outer side of the door. This LED informs you on the following:

- 1 x brief: cylinder coupled
- 2 x brief: cylinder uncoupled
- 1 x brief, 1 x long, 2 sec pause, repeating: lock in programming mode
- 5 x briefly, 2 sec pause, repeating at 20 sec: battery in cylinder empty

Technical data


Blocking times	After 3 x wrong code is entered 1 minute, then always 3 minutes
Display	Adjustable to 12 languages
Permissible ambient conditions*	-15 °C/+50 °C/up to 93 % rel. air humidity (noncondensing) Allowed temperature range: -20 °C/+50 °C As a result of extreme temperature changes, the display can react slowly or darken.
Keypad protection class	Protection class keypad PINCODE IP65 Protection class keypad Fingerprint IP55

* In case the temperature exceeds the specified range, a corresponding warning message is indicated on the display. Provide for appropriate corrective action!


Opening

secuENTRY can be operated, depending on the equipment configuration, using a 6 digit numerical code, the Burg-Wächter KeyApp or with fingerprints.

Opening with PIN code

- Press the  key
- Enter the 6 digit PIN code (factory-set to 1-2-3-4-5-6). The display indicates "Please use rotating knob!" and the LED integrated in the cylinder flashes once when the opening is successful.
- Turn the cylinder knob

Opening with Fingerprint

- Press the  key
- Move the registered finger from the top to the bottom centrally over the sensor. The display indicates "Please use rotating knob!" and the LED integrated in the cylinder flashes once when opening is successful.
- Turn the cylinder knob

Opening with BURG-WÄCHTER KeyApp

- Hold your smart device in front of the cylinder knob and press the opening key of the KeyApp.
- The LED integrated in the cylinder flashes once when opening is successful.
- Turn the cylinder knob.

BURG-WÄCHTER KeyApp

You can download the BURG-WÄCHTER KeyApp from the App Store or the Google Play Store. For this purpose, simply enter the search item "secuENTRY" or "KeyApp".

Compatible with Samsung Galaxy S4, S4 mini, S5 and S5 mini from Android 4.3 KitKat or 5.0 Lollipop, Apple iPhone 4S, 5, 5S, 6, 6P from IOS 8.1.3.

Please check under:

www.burg.biz/secuentry/description

whether other Smartphones are compatible with the app.

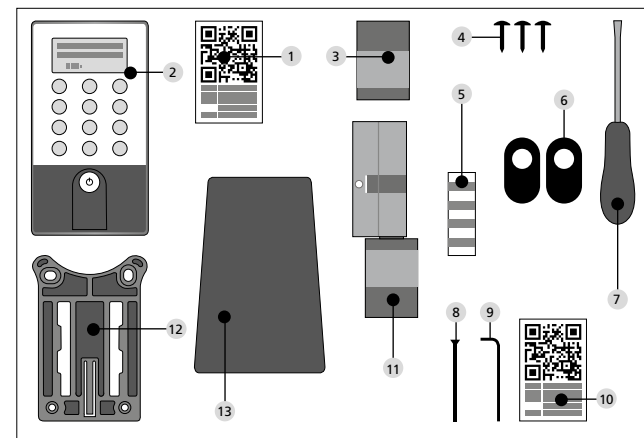
secuENTRY easy PINCODE

Generally

The electronic cylinder is operated by entering a PIN code. Additionally, the lock can also be operated using the BURG-WÄCHTER KeyApp.

Contents of delivery

- | | |
|---|------------------------|
| 1 QR code keypad | 7 Tx (size 8) |
| 2 Keypad | 8 Detent bolt |
| 3 Outer knob | 9 Allen key (size 3) |
| 4 Fixing materials 1 keypad | 10 QR code cylinder |
| 5 Fixing materials 2 keypad (adhesive pads) | 11 Cylinder |
| 6 Rubber shell | 12 Wall mounting plate |
| | 13 Shield foil |



Functions

- Total number of users: up to 50

secuENTRY easy FINGERPRINT

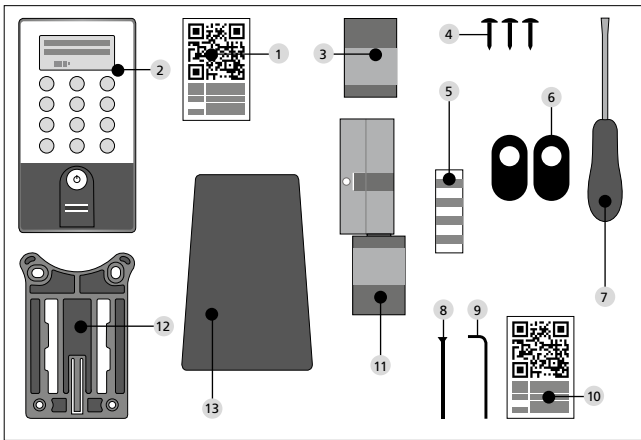
Generally

The electronic cylinder is operated using a scanned finger. Up to 24 fingers can be programmed using the keypad. The users are created separately (USER XXX_FP).

If a code and/or an transponder should be additionally assigned to a user, it is to be created separately. Additionally, the lock can also be operated using a PIN code, or the BURG-WÄCHTER KeyApp.

Contents of delivery

- | | |
|---|------------------------|
| 1 QR code keypad | 7 Tx (size 8) |
| 2 Keypad | 8 Detent bolt |
| 3 Outer knob | 9 Allen key (size 3) |
| 4 Fixing materials 1 keypad | 10 QR code cylinder |
| 5 Fixing materials 2 keypad (adhesive pads) | 11 Cylinder |
| 6 Rubber shell | 12 Wall mounting plate |
| | 13 Shield foil |



Attention! The fingerprint sensor must not be cleaned with detergents. Please use a slightly moistened cloth for this purpose.

Functions

- Total number of users: up to 50, out of whom number of fingerprints: up to 24

Basic indication of menu functions

Wenn im Display das Symbol „Func:M“ erscheint, gelangen Sie durch Drücken der Taste „FUNC“ ins Menü. Im Menü haben Sie dann über die Tasten „1“ und „2“ eine Scroll Funktion, um sich durch die Struktur zu navigieren. Über die Taste ↵ (Enter) gelangen Sie in die nächste Menüebene.

Structure of the menu

Code change menu
Sprache/Language menu
Administrator menu
 Create user menu
 Create: Code
 Create: Fingerprint
 Delete menu
 Additional functions menu
 Date adjustment → not available in the standard version
 Time adjustment → not available in the standard version
 Setup menu
 Register
 Reorganise
 FP reset menu
Info menu

Description of the menu functions

The following text described the functions for the products **secuENTRY easy Pincode** and **secuENTRY easy FINGERPRINT**.

Code change menu

Changing the administrator code and the user codes

- Activate the keypad using the ⏻ key
- Then press *FUNC*
- The Code Change menu is displayed
- Confirm your selection using ↵
- Now you can use the keys 1 or 2 to scroll until the administrator/user, whose user code should be changed, is displayed
- Confirm with ↵
- Enter the code valid so far (existing code) and press ↵
- Enter the new code and confirm it with ↵
- Repeat your entry and confirm it again with ↵
- “Code change accomplished” is displayed after a correct entry

Sprache / Language menu Language setup

- Activate the keypad using the ⏻ key
- Then press *FUNC*, the Code Change menu is displayed
- Scroll using the 2 key till reaching the above menu item
- Confirm with ↵
- Use the keys 1 or 2 to scroll until the required language is displayed
- Confirm with ↵

Administrator menu

Various submenus are available under the Administrator menu

Submenu create User with Code

- Activate the keypad using the ⏻ key
- Then press *FUNC*, the Code Change menu is displayed
- Scroll using the 2 key till reaching the Administrator menu
- Confirm with ↵. The “Create User” menu item appears
- Confirm with ↵
- Scroll using the 2 key till reaching “Create User: Code”
- Confirm with ↵
- Enter the administrator code in order to acquire the authorisation for programming
- The next free memory space is indicated (e. g. USER.003)
- Enter the 6 digit code and confirm it 2 x with ↵
- “Data has been saved” is displayed

Submenu create User with Fingerprint

(This function is only active with secuENTRY easy Fingerprint)

- Activate the keypad using the ⏻ key
- Then press *FUNC*, the Code Change menu is displayed
- Scroll using the 2 key till reaching the Administrator menu
- Confirm with ↵. The “Create User” menu item appears
- Confirm with ↵
- Scroll using the 2 key till reaching the “Create User: Fingerprint” item
- Confirm with ↵
- Enter the administrator code in order to acquire the authorisation for programming
- “Register finger” is displayed
- Move the finger to be registered several times centrally over the sensor (the number of moves is indicated on the display)
- “User_XXX_FP successfully registered” is displayed

Submenu Delete

Using this menu, you can delete a user.

- Activate the keypad using the \odot key
- Then press *FUNC*, the Code Change menu is displayed
- Scroll using the 2 key till reaching the Administrator menu
- Confirm with \leftarrow
- Scroll using the 2 key till reaching the "Delete" item
- Enter the administrator code in order to acquire the authorisation for programming
- Scroll till reaching the user or the identification medium (transponder) you wish to delete and confirm your selection 2 x with \leftarrow
- "Data has been deleted" is displayed

Time Functions submenu (Premium only)

This is intended for setting the time and date

Setting the time:

Not available as a standard function.

Setting the date:

Not available as a standard function.

Setup submenu

General system settings

Register

After a replacement of the cylinder or the keypad, the two units have to be newly aligned, so that they can resume communication.

Registration of a keypad

- Activate the keypad using the \odot key
- Then press *FUNC*, the Code Change menu is displayed
- Scroll using the 1 or 2 keys till reaching the Administrator menu
- Confirm with \leftarrow
- Now scroll using the 1 or 2 keys until reaching the Admin. Setup menu
- Confirm with \leftarrow
- Enter the admin code of the unit to be registered
- "Data has been saved" is displayed after a successful registration

Attention! Make sure that no other powered secuENTRY unit is placed within a direct reach of the device when registering a new keypad or a new cylinder, as such unit could be mistakenly addressed instead of the intended one. When in doubt, disconnect such units from power before the registration (remove batteries).

Reorganise

The use of this function is recommended when several users have been deleted.

- Activate the keypad using the \odot key
- Then press *FUNC*, the Code Change menu is displayed
- Scroll using the 2 key till reaching the Administrator menu
- Confirm with \leftarrow
- Scroll using the 2 key until reaching the "Setup" menu item
- Confirm with \leftarrow
- The "Reorganise" menu item appears
- Confirm with \leftarrow
- Enter the administrator code in order to acquire the authorisation for programming
- "Reorganisation in progress" is displayed

Submenu FP Reset

(This function is only active with secuENTRY easy Fingerprint and with the secuENTRY KP FP keypad) All the stored fingerprints are deleted, however, the corresponding users are retained. Please select this menu and follow the instructions on the display in case of repeated error functions related to the use of fingerprints.

Info menu

The version and serial number of the system are displayed using this function. For security reasons, the complete serial number is indicated only in the administrator mode.

- Activate the keypad using the \odot key
- Then press *FUNC*, the Code Change menu is displayed
- Scroll using the 2 key till reaching the Info menu
- Confirm with \leftarrow . The serial numbers of the keypad (EA) and of the cylinder (AA) are displayed.

Remark: For security reasons, the serial number (AA) of the cylinder is not completely displayed before the entry of a valid administrator code.

Installation Instructions for secuENTRY easy cylinder

Please read these Installation Instructions carefully before the assembly and then store them at a safe place.

The cylinder has a special detent system, offering you a possibility of using the cylinder for doors with a thickness up to 118 mm (59/59 mm, measured at the central detent bolt). No prior adjustment is necessary.

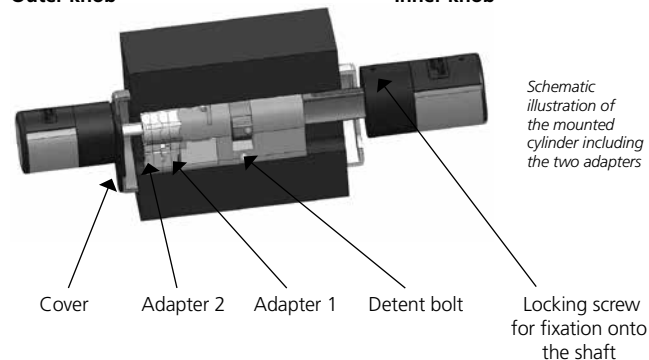
Attention: Be careful to not bang the knob anywhere, as the knob can break in such case. The lock should not be greased or oiled

An incorporated locking screw in each knob is to fix the rotary knobs.

Attention: Never pull the inner knob completely from the shaft, as this might cause damage to the electronics! The locking screw, which ensures the detent on the shaft, may be loosened only lightly and it always remains in the plastic knob, providing protection against pulling it out.

Outer side
Outer knob

Inner side
Inner knob

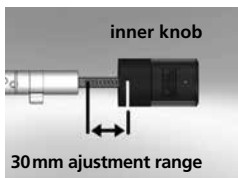


Remark

The base size of the cylinder is 30 mm per side. When delivered, the cylinder is completely collapsed (the smallest door thickness). Before you insert the cylinder into the door, you should adjust it to your door thickness.

When installing the cylinder, proceed as follows:

- 1 Take a rough measurement of the door thickness (incl. fittings)
- 2 Pull the outer knob from the shaft, move the inner knob over the detent system (spacing 2.85 mm) to the required dimension.



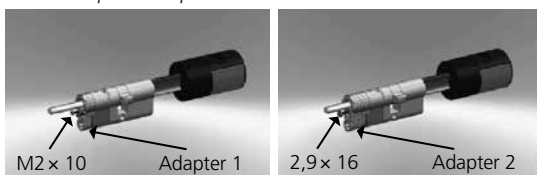
Schematic illustration of setup of the inner knob adjustment

3 Depending on the door thickness, you can affix an appropriate adapter on the outer side, in order to improve the path for the emergency key.

The following combinations are possible:

Space detent bolt/fitting (mm) on the outer side	Adapter 1	Adapter 2
< 43	–	–
44–53	X	–
54–60	X	X

Tab. 1: Space detent bolt/mounting [mm] on the outer side and the required adapter.



4 Move the secuENTRY easy cylinder from inside to outside through the mortise lock into the door and then tighten the detent bolt.



5 Shift the inner knob over the shaft until attaining the required dimension. Please make sure that the clearance between the rotary knob and the door mounting is at least 1 mm. Then fix the rotary knob using the hex key.

6 Before you fix the outer knob, please consider whether you wish to use the attached cover panel for the profile cylinder section. If so, remove the protective sheet and fix the cover panel onto the lock section.



7 Shift the outer knob into the required position on the shaft and fix it with a clearance of at least 1 mm from the mounting using the hex!



8 The function test must be made with the door open.

secuENTRY easy keypad installation

The keypad is only included in secuENTRY easy Pincode and secuENTRY easy Fingerprint sets.

Attention! Please remember that the keypad should not be attached to the door itself, otherwise it would transmit shocks when the door is being shut. The membrane affixed to the keypad rear side should not be sealed with glue and/or any other substance under any circumstances! Exchange of air must also be possible after the installation!

- Determine the installation place for the keypad. For that purpose, enter the opening code (e. g. PIN code, fingerprint, ...) at the desired mounting place and check whether the lock opens.
- Place the keypad correspondingly.

You can then decide whether you want to glue the wall holder directly on the wall or whether you prefer having it screwed on. The slotted holes in the wall holder provide for an exact alignment.

If you decide for gluing the wall holder, please be sure to provide for clean surfaces free from fat, oil and silicon films and any other impurities. Remove completely the protective film from the included adhesive pads, attach all the pads on the wall holder and then press the whole firmly to the required position. When mounting in colder temperatures, please remember that the full adhesive force cannot be achieved before 72 hours in 20 °C, with warmth accelerating the process (e. g. in 65 °C, the full adhesive force will be achieved in one hour).

When gluing the holder plate on the colour sight protection film, the above described conditions relating to cleanliness of surfaces and firmness of the adhesive pad should be observed.



To provide for a bubble-free application of the colour sight protection film, please proceed as follows:

- Pour some water with a couple of drops of dishwashing detergent into a glass, stir it cautiously free of foam, and then use it to moisture gently the surface, on which the film is to be applied.
- At an edge, pull off the white protective sheet from 1 cm of film and straighten it out. To change the position, lift this surface carefully and attach it again as required.
- Then swipe the adhesive film, e. g. with a plastic spatula, out from the contact surface in the direction of protective sheet still attached.

Attention! Do not use more liquid than absolutely necessary.

- Slide the keypad in from above until the locking peg of the mounting plate engages into the keypad housing. In this way, the keypad is protected against undesired removal.
- Perform a function test of the unit with the door open. For this purpose, enter repeatedly a valid opening code (e. g. PIN code, fingerprint, ...).



Battery replacement for the secuENTRY easy keypad

- Remove the housing cover on the bottom side by loosening the 2 screws (Tx 8).



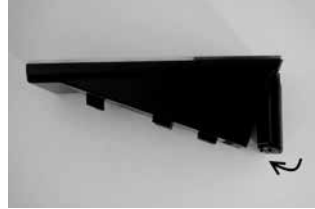
- Pull the battery compartment lid downwards until it disengages and replace the batteries.



When inserting the new batteries, be careful to observe the correct polarity as indicated on the housing.



- To close the battery compartment, first press the battery compartment lid close to the screw holes to make them slide into the recesses, then snap the bottom side into position by pressing on it.



- Fasten the battery compartment lid with screws



Attention! Make sure that no moisture enters the keypad when replacing the battery.

Cleaning instruction secuENTRY easy keypad

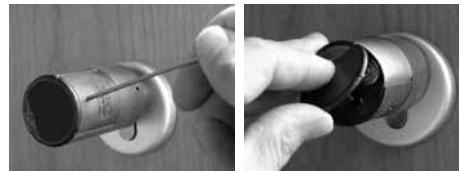
The surface finish of the keypad prevents adherence of impurities. Dust or dirt can be removed from the surfaces using a damp cloth.

No alcohol-based detergents (spirit, SIDOLIN® etc.) or aggressive detergents (acetone etc.) may be used, as they can damage the surface or the sensor.

Replacement of batteries – knob (inner side)

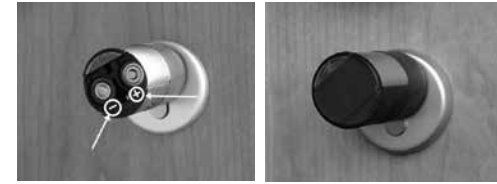
- 1 Using the attached hex key, loose the top locking screw on the cylinder cover. It can be turned out only up to the opening of the cover and will not fall out.

- 2 Open the cover



- 3 Replace the batteries. Make sure the batteries are inserted with the correct polarity, indicated at the marked point on the housing.

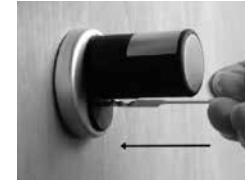
- 4 Replace the cover.



Emergency key function (outer side)

Using the mechanical emergency key, you can provide access in case of failure of the system.

- 1 Swing the emergency key open and then insert it into the indicated slot in the cover panel.



- 2 Turn the key 90° clockwise. If required, move the outer knob slightly to the right and left in order to release the mechanism.

- 3 Turn the outer knob. The lock opens when fully turned at the latest.

Turn the key to its initial position and take it out. To close the emergency lock, the knob shall be turned twice fully in both directions.

Dismantling of secuENTRY easy keypad from wall holder

- Remove the housing cover on the bottom side by loosening the 2 screws (Tx 8).



- Pull the battery compartment lid downwards until it disengages and replace the batteries.



- Press the latch using a narrow tool (e.g. flat-bladed screwdriver) downwards and slide the keypad upwards.



Interference from Bluetooth devices

Bluetooth devices use the same frequency band (2.4GHz) as WiFi devices. This can cause interference leading to errors or even to communication failure. In such case, any devices not required should be kept disconnected from power.

Warranty

In order to be able to provide you with perfectly flawless and high quality products and an optimal support when you need servicing or repair, we need you to present faulty or defective devices to your vendor together with a valid administrator code and the QR code(s), with the original purchase document attached.

When you return a device component based on your right of withdrawal from the purchase agreement, such component shall be adjusted to factory settings and the seal on the cylinder and on the knob shall be intact. In case of noncompliance with this, the warranty becomes invalid.

Disposal

Dear customer,
Please help us avoid unnecessary waste.
Should you intend to dispose of this device at any time, please remember that many components of this device contain valuable materials, which can be recycled.



Please be aware that electrical and electronic equipment and batteries shall not be disposed of as household waste, but rather collected separately. Please obtain information on the collecting points for electrical waste from the responsible authority of your municipality.



If you have any questions concerning the EC declaration of conformity, please use info@burg.biz

Mistakes and changes reserved