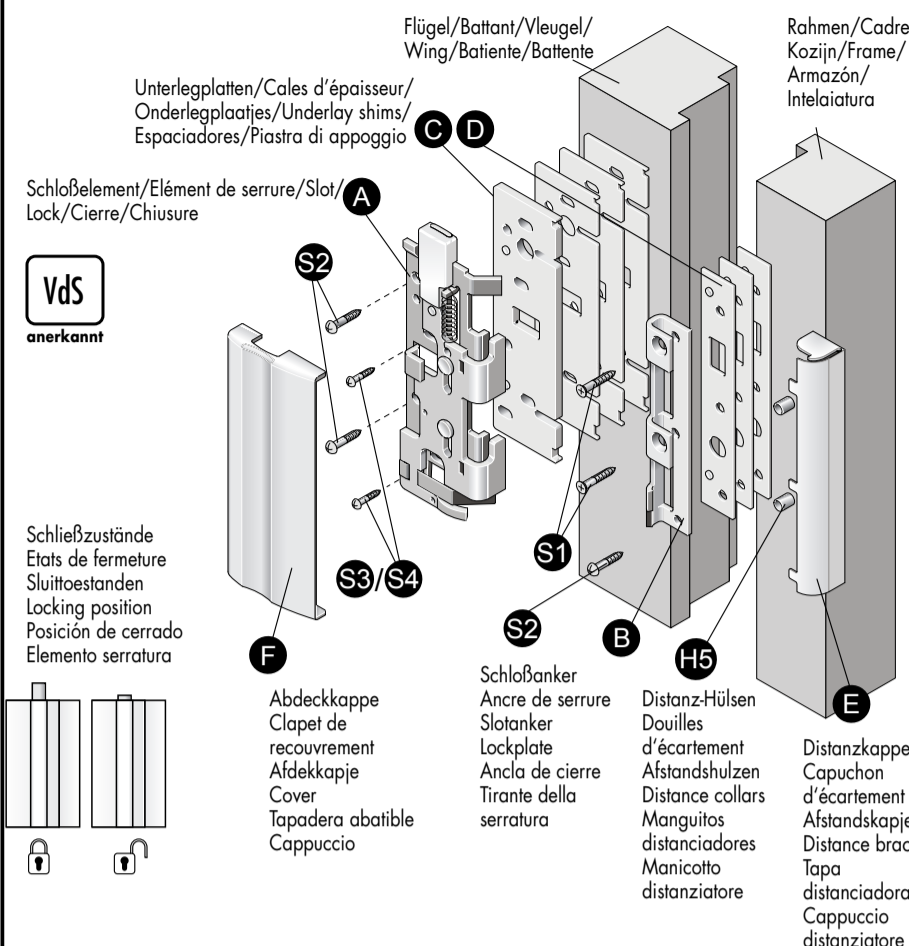


Übersicht/Synoptique/Overzicht/Overview/Vista general/Sommario



Montageposition/Position de montage/Montagespositie/Installation position/Posición de montaje/Posizione di montaggio

- Instructions for mounting on wood, aluminum, steel, or plastic, including diagrams showing the window frame being inserted into the wall opening.

Table with 3 columns: Schrauben/Vis/Schroeven/Tornillos, Holz/Bois/Hout/Wood/Madera, and Kunststoff, Alu, Stahl/Matière plastique, alu, acier/Kunststoff, aluminium, steel/Plástico, aluminio, acero/Plastica, alluminio, acciaio. It lists dimensions for different hole types and materials.

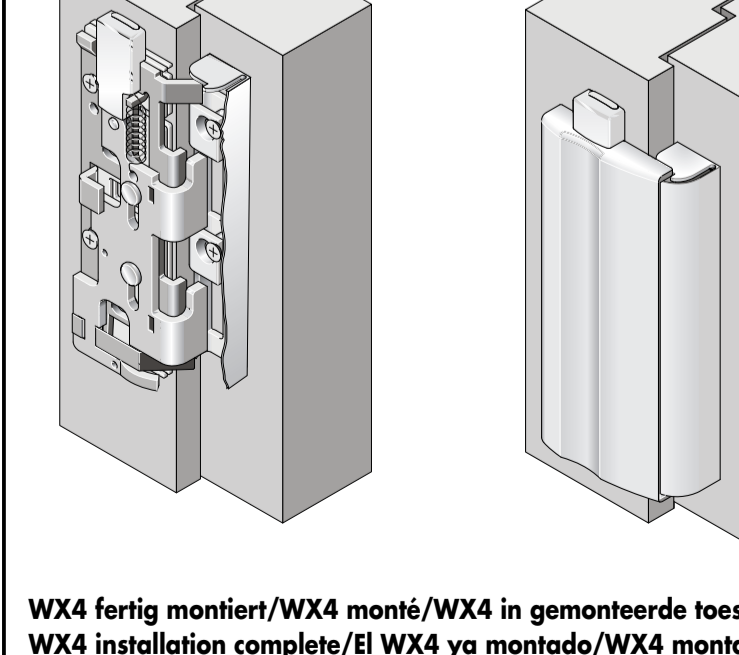
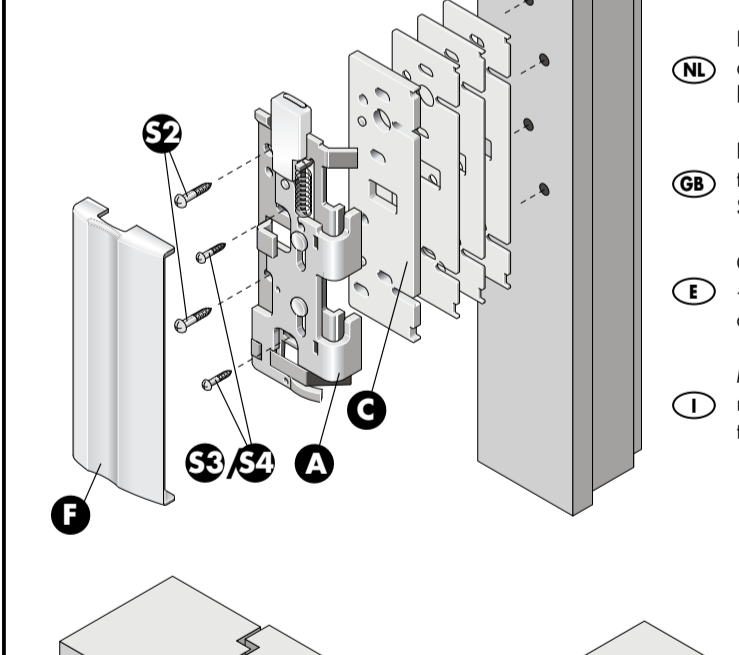
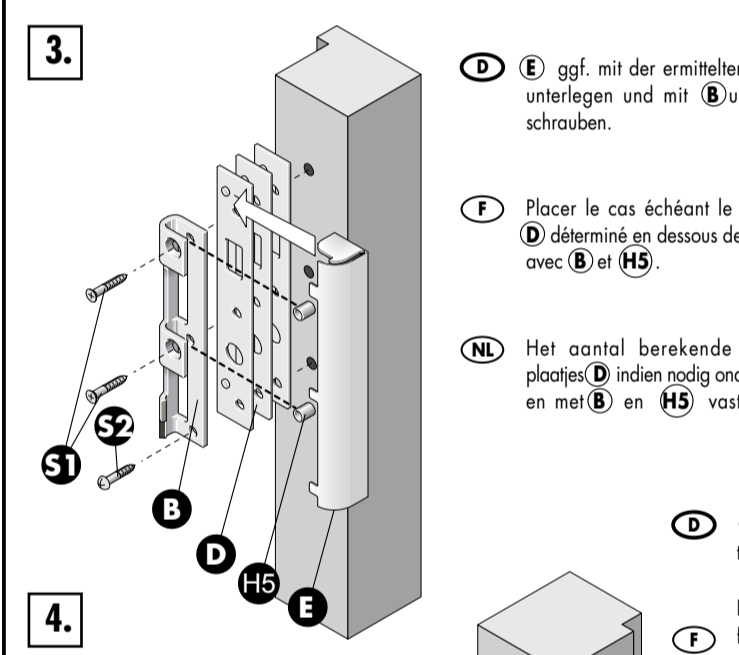
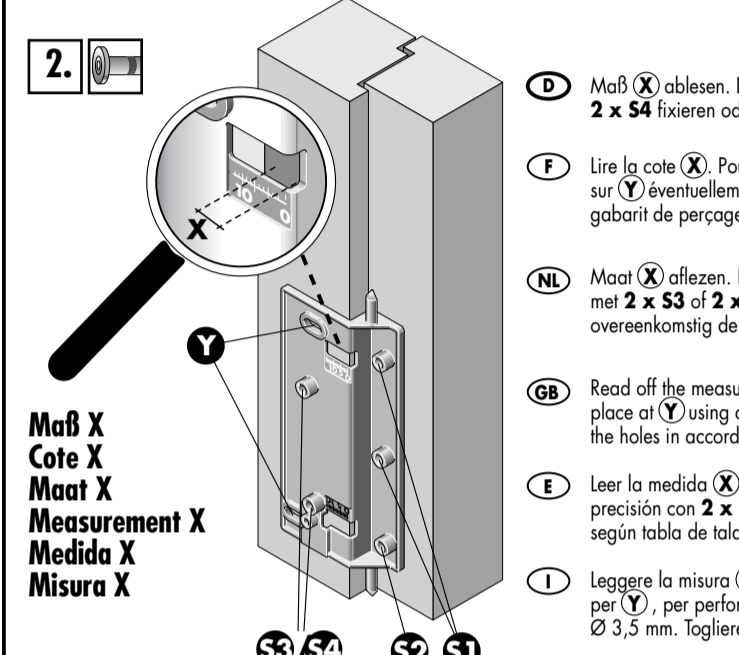
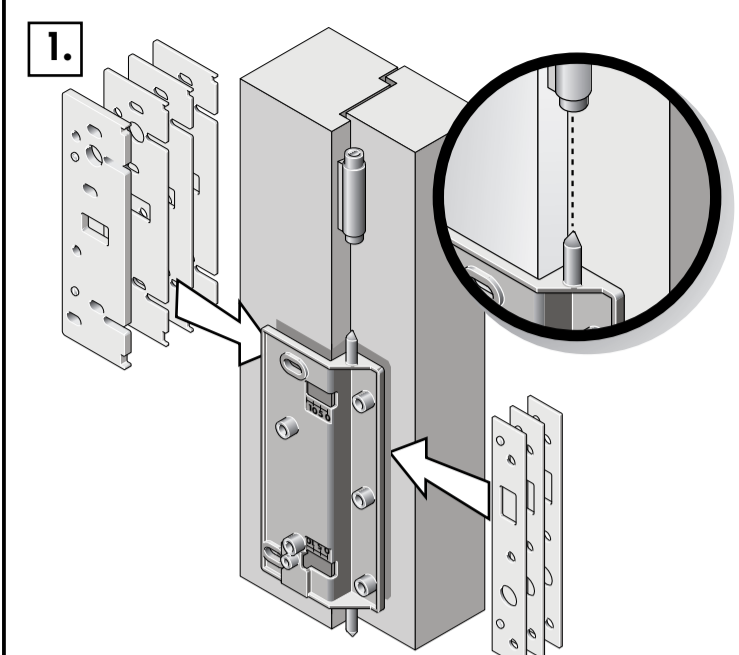
Werkzeug/Outillage/Gereedschap/Tools/Herramienta/Utensile

- Tool list including: Bohrer/Mèche/Boren/Drill/Taladro/Trapano (drill bits for wood, metal, plastic), Kreuzschlitz-Drehler/Tournevis cruciforme/Kruisvoorschroevendraaier/Cross-head screwdriver, and a list of screws and bolts.

Tips/Astuce/Tips/Tips/Consejos/Consigli

- General tips for installation, such as ensuring proper alignment, using the correct tools, and handling the window frame carefully to avoid damage.

Montage auf der Bandseite/Montage sur la côte penture/Montage aan de bandzijde/Installation on cord side/Montaje en la parte lateral/Montaggio sul lato del nastro



WX4 fertig montiert/WX4 monté/WX4 in gemonteerde toestand/WX4 installation complete/IL WX4 ya montado/WX4 montato

- Instructions for side mounting, including steps for marking, drilling, and securing the frame to the wall.

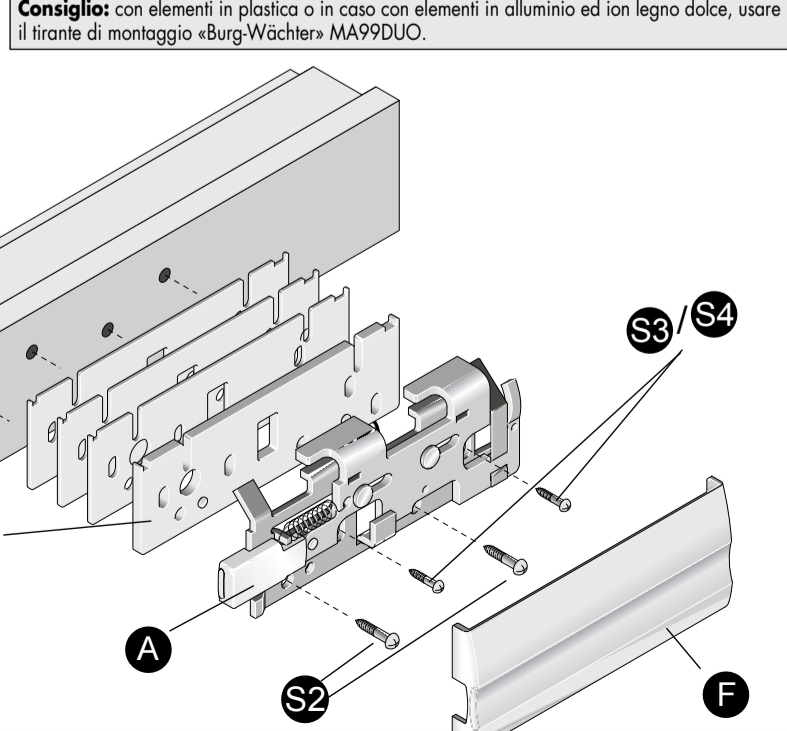
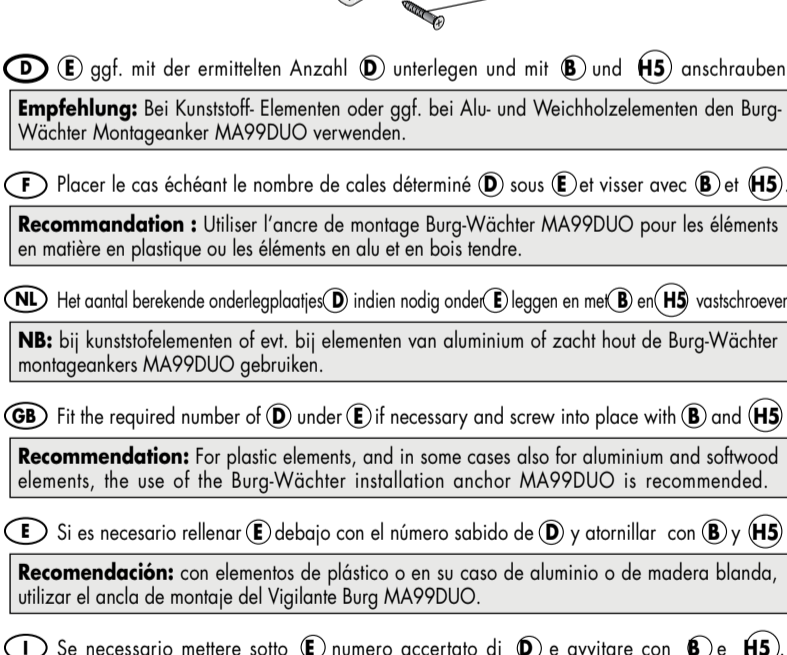
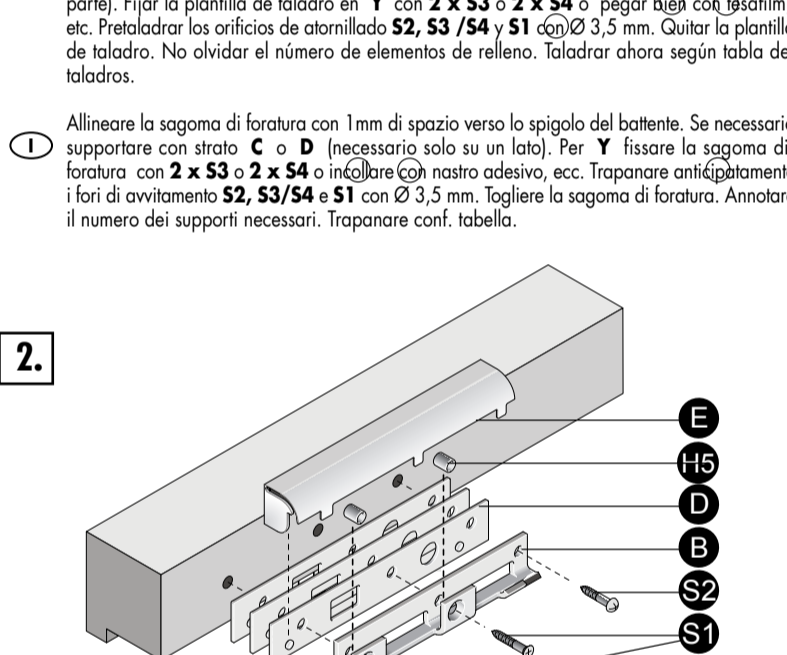
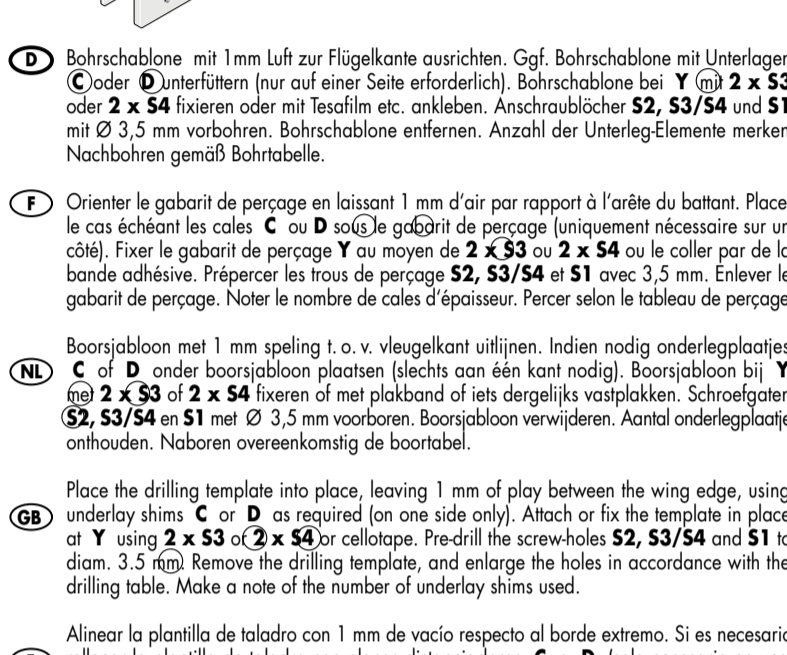
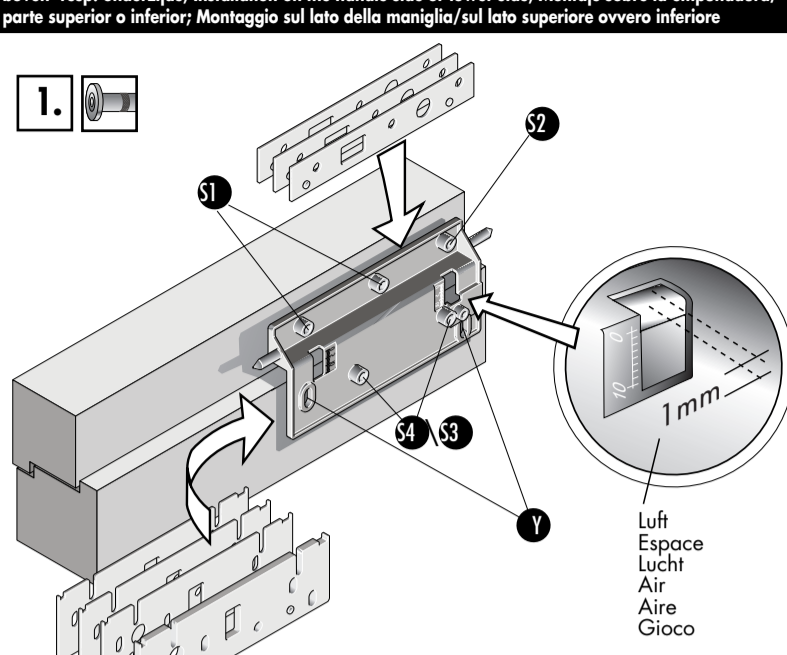
- Instructions for side mounting, including steps for marking, drilling, and securing the frame to the wall.

- Instructions for side mounting, including steps for marking, drilling, and securing the frame to the wall.

- Instructions for side mounting, including steps for marking, drilling, and securing the frame to the wall.

- Instructions for side mounting, including steps for marking, drilling, and securing the frame to the wall.

Montage auf der Griffseite/Oben-bzw. Unterseite: Montage côté poignée: Montage au-dessus/boven- resp. onderzijde/Installation on the handle side or lower side: Montage sobre la empuñadura/parte superior o inferior/Montaggio sul lato della maniglia/sul lato superiore ovvero inferiore



Montage eines Mauerankers in Kombination mit einem WX4/Montage d'un tirant en combinaison avec une WX4/Montage van een muuranker in combinatie met een WX4/Installation of masonry anchor in combination with a WX4/Montaje de un tirante en muro en combinación con una WX4/Montaggio di un tirante a muro abbinato a WX4

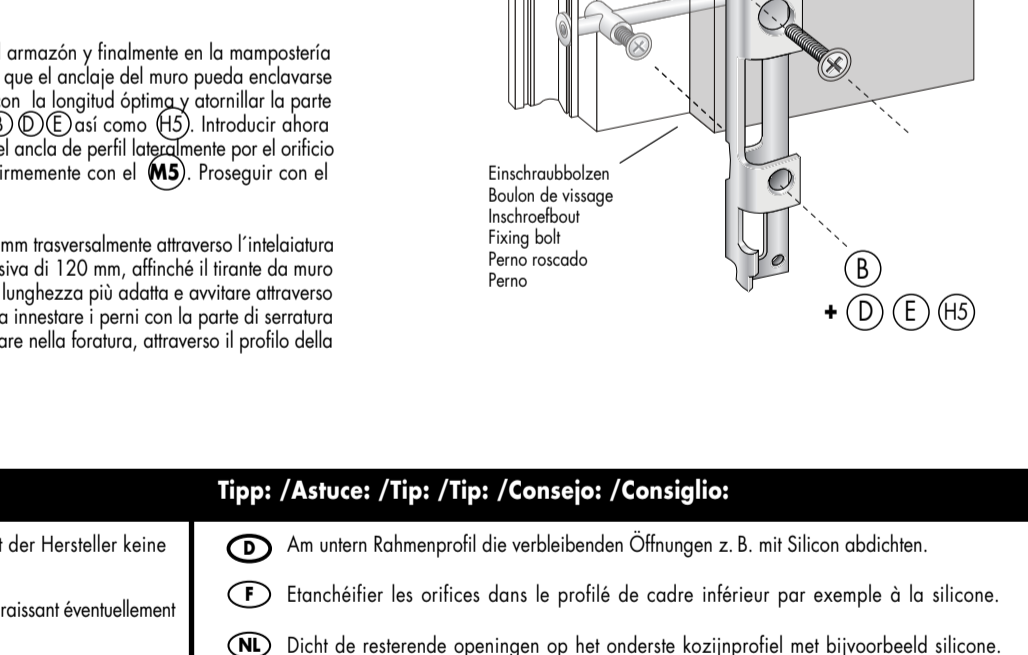
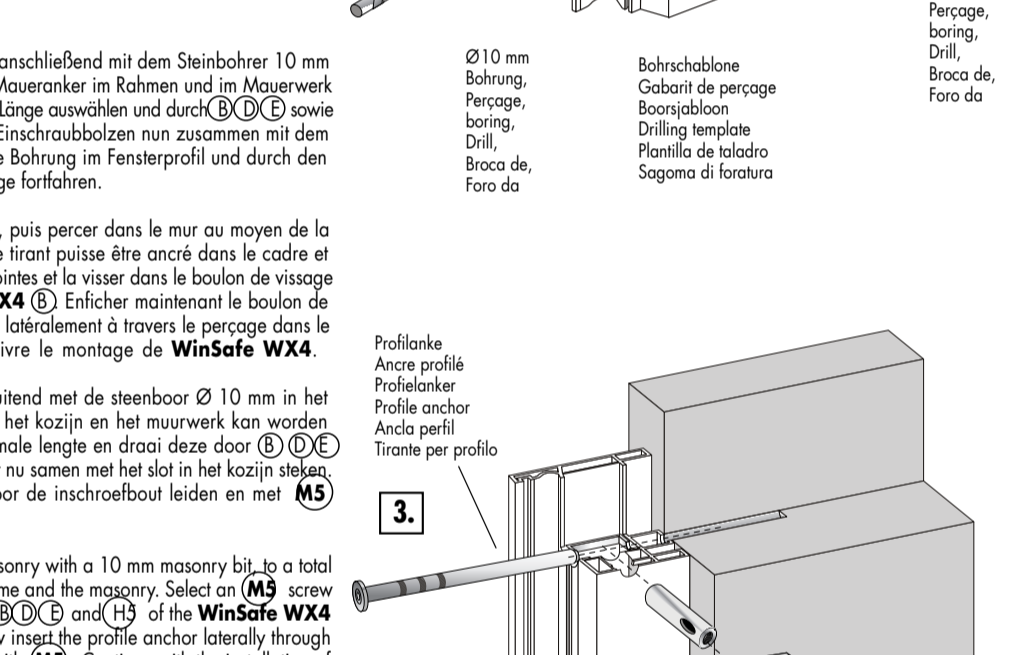
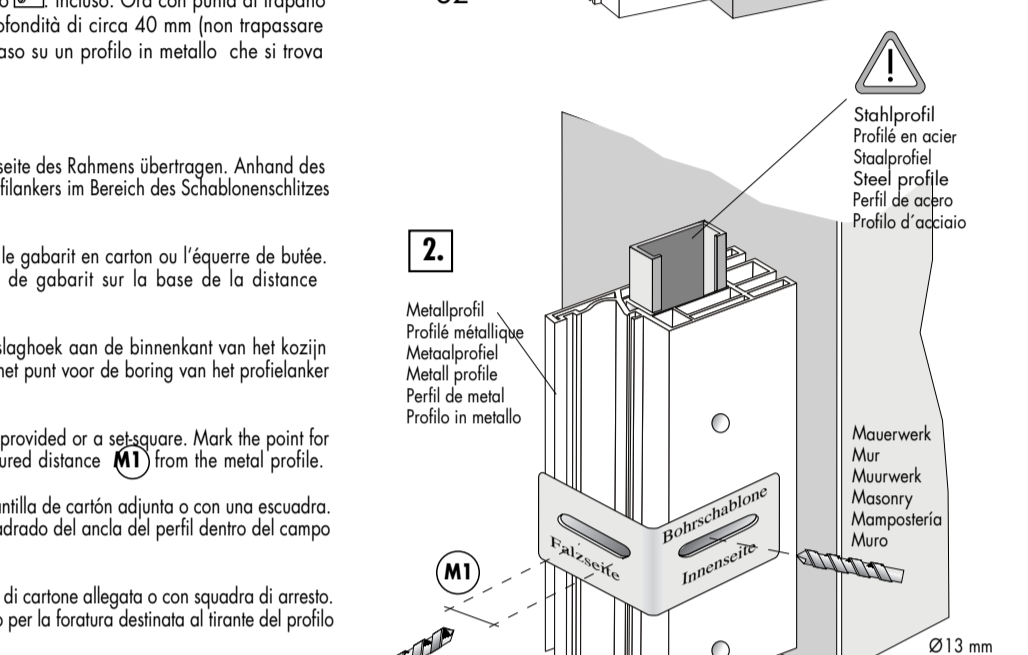
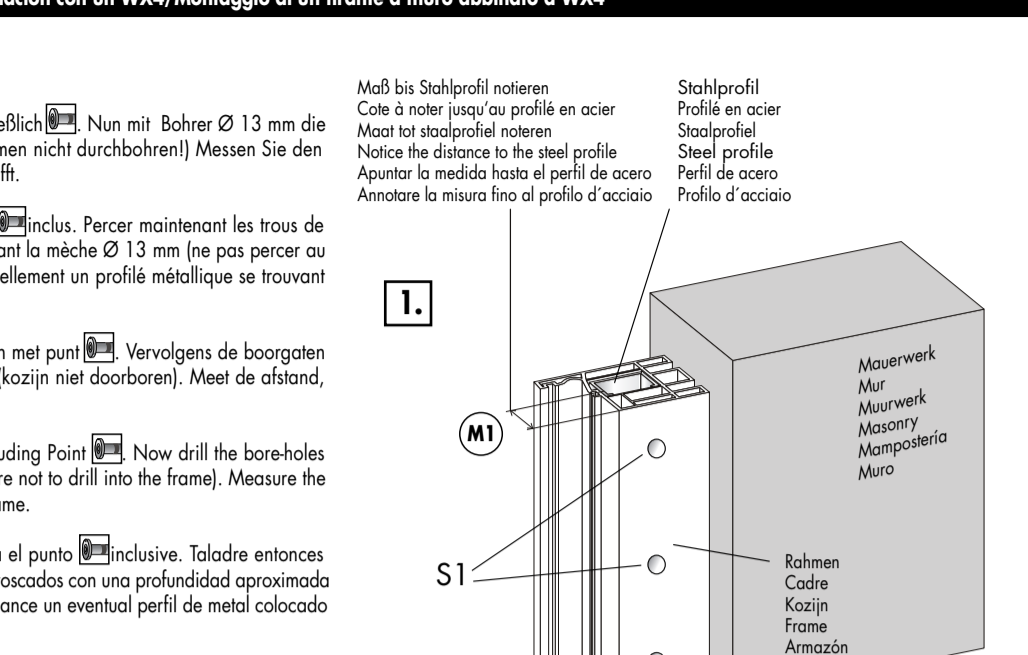
- Instructions for masonry anchor installation, including steps for marking, drilling, and securing the anchor.

- Instructions for masonry anchor installation, including steps for marking, drilling, and securing the anchor.

- Instructions for masonry anchor installation, including steps for marking, drilling, and securing the anchor.

- Instructions for masonry anchor installation, including steps for marking, drilling, and securing the anchor.

- Instructions for masonry anchor installation, including steps for marking, drilling, and securing the anchor.



- Instructions for masonry anchor installation, including steps for marking, drilling, and securing the anchor.