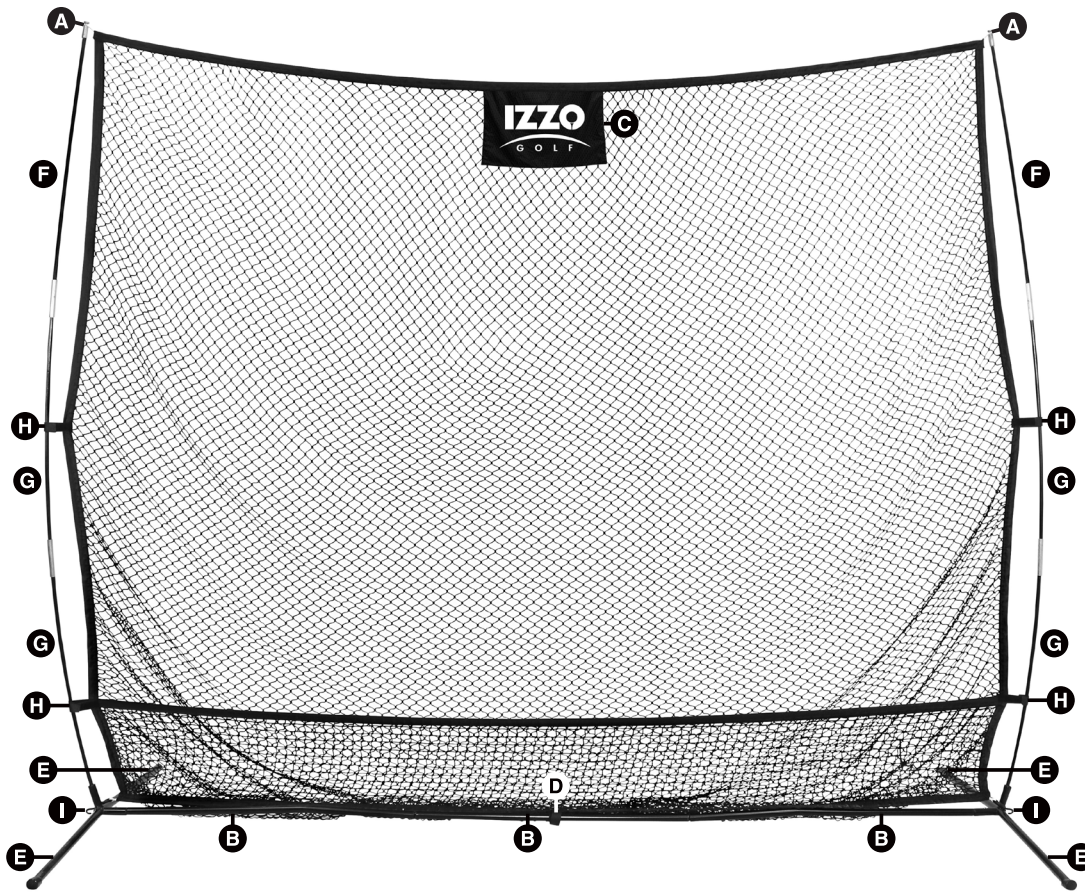


# 8' x 7' PRACTICE NET INSTRUCTIONS



## KEY:

- A. White Securing Loops (2)
- B. Base Poles (3)
- C. IZZO Golf Logo Tag
- D. Base Velcro Connector
- E. Side Base Frames (4)
- F. Top Frame Rods (2)
- G. Frame Rods (4)
- H. Side Velcro Connectors (4)
- I. Bottom Net Connectors (2)
- J. Metal Stakes (4)

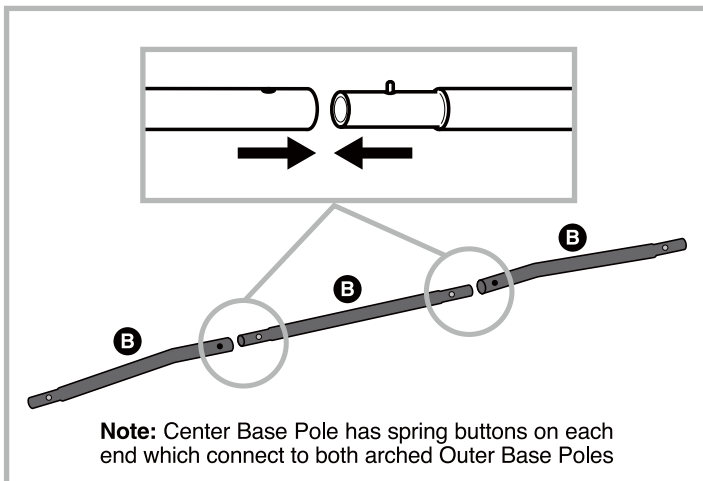
## INCLUDES:



## ASSEMBLY

### STEP 1

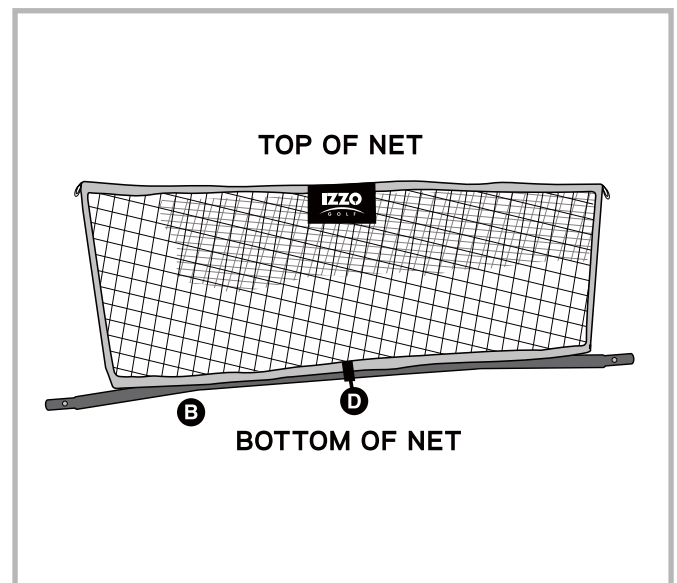
1. Lay net on the ground with **Base Velcro Connector (D)** closest to you (this is the bottom of the net) and the **White Securing Loops (A)** farthest away from you (this is the top of the net). Be sure **IZZO Golf logo tag (C)** is facing towards you.
2. Connect the (3) **Base Poles (B)** by pushing spring button in. Line button up with hole and push until you hear a click.



**Note:** Center Base Pole has spring buttons on each end which connect to both arched Outer Base Poles

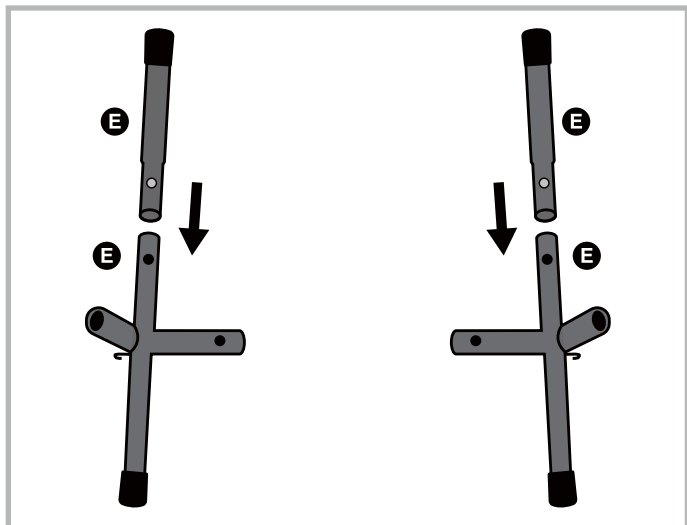
### STEP 2

Wrap the **Base Velcro Connector (D)** around center of **Base Pole (B)**.



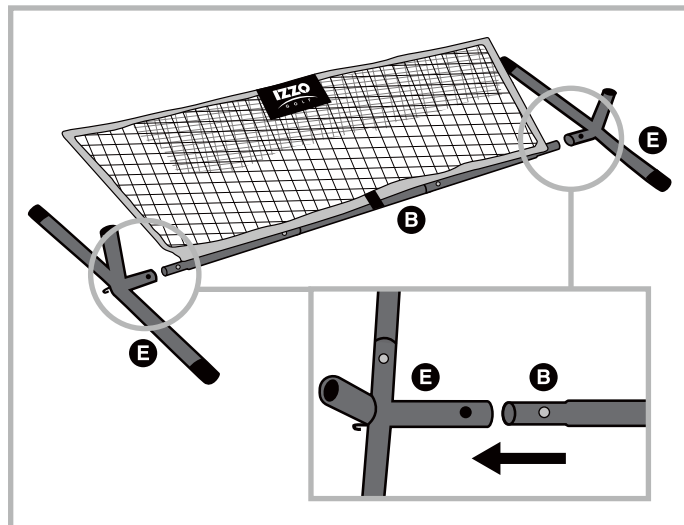
## STEP 3

Connect **Side Base Frames (E)** together by pushing spring button in. Line button up with hole & push until you hear a click. Repeat on other side.



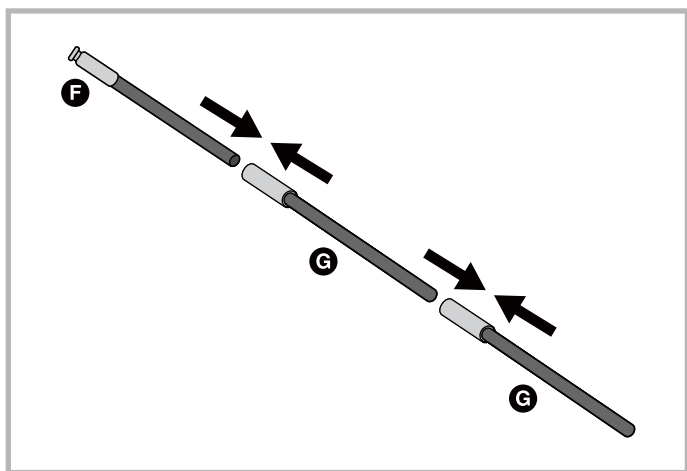
## STEP 4

Attach the connected **Base Poles (B)** to the **Side Base Frames (E)**. Repeat on other side.



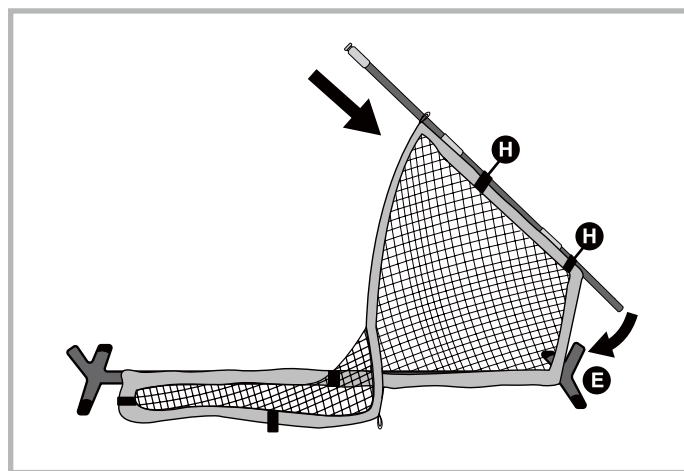
## STEP 5

Create the side frame poles by connecting the (2) **Top Frame Rods (F)** to the middle & bottom **Frame Rods (G)**. (The top frame rods are distinguished by the silver notched end).



## STEP 6

Take connected side frame poles and attach **Side Velcro Connectors (H)** at the middle & bottom of the net. Secure in **Side Base Frame (E)**. Make sure silver notched end of top frame pole is at the top of net. Repeat on other side.



## STEP 7

**FIGURE 1:** Take side frame pole by silver notch & loop **White Securing Loops (A)** at top of net around notch on top of frame pole. Repeat on other side.

**FIGURE 2:** Attach **Bottom Net Connectors (I)** (at the bottom corners of net) to metal hooks on **Side Base Frame (E)**.

## STEP 8

### FOR OUTDOOR USE ONLY

Secure net to ground by placing **Metal Stakes (J)** around base and pushing firmly into the ground.

