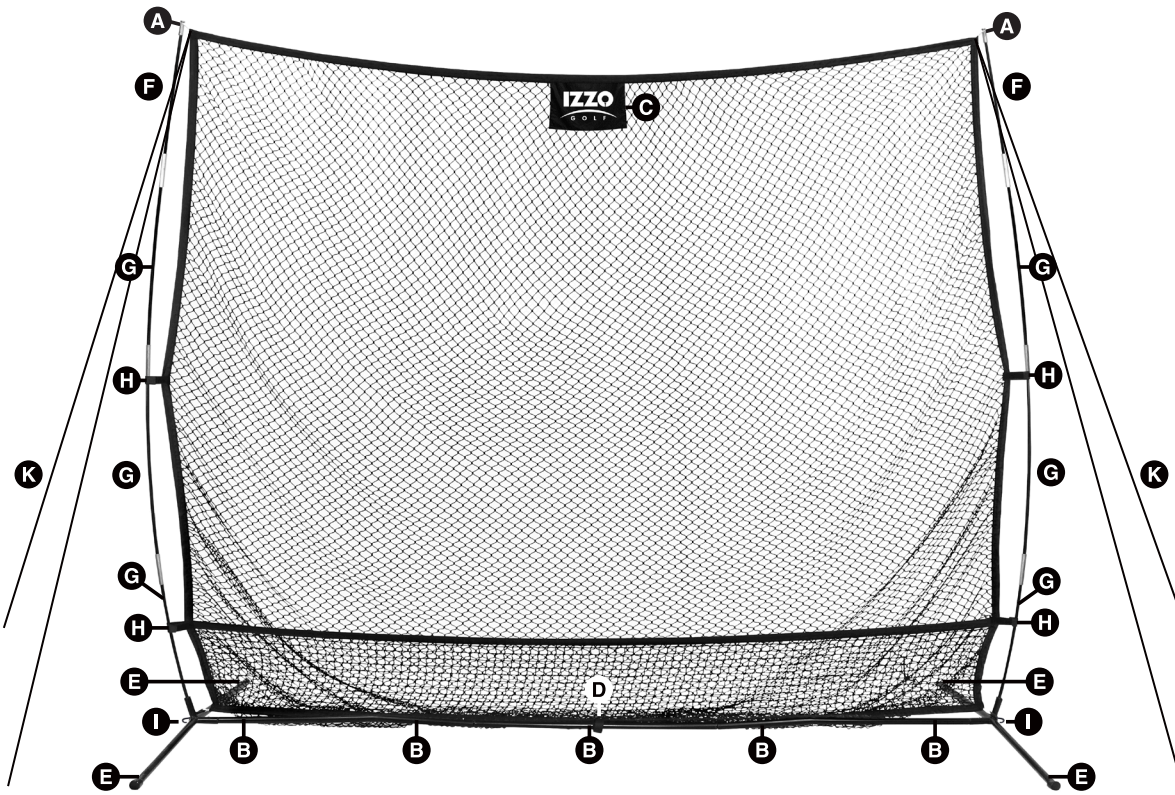


12' x 10' PRACTICE NET INSTRUCTIONS



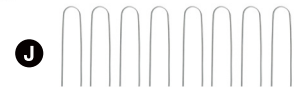
KEY:

- A. White Securing Loops (2)
- B. Base Poles (5)
- C. IZZO Golf Logo Tag
- D. Base Velcro Connector
- E. Side Base Frames (4)
- F. Top Frame Rods (2)
- G. Frame Rods (6)
- H. Side Velcro Connectors (4)
- I. Bottom Net Connectors (2)
- J. Metal Stakes (8)
- K. Stabilization Cords (4)

INCLUDES:



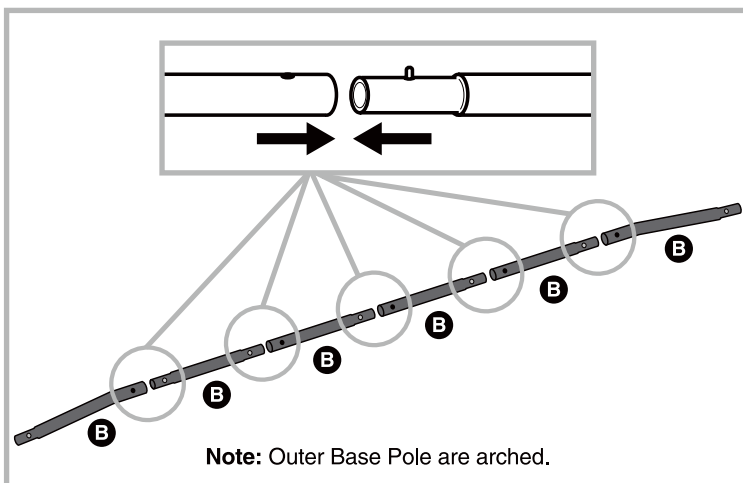
Carry Case



ASSEMBLY

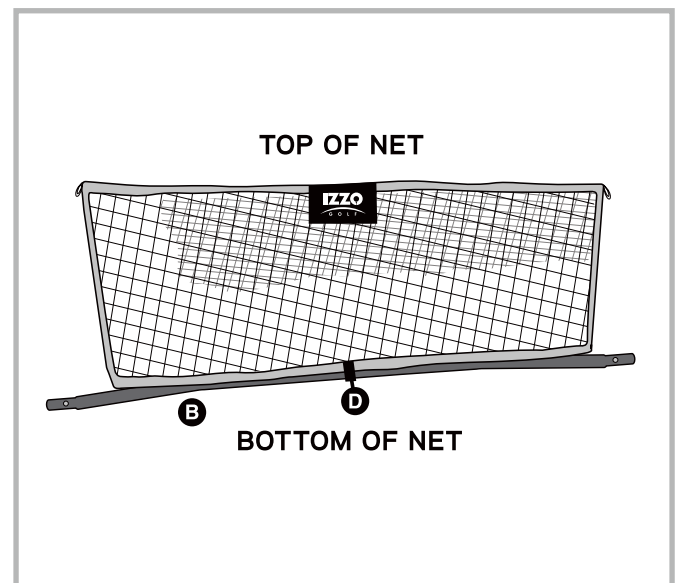
STEP 1

1. Lay net on the ground with **Base Velcro Connector (D)** closest to you (this is the bottom of the net) and the **White Securing Loops (A)** farthest away from you (this is the top of the net). Be sure **IZZO Golf logo tag (C)** is facing towards you.
2. Connect the (5) **Base Poles (B)** by pushing spring button in. Line button up with hole and push until you hear a click.



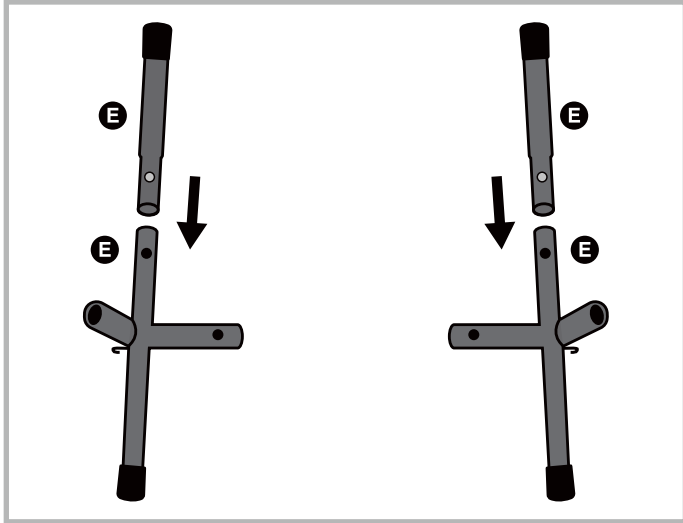
STEP 2

Wrap the **Base Velcro Connector (D)** around center of **Base Pole (B)**.



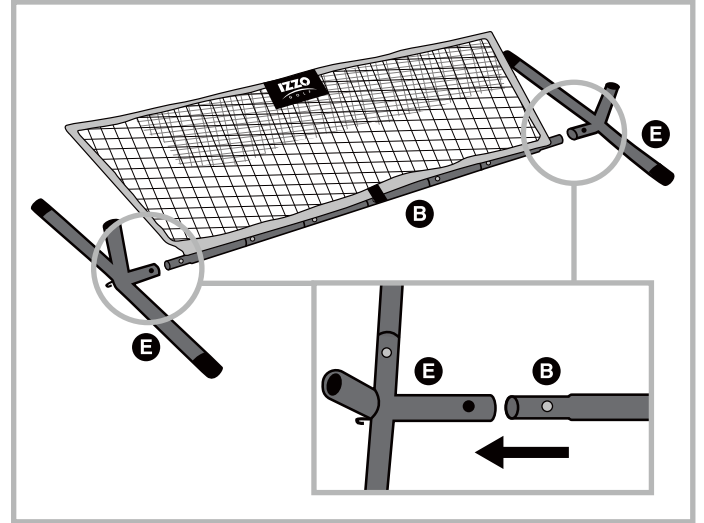
STEP 3

Connect **Side Base Frames (E)** together by pushing spring button in. Line button up with hole & push until you hear a click. Repeat on other side.



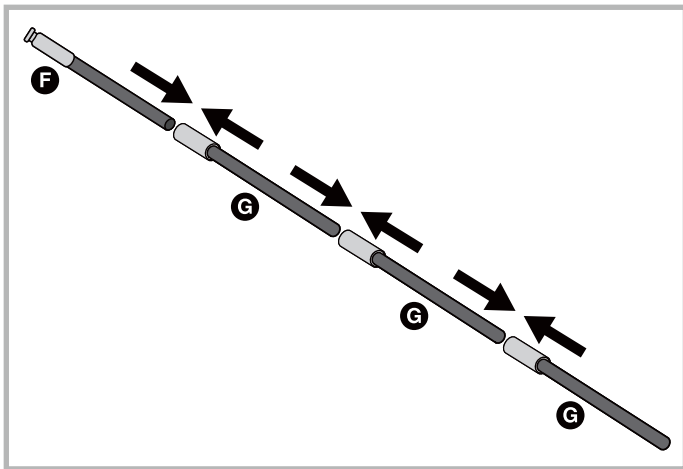
STEP 4

Attach the connected **Base Poles (B)** to the **Side Base Frames (E)**. Repeat on other side.



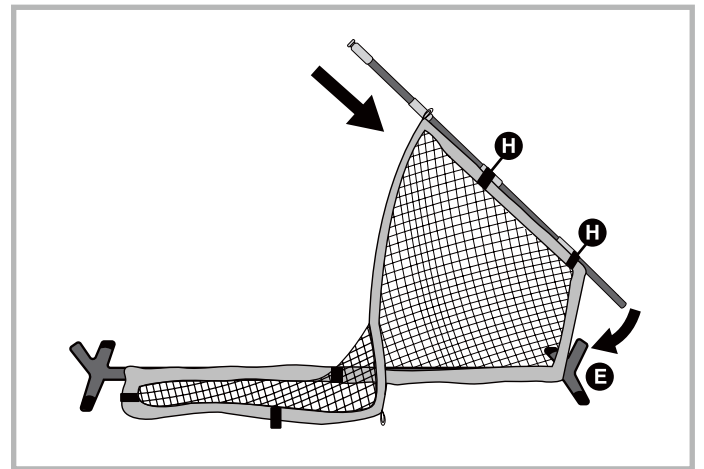
STEP 5

Create the side frame poles by connecting the (2) **Top Frame Rods (F)** to the middle & bottom **Frame Rods (G)**. (The top frame rods are distinguished by the silver notched end).



STEP 6

Take connected side frame poles and attach **Side Velcro Connectors (H)** at the middle & bottom of the net. Secure in **Side Base Frame (E)**. Make sure silver notched end of top frame pole is at the top of net. Repeat on other side.



STEP 7

FIGURE 1: Take side frame pole by silver notch & loop **White Securing Loops (A)** at top of net around notch on top of frame pole. Repeat on other side.

FIGURE 2: Attach **Bottom Net Connectors (I)** (at the bottom corners of net) to metal hooks on **Side Base Frame (E)**.

STEP 8

FOR OUTDOOR USE ONLY

Secure net to ground by placing **Metal Stakes (J)** around base and pushing firmly into the ground.

Pull **Stabilization Cords (K)** until fully extended, then secure to ground with metal stakes.

