

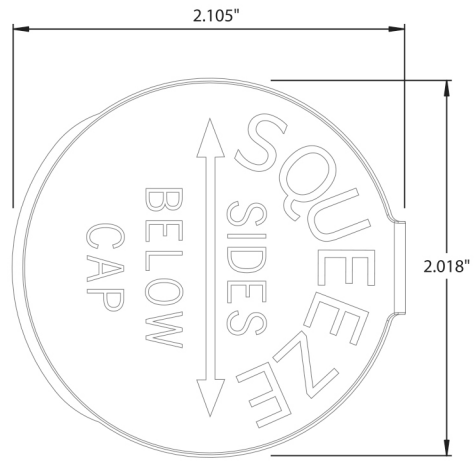
2

1

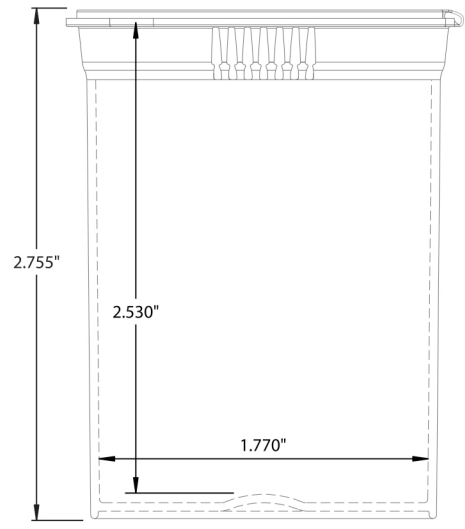
SQUEEZETOPS

B

B



PST-30



A

A

NOTE: All dimensions +/-0.030" unless otherwise noted.

PROPRIETARY AND CONFIDENTIAL
 THE INFORMATION CONTAINED IN
 THIS DRAWING IS THE SOLE
 PROPERTY OF [REDACTED]
 ANY REPRODUCTION IN PART OR AS
 A WHOLE WITHOUT THE WRITTEN
 PERMISSION OF [REDACTED]
 IS PROHIBITED.

DIMENSIONS ARE IN INCHES
 TOLERANCES:
 FRACTIONAL ±
 ANGULAR: MACH ± BEND ±
 TWO PLACE DECIMAL ±
 THREE PLACE DECIMAL ±

MATERIAL
 Clear Medical Grade PP
 Flint Hills 13T25A or Equivalent

NEXT ASSY	USED ON
-----------	---------

APPLICATION

FINISH

DO NOT SCALE DRAWING

	NAME	DATE
DRAWN	Frank Turcaz	2/21/2019

CHECKED		
ENG APPR.		
MFG APPR.		

Q.A.

COMMENTS:

SQUEEZETOPS PN PST-30 Part Specification Drawing

SIZE A	DWG. NO.	REV. 01
SCALE: 1:1	WEIGHT:	SHEET 1 OF 1

2

1