

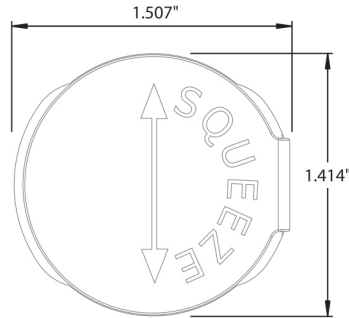
2

1

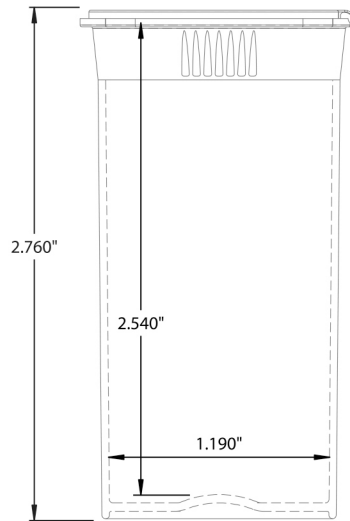
# SQUEEZETOPS

B

B



PST-13



NOTE: All dimensions +/-0.030" unless otherwise noted.

A

A

PROPRIETARY AND CONFIDENTIAL  
 THE INFORMATION CONTAINED IN  
 THIS DRAWING IS THE SOLE  
 PROPERTY OF ██████████  
 ANY REPRODUCTION IN PART OR AS  
 A WHOLE WITHOUT THE WRITTEN  
 PERMISSION OF ██████████  
 IS PROHIBITED.

DIMENSIONS ARE IN INCHES  
 TOLERANCES:  
 FRACTIONAL ±  
 ANGULAR: MACH ± BEND ±  
 TWO PLACE DECIMAL ±  
 THREE PLACE DECIMAL ±

MATERIAL  
 Clear Medical Grade PP  
 Flint Hills 13T25A or Equivalent

NEXT ASSY	USED ON
-----------	---------

FINISH

APPLICATION

DO NOT SCALE DRAWING

	NAME	DATE
DRAWN	Frank Turcaz	2/21/2019
CHECKED		
ENG APPR.		
MFG APPR.		
Q.A.		
COMMENTS:		

## SQUEEZETOPS PST-13 Part Specification Drawing

SIZE <b>A</b>	DWG. NO.	REV. <b>01</b>
SCALE: 1:1	WEIGHT:	SHEET 1 OF 1

2

1