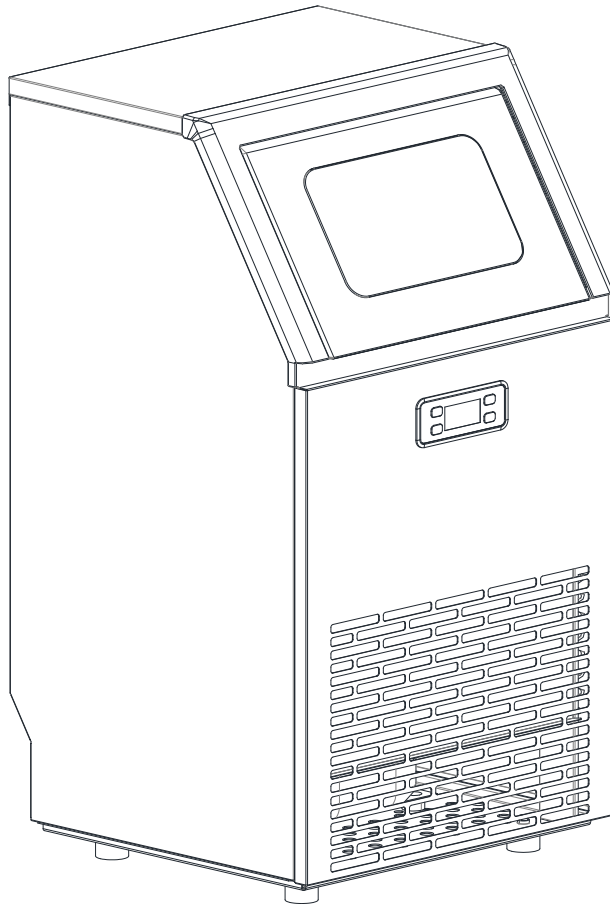


Automatic Ice Maker



Instruction Manual

Model: HZB-45A

To ensure proper use of this appliance and your safety, please read the following instructions carefully before operating this appliance.

CONTENTS

IMPORTANT SAFETY-----	2
SPECIFICATION-----	4
DIMENSION/CONNECTION-----	4
RATING-----	4
GENERAL INFORMATION-----	5
MAIN UNIT CONSTRUCTION-----	5
ICE-MAKING AND ITS WATER TANK PARTS-----	5
OPERATION PANEL-----	6
EXPLOSIVE DRAWING-----	7
OPERATING PROCEDURE AND MAINTENANCE-----	9
UNPACKING YOUR ICE MAKER-----	9
INSTALLATION LOCATION REQUIREMENT-----	9
ELECTRICAL REQUIREMENT & CONNECTIONS-----	10
CLEANING YOUR ICE MAKER BEFROE FIRST USING-----	10
WATER CONNECTION TO YOUR ICE MAKER-----	11
OPERATE YOUR UNIT-----	12
THE ICE MAKING PROCESS-----	12
AUTOMATIC SELF-CLEANING PROGRAM-----	13
WIRING DIAGRAM-----	14
NORMAL SOUNDS-----	14
PREPARING ICE MAKER FOR LONG STORAGE-----	15
CLEANING AND MAINENANCE -----	15
EXTERIOR CLEANING-----	16
INTERIOR CLEANING-----	16
ICE MAKING PARTS CLEANING-----	16
ICE MAKING ASSEMBLY SYSTEM CLEANING-----	18
CLEANING SUGGESTION-----	19
NORMAL TROUBLE SHOOTING-----	20
CORRECT DISPOSAL OF THIS PRODUCT-----	21

IMPORTANT SAFETY

When using electrical appliances, basic safety precautions should be followed to reduce the risk of fire, electric shock, and injury to persons or property. Read all instructions before using any appliance.

Use this appliance only for its intended purpose as described in this owner's manual.

This ice-maker must be properly installed in accordance with the installation instructions before it is used.

This unit must be positioned so that the plug is accessible. Do not run cord over carpeting or other heat insulators. Do not cover the cord. Keep cord away from traffic areas, and do not submerge in water. No other appliance should be plugged into the same outlet, and be sure that the plug is fully inserted into the receptacle.

We do not recommend the use of extension cord as it may overheat and cause a risk of fire. If you must use an extension cord, use No.14AWG minimum size and rated no less than 1875 watts.

If the supply cord is damaged, it must be replaced by the manufacturer or its service agent or a similarly qualified person in order to avoid a hazard.

Disconnect the mains plug from the supply socket when not in use for a long term, where supply connection is via mains plug.

Remove power plug or disconnect from the mains before cleaning or servicing the appliance. **NOTE:** *If for any reason this product requires service, we strongly recommend that a certified technician perform the service.*

Never unplug you unit by pulling on the power cord. Always grasp the plug firmly and pull straight out from the outlet.

Do not use your unit outdoors. Keep the unit away from direct sunlight and make sure that there is at least 6 inches of space between the back of your unit and wall and keep the front free. Keep ventilation opening in the appliance enclosure or in the built-in structure, clear of obstruction.

Do not tip over the unit which will cause abnormal noisy and make the ice-cube size abnormal. And seriously, it may cause water leakage from the unit.

If the unit is brought in from outside in the winter season, give it a few hours to warm up to room temperature before plugging it in.

Do not use other liquid to make the ice-cube other than water.

Do not clean your ice maker with flammable fluids. The fumes can create a fire hazard or explosion.

- **WARNING:** This appliance must be earthed. Use the proper power source according to the nameplate.
- **WARNING:** Keep ventilation openings, in the appliance enclosure or in the built-in structure, clear of obstruction.
- **WARNING:** Do not damage the refrigerant circuit.
- **WARNING:** This appliance is not intended for use by persons (including children) with reduced physical, sensory or mental capabilities, or lack of experience and knowledge, unless they have been given supervision or instruction concerning use of the

appliance by a person responsible for their safety.

- **WARNING:** Children should be supervised to ensure that they do not play with the appliance.
- **WARNING:** This appliance must be earthed. And use the 110-120V/60Hz earthed power supply.
- **WARNING:** Do not store explosive substances such as aerosol cans with a flammable propellant in this appliance.
- **DANGER – Risk Of Fire or Explosion. Flammable Refrigerant Used. Do Not Use Mechanical Devices To Defrost Ice Maker. Do Not Puncture Refrigerant Tubing.**



DANGER – Risk Of Fire Or Explosion. Flammable Refrigerant Used. To Be

Repaired Only By Trained Service Personnel. Do Not Puncture Refrigerant Tubing.

- **CAUTION – Risk Of Fire Or Explosion. Flammable Refrigerant Used. Consult Repair Manual/Owner’s Guide Before Attempting To Install or Service This Product. All Safety Precautions Must be Followed.**
- **CAUTION – Risk Of Fire Or Explosion. Dispose Of Property In Accordance With Federal Or Local Regulations. Flammable Refrigerant Used .**
- **CAUTION-Risk Of Fire Or Explosion Due To Puncture Of Refrigerant Tubing;Follow Handling Instructions Carefully. Flammable Refrigerant Used.**
- **The ice maker should be installed in accordance with the safety standard for Refrigeration Systems, ASHRAE15. The ice maker shall not be installed in corridors or hallways of public buildings.**
- **If the unit is with problem need to be maintained, that replacing with like components and that servicing shall be done by factory authorized service personnel, so as to minimize the risk of possible ignition due to incorrect parts or improper service.**
- **WARNING: Keep ventilation openings, in the appliance enclosure or in the built-in structure, clear of obstruction.**
- **WARNING:This appliance is intended to be used in household and similar applications such as**
 - Eg.staff kitchen areas in shops, offices and other working environments;
 - Eg. farm houses and by clients in hotels, motels and other residential type environments;
 - Eg.bed and breakfast type environments;
 - Eg.catering and similar non-retail applications.

IMPORTANT:

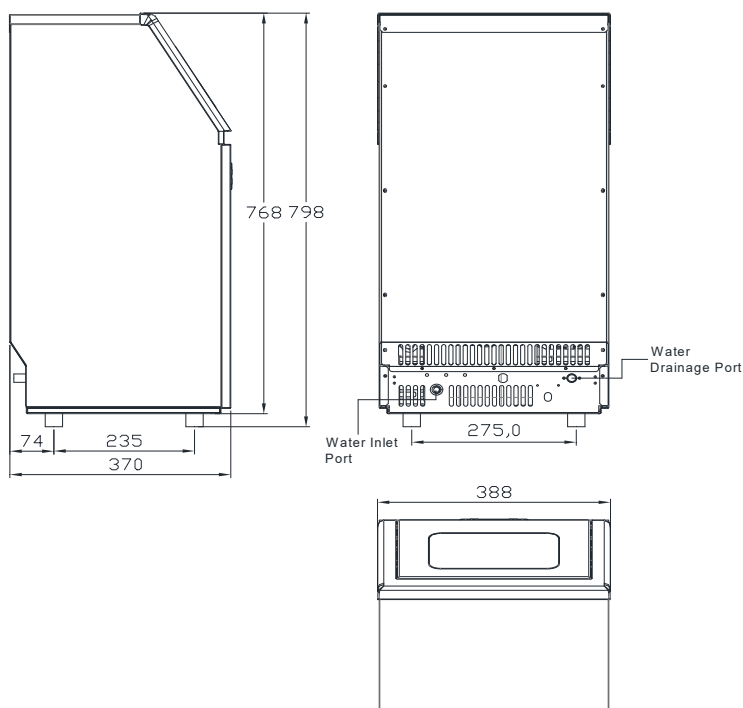
The wires in this mains lead are colored in accordance with the following code:

Green or Green with a strip yellow:	Grounding
White:	Neutral
Black:	Live

- **To avoid a hazard due to instability of the appliance, it must be placed at a even or flat surface.**

SPECIFICATIONS

1) DIMENSIONS/CONNECTIONS



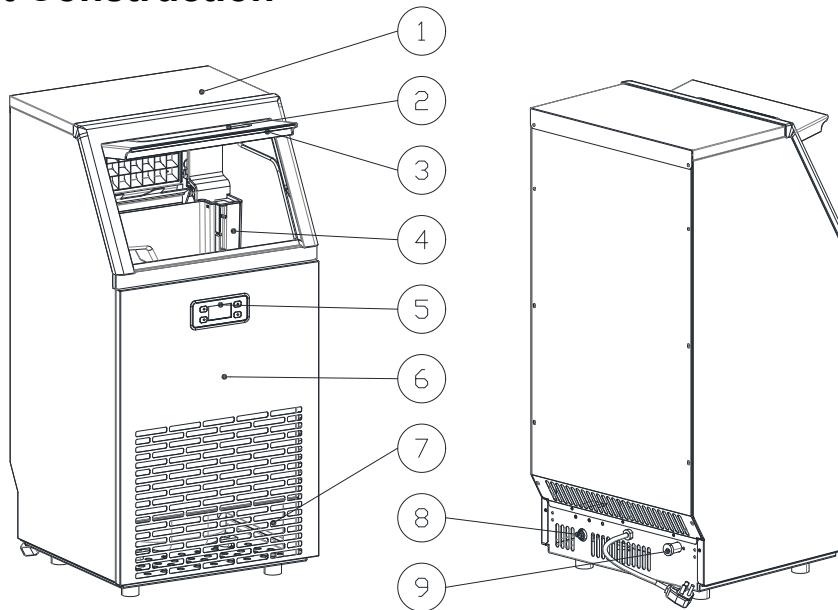
2) Rating

MODEL	HZB-45A
POWER SUPPLY VOLTAGE	1Phase, 110-120/60Hz
CLAIMATE CLASS	10-40°C
ELECTRICAL PROTECTION CLASS	I
ICE MAKING RATING (Amps)	2.2Amp
ICE HARVEST RATING (Amps)	2.5Amp
ICE MAKING CAPACITY (KG/24H)	45kg/24Hour *
REFRIGERANT CHARGE	R290 3.35Oz / 53g
NET WEIGHT(lbs)	59 lbs
VESICANT	C ₅ H ₁₀
UNIT DIMENSIONS(W X D X H) (mm)	388 x 370 x 798
WATER CONSUMPTION(L/24H)	50L
MAX ICE STORAGE CAPACITY(lbs)	33lbs
ACCESSORIES	SHOVEL, INSTALLATION KITS
CONNECTION	POWER CORD----18AWG WATER SUPPLY----6.35mm diameter DRAIN---- Φ 16 SYLPHON BELLOWS(REAR)
RUNNING CONDITIONS	ROOM TEMP 50-110 Fahrenheit WATER SUPPLY TEMP 41-95 Fahrenheit WATER SUPPLY PRESSURE 0.04-0.6 MPa

NOTE *: TESTED AT 70 Fahrenheit ROOM TEMPERATURE AND 50 Fahrenheit WATER TEMPERATURE.

GENERAL INFORMATION

1) Main Unit Construction



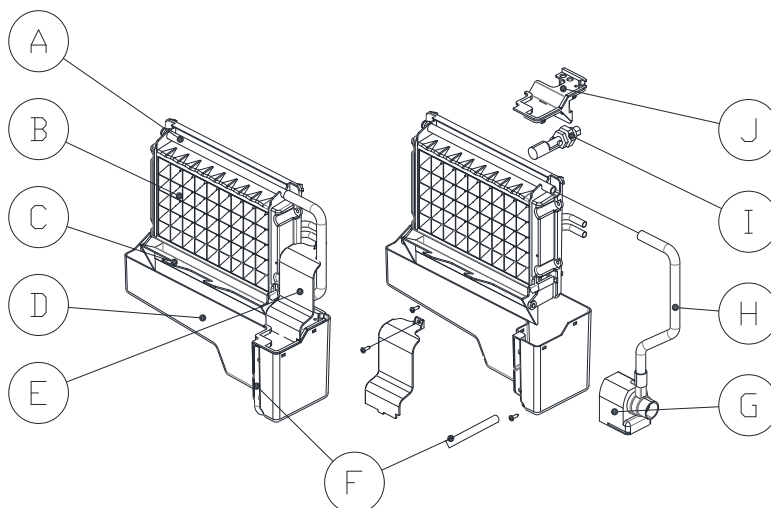
1. Top cover
2. Clear window
3. Door for ice taking
4. Ice-making & its water tank assembly: Including ice-making evaporator, water tank, water pump and some detecting parts
5. Operation panel
6. Front panel
7. Air outlet: Must keep the air circulate smoothly, hot air will blow out when unit running
8. Water inlet port for water supply: Use to connect the water supply pipe
9. Water draining port: Normal plugged with the cap. When need to drain the water, unplug the cap. And connect the white drain pipe

Accessory: 2-meter grey water drainpipe.

water quick connector of the water faucet,

∅6.35mm diameter white water supply pipe(3 meters long) .

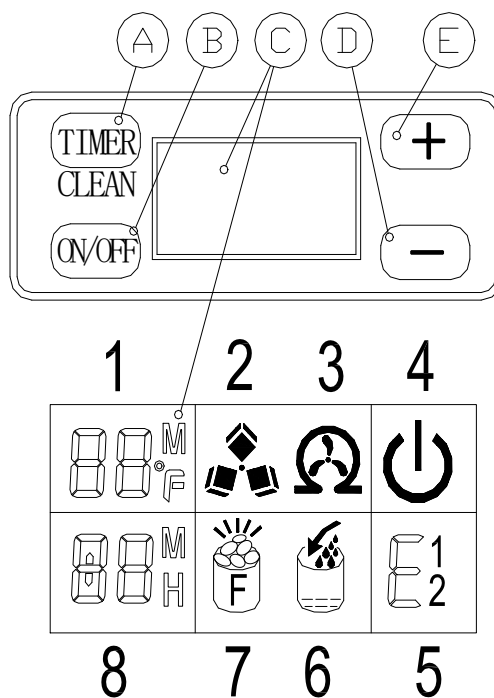
2) Ice-making and its water tank parts



- A. Water dividing pipe: with nine little holes, water will flow out from these little holes. And if there is no water flows out, it should be disassembled and cleaned.
- B. Evaporator (ice-making module).
- C. Ice full detecting board: Use to detect if the inner cabinet is full of ice or not, and to check the the ice-harvest process is over or not.
- D. Water tank.
- E. Cover board on the right side of the evaporator.
- F. Water drain pipe of the water tank: when ice-making, this pipe should be clamped in the slot of the water tank wall; And when draining, this pipe should be pulled out.
- G. Water pump.
- H. Water supplying pipe.
- I. Water level detecting switch.
- J. Water level switch installing plate.

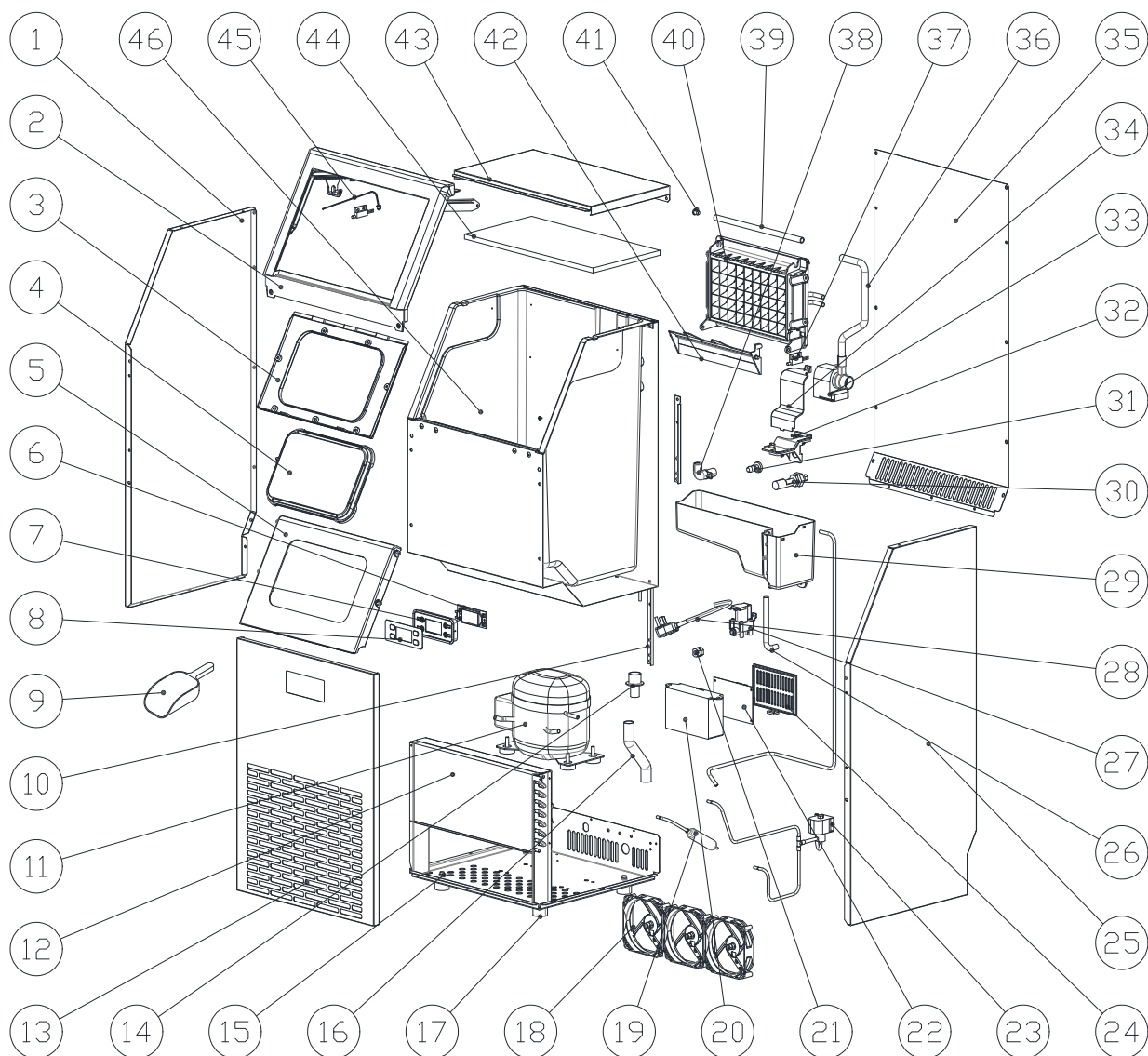
3) Operation panel

- A. "TIMER CLEAN" button:
Quickly press this button once to enter the Timer setting program; And press this button for more than 5 seconds to enter the Cleaning program.
- B. "ON/OFF" button:
When the unit is off, press this button to turn on the unit; And during the Self-cleaning program, or normal ice-making state, press this button to turn off the unit at once; And also if the unit is set with the Timer, press this button to cancel the Timer setting. When the unit is making the ice cubes, press this button for more than 5 seconds, the unit will switch to ice harvest process by force.



- C. LCD display window
 - 1.Environmental temperature display and ice-making time countdown display. Display ice-making time countdown with M as the unit display, and display environmental temperature with F as the unit display.
 2. Making ice and deice symbol display, the machine is making ice when the symbol rotates, and the machine is deice when the symbol flashes .
 3. Automatic self-cleaning symbol display
 4. On/off symbol display
 5. Error code display, E1 means the environmental temperature sensor is damaged., E2 means ice-making anomaly or the refrigerant leaked
 6. Water flow in and water shortage display, the arrow flashing indicates that the machine is in the water, the whole symbol is bright to indicate that the machine is short of water.
 7. Ice full alarm, the machine will make ices again even when you take out the ice.
 8. Setting display. Display timing switch machine with the H as unit display; Display ice-making time setting with M as unit display.
- D&E. "+" 、 "-" button:
Used to adjust the ice-making process duration period length, the default setting is zero, 1 minute adding or decreasing per each pressing of "+" or "-" button.
Also to adjust the delay time of the timer, the default setting is zero, 1 hour adding or decreasing per each pressing of "+" or "-" button.

4) EXPLOSIVE DRAWINGS



No.	Parts Name	Material	Qty.
1	Left side plate	430 Stainless steel (Optional)	1
2	Door for ice taking	PP	1
3	Door for ice taking lower cover	ABS	1
4	Clear window	ABS	1
5	Door upper cover of Ice taking	ABS	1
6	Operation panel PCB	Electrical and Electronic parts	1
7	Operation panel PCB box	ABS	1
8	Operation panel paper	PET	1
9	Ice shovel	ABS	1

10	Foaming bracket	Zinc-plated steel board	2
11	Compressor	AC110-20V, 60Hz	1
12	Condenser	Copper tube and aluminum fin	1
13	Front panel	Stainless steel	1
14	Drain joint	ABS	1
15	Bottom plate	Zinc-plated steel board	1
16	Water outlet pipe of the inner cabinet	Silicone pipe	1
17	Adjustable foot	ABS and bolts	4
18	DC fan	DC12V, Electrical parts	3
19	Dry filter	Copper	1
20	Electrical PCB box	ABS, fire-retardant	1
21	Clipper of the power cord	PP, fire-retardant	1
22	Main control PCB	PCB, Electrical parts	1
23	Ice-harvesting Electro-magnetic valve	AC115V/60Hz, Electrical parts	1
24	Cover of the main control PCB	ABS, fire-retardant	1
25	Right side plate	430 stainless steel (Optional)	1
26	Water drainage pipe of the water tank	Silicone pipe	1
27	Water inlet valve	DC12V Electrical parts	1
28	Power cord	Electrical parts	1
29	Water tank	ABS	1
30	Water level detecting switch	DC5V, Electrical parts	1
31	Water drainage cap	Rubber	1
32	Cover of the water tank	ABS	1
33	Water circulation pump	AC110-120V, 60Hz, Electrical parts	1
34	Cover board on the right side of the evaporator	ABS	1
35	Rear plate	Zinc-plated steel	1
36	Water supplying pipe	Silicone pipe	1
37	Magnetic control switch	DC5V, Electrical parts	2
38	Water drainage port	ABS	1
39	Water dividing pipe, with nine holes	ABS	1
40	Evaporator and its frame	Copper plated with nickle, and ABS frame	1
41	Cap of the water dividing pipe	Silicone	1
42	Ice-full detecting plate	ABS	1
43	Top cover	Stainless steel	1
44	Insulation sponge of the top cover	PE	1
45	LED lamp	DC5V, Electrical parts	1
46	Foaming inner cabinet & Ice storing bin	HIPS and Cyclopentane foaming	1

OPERATING PROCEDURES & MAINTENANCE

UNPACKING YOUR ICE MAKER

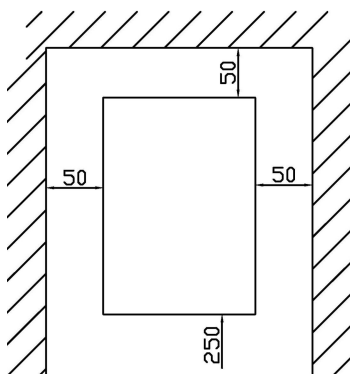
1. Remove the exterior and interior packaging. Check if all the accessories, including the instruction manual, ice scoop, white water inlet pipe, 4 ways to 2 ways water quick connector and the water draining pipe, etc., are inside or not. If any parts are missing, please contact our customer service.
2. Remove the tapes for fixing the door and inner cabinet, ice scoop, etc.. Roughly clean the inner cabinet & ice scoop with a wet cloth.
3. Put the ice maker on a level & flat floor, without direct sunlight and other sources of heat (i.e.: stove, furnace, radiator). Make sure that there is at least 20cm gap between the air outlet and the obstacles, and at least 5 cm between Left/Right side and the wall.
4. Allow 4 hours for the refrigerant fluid to settle before plugging the ice maker in if the unit may fall upside down during shipping or transportation.
5. The appliance must be positioned so that the plug is accessible.

WARNING: connect to the potable water supplying only. Only use drinking water.

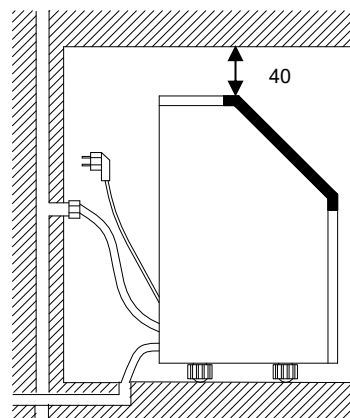
INSTALLATION LOCATION REQUIREMENT

- a) This unit is not for outdoor use. Keep the proper room temperature and inlet water temperature according to above specification table. Otherwise it will affect the ice making performance.
- b) This unit should not be located near any heat resources.
- c) The unit should be located on a firm & level foundation at normal counter top height.
- d) There must be at least 5CM clearance at rear side for connection and 25 CM clearance in front to open the door and keep good air circulation.
- e) Do not put anything on the top of the ice maker.

Installation clearance
top view (1:10) (mm)



Side view (mm)



To ensure proper ventilation for your ice maker, the front of the unit must be completely unobstructed (at least 20CM free space). Allow at least 50 mm clearance at rear, and 50 mm at top and sides for proper air circulation. The installation should allow the ice maker to be pulled forward for servicing if

necessary.

When installing the ice maker under a counter, follow the recommended spacing dimensions shown above. Place electrical and water supplies and drain fixtures in the recommended locations as shown. Choose a well-ventilated area with temperatures above 50 Fahrenheit and below 90 Fahrenheit. This unit **MUST** be installed in an area protected from the elements, such as wind, rain, water spray or drips. The ice maker requires a continuous water supply with pressure 1-8 Bar as required in above specification table. The temperature of the water feeding into the ice maker should be between 41 Fahrenheit and 77 Fahrenheit for proper operation.

ELECTRICAL REQUIREMENT & CONNECTIONS

WARNING: THIS UNIT MUST BE EARTHED.

Electrical Shock Hazard

Plug into a grounding wall outlet.

Never remove the ground prong.

Use a separate power supply or receptacle.

Never use an adapter.

Never use an extension cord.

Failure to follow these instructions can result in death, fire, or electrical shock.

Before you move your ice maker into its final location, it is important to make sure you have the proper electrical connection.

It is recommended that a separate circuit, serving only your ice maker, be provided. Use receptacles that cannot be turned off by a switch or pull chain. If the supply cord or plug to be replaced, it should be done by a qualified service engineer.

This appliance requires a standard 110-120Volt, 60Hz electrical outlet with good grounding means.

Recommended grounding method

For your personal safety, this appliance must be properly grounded. This appliance is equipped with a power supply cord having a grounding plug. To minimize possible shock hazard, the cord must be plugged into a mating grounding-type wall receptacle, grounded in accordance with the National Electrical Code and local codes and ordinances. If a mating wall receptacle is not available, it is the personal responsibility of the customers to have a properly grounding wall receptacle installed by a qualified electrician.

CLEANING YOUR ICE MAKER BEFORE FIRST USE

Before using your ice maker, it is strongly recommended to clean it thoroughly.

1. Open the ice-getting door.
2. Clean with diluted detergent, warm water and a soft cloth.
3. Repeatedly clean the water contacting inner parts, you can pull the Water drain pipe of the water tank indicating "H" in above illustration to drain the cleaned water in the water tank, then next to clean inner ice-storing cabinet, till all of inner parts are clean, then drain out all of the cleaned water from the water drain port located at unit back indicating "7" in above illustration. And must reinstall

back the water drain pipe of the water tank and the cap of the unit water drain port, otherwise, the unit will not make the ice normally. **And highly suggest that you should discard the ice-cubes made during the first ice-making cycle after cleaning.**

4. The outside of the ice maker should be cleaned regularly with a mild detergent solution and warm water.
5. Dry the interior and exterior with a clean soft cloth.

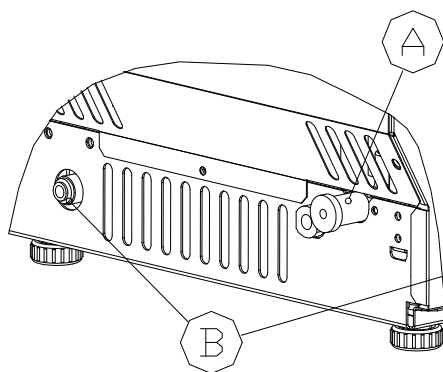
WATER CONNECTION FOR YOUR ICE MAKER

Important: Be sure to use the new hose-sets supplied with the appliance to connect to water mains and that old hose-sets should not be reused.

1、 Connect the water supplying hose to the unit

Step 1: First remove the tape on the water inlet port for water supply (indicated in the following illustration "B") located at unit back, then use your other hand's finger to press the out circle. Step 2: Insert the one end of the white water hose into the water inlet port, and push inward completely, and install back the clipper, then water hose connection is completed.

Unit Back View



STEP 1: Remove the tape first

Water inlet port on the unit back

Remove the clipper first

STEP 2: Insert the water hose

Then install back the clipper

White water hose (accessory)

First insert the water hose inward completely

2、 Connecting the water drain pipe

Pull out the water drainage cap with black color (indicated A in above illustration), then connect the white drainage pipe included in accessory, again connect the other end of this drainage to the main water drainage pipeline.

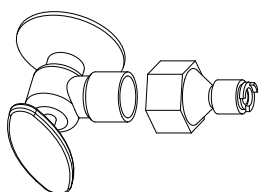
3. Connect the water hose to the water faucet of the water main supply system

First, install the supplied water quick-connector to the water faucet by screw thread; Second, remove the clipper from the water quick-connector, insert the another end of the water hose into this quick-connector port completely, then install back the clipper, also this step is completed.

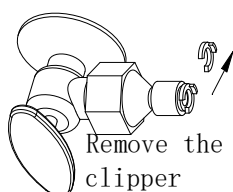
Note: The water faucet should be supplied by the customers' own.

Important: The water pressure of main water supply system must be 0.04-0.6 MPa at least.

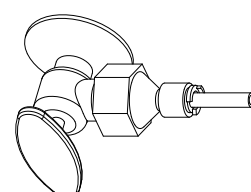
STEP 1: Quick-connector and the water faucet



STEP 2: Screw the quick-connector on the water faucet by the screw thread, and remove the clipper



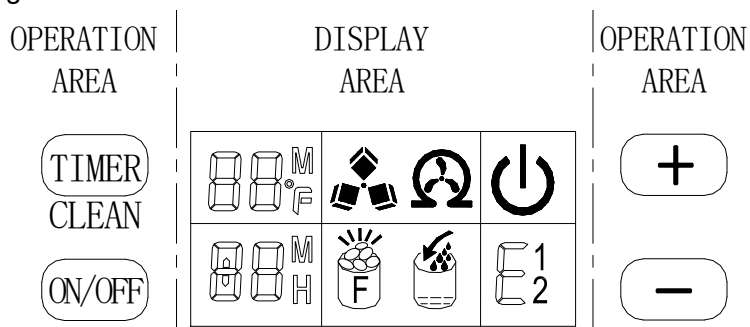
STEP 4: Install back the clipper




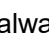





STEP 3: Insert the water hose completely

OPERATION YOUR UNIT

Operation button and display area diagram




The Ice-making Process

- Starting up :** Plug in the power plug, the  symbol will flash in the display screen, press the ON/OFF button on the control panel, and the machine will start to make ice when the external pipe adds water to reach the standard level on the water tank through the electromagnetic water valve, then the  symbol will change to light on always in the display screen and  symbol will rotate; The ambient temperature will be displayed in the upper left of the display screen, and “80F” means the ambient temperature is 80F, Several minutes later, the flashing numbers will be displayed in the ambient temperature display area, and the flashing number “10M” means it still needs 10 minutes to finish this ice making cycle.
- After every ice-making cycle is finished, it enters the deicing process, the  symbol flashes, the external pipe can add water to the water tank through the electromagnetic valve, and the arrow on the  symbol will flash until the water reaches the standard level. Then the  symbol extinguishes, and the unit enters the next ice-making cycle. When the water can not reach the standard level, the  symbol is always bright, and the unit stops working. When there is a water shortage, the unit needs to be restarted, otherwise it will start up automatically after 15 minutes.

Note: Each ice-making cycle is around 11-20 minutes, the ice-making time will be changed according to the ambient temperature and the water temperature. Especially the first time, the ice making cycle will be longer because of the high water temperature in the water tank. But the ice making cycle will not be over 30 minutes.

- Adjust the ice thickness:** Press the “+” 、 “-” button on the control panel to adjust the ice thickness; The number on the left bottom of the display panel is the setting of the ice-making time, the default is “0” , press “+” button one time the ice making time will add one minute, the ice will be thicker; Press the “-” button one time the ice making time will reduce one minute, the ice will be thinner. Restart the machine it will go back to the default “0” .

Note: The time currently set only changes the next ice-making cycle.

- When the  symbol lights up, the machine stop working, it will work again after taking out the ice.
- Shut down the unit:** While the unit is making ice, press the “ON/OFF” button on the control panel, the unit shuts down and will be in standby mode. If you press "ON/OFF" longer than 5s during

ice-making, then the unit enters the deicing process directly. This function can help remove the ice on the ice plate. Press "ON/OFF" to shut down the machine.

6. **Timing setting:** Setting range: 1-24 hours

Time shutdown: When the unit is running, it can set up the timing shutdown.

Time on: When the unit is in standby mode, you can set the unit with ON-TIMER.

How to set up the timing

Press the TIMER button, the default timing time is "1H" in the display panel, then press "+" button to adjust the timing time as you need. Every time you press the "+" button, the time adds 1 hour; Press "-" button can reduce the timing time. During the process of time adjustment, the "H" in the lower corner of the number will flash, then after 5 seconds of flashing without pressing, the "H" letter will change from flashing to constantly lighting, which means the timer program is completed. In standby condition, the displayed 5H means the unit will start automatically after 5 hours; In ice-making condition, the displayed 5H means the machine will shut down automatically after 5 hours, the "H" in the display screen indicates that the machine currently has timing function, and the number in front will be smaller and smaller. Until it becomes zero, the timing ends, and the machine enters the mode you need.


How to cancel timing

When the unit has a timing (the display screen will display XX H), press the "TIMER" button, the timing is canceled after the number on the screen and "H" are extinguished.

When the unit has a timing, the display area in the lower-left corner will display the timing time and the ice-making setting time, and the display content will be switched every 5s.

7. **Automatic self-cleaning program, the default cleaning time is 20 minutes.**

Start the self-cleaning program:

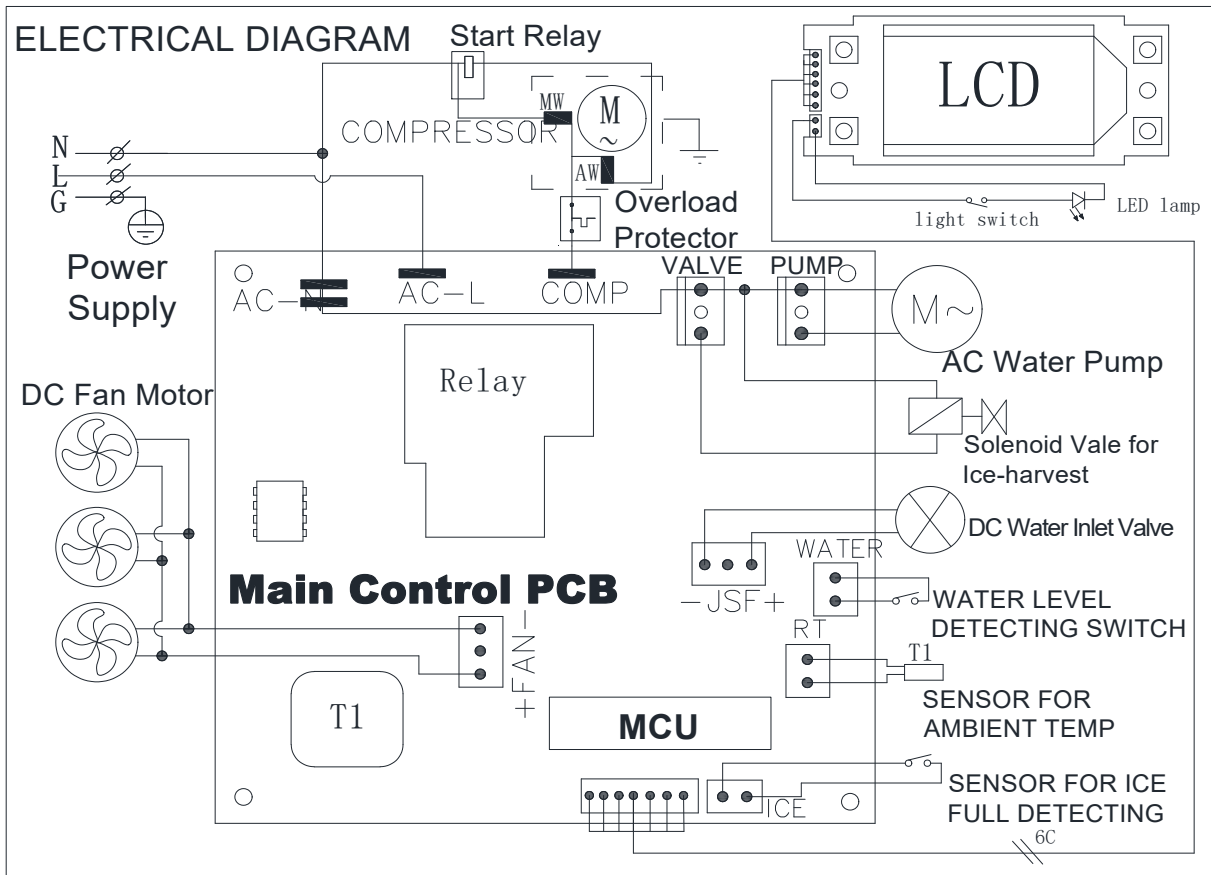
After connecting all of the water pipes, plug on the main power supply plug, then press the "TIMER CLEAN" button on the control panel for more than 5 seconds to enter the self-cleaning program. The symbol  will rotate on the display screens, and time count down area displays 20M. The "CLEAN" light will always be on during this period, the digit window will indicate the left time. The water pump runs for 8 minutes and stops for 3 minutes, are constantly recycle. The total duration time is 20 minutes for one self-cleaning program. Also, when the water pump stops, the water will supply to the water tank automatically.

Cancel the self-cleaning program: It takes about 20 minutes to complete one self-cleaning program. When the program is over, the system will be off-state automatically. And also you can press the "ON/OFF" button on the control panel to cancel the self-cleaning program by force.

8. **How to switch Fahrenheit(° F) to Celsius(° c)?**

Press "+" or "-" button longer than 5s, it will automatically switch.

WIRING DIAGRAM



Normal Sounds

Your new ice maker may make some sounds that are not familiar to you. Most of the new sounds are normal. Hard surfaces like the floor, walls and cabinets can make the sounds seem louder than usual. The following describes some kinds of sounds that might be strange to you and the reasons causing them.

- You will hear a swooshing sound when the water valve opens to fill the water tank for each cycle.
- Rattling noises may come from the flow of the refrigerant or the water in the water line. Items stored on top of the ice maker can also make noises.
- The high-efficiency compressor may make a pulsating or high-pitched sound.
- Water running from the water tank to the evaporator plate may make a splashing sound.
- Water running from the evaporator to the water tank may make a splashing sound.
- As each cycle ends, you may hear a gurgling sound due to the refrigerant flowing in your ice maker.
- You may hear air being forced over the condenser by the condenser fan. During the harvest cycle, you may hear the sound of ice cubes falling into the ice storage bin.

Preparing the Ice Maker for Long Storage

If the ice maker will not be used for a long time, or is to be moved to another place, it will be necessary to drain out all of the water in the system.

1. Allow all of the ice cubes have been ejected from the evaporator of the ice maker.
2. Turn off the unit, and unplug the power cord.
3. Shut off the water supply at the main water supply.
4. Disconnect the water supply hose from the water inlet valve.
5. Pull out the Water drain pipe of the water tank indicating "H" in the above illustration to drain out the water in the water tank. When all of the water has been drained out, reinstall back the water drain pipe of the water tank.
6. Then drain out all of the water from the water drain port located at unit back indicating "7" in the above illustration.
7. Disconnect the water drain pipe to the main drain pipeline or floor drain, and plug on the drain cap again.
8. Drop the door open to allow for circulation and prevent mold and mildew.
9. Leave water supply hose and the power cord disconnected until reuse.
10. Dry the interior & wipe the outside of the unit.
11. Put a plastic bag on the unit to resist dust & dirt.

CLEANING & MAINTENANCE

WARNING: Before carrying out any cleaning or maintenance operations, unplug the ice maker from the main power supply electricity. (EXCEPTION: Ice maker self-cleaning program).

Do not use any alcohol or fume for cleaning/sanitization of the ice maker. It may cause cracks on the plastic parts.

Ask a trained service person to check and clean the condenser at least once a year, in order to let the unit work properly.

This appliance must be cleaned by use of a water jet.

CAUTION

If the ice maker has been left unused for a long time, before the next use it must be thoroughly cleaned. Follow carefully any instructions provided for cleaning or use of sanitizing solution. Do not leave any solution inside the ice maker after cleaning.

Periodic cleaning and proper maintenance will ensure efficiency, top performance, hygienic, and long life. The maintenance intervals listed are based on normal conditions. You may want to shorten the intervals if you have pets, or the unit is used outdoors, or there are other special considerations.

What shouldn't be done

Never keep anything other than the ice in the ice storage bin: objects like wine and beer bottles are not only unsanitary, but also their labels may slip off and obstruct the drain pipe.

Exterior Cleaning

The door and cabinet may be cleaned with a mild detergent and warm water solution such as 28g of dish washing liquid mixed with 7.5L of warm water. Do not use solvent-based or abrasive cleaners. Use a soft sponge and rinse with clean water. Wipe with a soft clean towel to prevent water spots.

Stainless steel models can be discolored when exposed to chlorine gas and should be cleaned. Clean stainless steel models with a mild detergent and warm water solution and a damp cloth. Never use abrasive cleaning agents.

NOTICE: *Stainless steel models exposed to chlorine gas and moisture, such as in areas with spas or swimming pools, may have some discoloration of stainless steel. Discoloration from chlorine gas is normal.*

Interior Cleaning

For Ice Storage Bin

The ice storage bin should be sanitized occasionally. Clean the bin before the ice maker is used for the first time and reused after stopping for an extended period of time. It is usually convenient to sanitize the bin after the ice making system has been cleaned, and the storage bin is empty.

1. Disconnect power to the unit.
2. Open the door and with a clean cloth, wipe down the interior with a sanitizing solution made of 28g of household bleach or chlorine and 7.5L of hot water(95°F to 115°F) .
3. Rinse thoroughly with clear water. The waste water will be drained out through the drain pipe.
4. Reconnect power to the unit.

The ice scoop should be washed regularly. Wash it just like any other food container.

WARNING

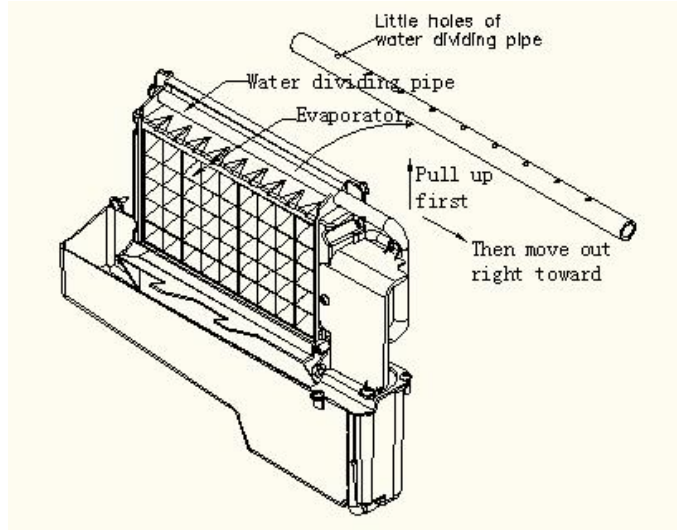
DO NOT use solvent cleaning agents or abrasives on the interior. These cleaners may transmit the taste of the ice cubes, damage or discolor the interior.

Ice Making Parts Cleaning

During the use, clean these main systems of your ice-maker periodically.

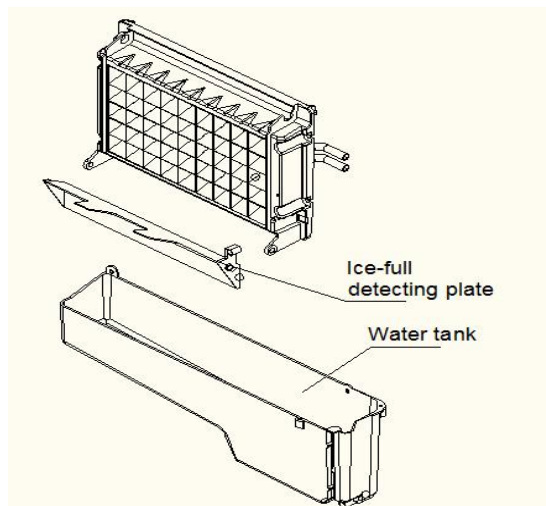
1. Repeat the above steps to clean the water tank and other inner parts of the unit.
2. Especially for the water dividing pipe on the evaporator, if the compressor and the water pump run normally, but there is no water flowing out from the water dividing pipe or the water flowing is very small, please discharge this water dividing pipe and clean it carefully. Clean each little hole on the water dividing pipe displayed in the following illustration, make sure each hole is not clogged by something, then install it back to the original location.

- 3、 When there are ice cubes on the surface of the evaporator, but can't fall down easily, do not use the mechanical substance to remove them by force; Only press the "ON/OFF" button for more than 5 seconds, and the unit will enter the ice melting process, after some while, the big ice-cubes will fall down, then turn off the unit and unplug the power cord to clean the surface of the evaporator.



4. For the water tank and ice-full detecting plate

Also, the water tank and the ice-full detecting plate are very important to keep your ice cube hygienic. Put the mixture of neutral cleaner & water into a clean water jet, then spray all the inner surface of the tank & the ice detecting plate. Wipe these surfaces as clean as possible with a clean cloth. And then, spray the surfaces with clean water, wiping with a dry clean cloth. Then drain out the cleaned water in the water tank by pulling out the Water drain pipe of the water tank indicating "H" in the above illustration. When all of the cleaned water has been drained out, reinstall back the water drain pipe of the water tank.



Suggestion: After cleaning the interior parts, install them back to their respective position, then make the machine return to work, and discard the first batch of ice.

Ice Making Assembly System Cleaning

Minerals that are removed from water during the freezing cycle will eventually form a hard scaly deposit in the water system. Cleaning the system regularly helps remove the mineral scale buildup. How often you need to clean the system depends upon how hard your water is. With hard water of 4 to 5 grains/liter, you may need to clean the system as often as every 6 months.

5. Turn off the ice maker. Keep the ice maker connected to the water supply and drain pipe. But shut off the water faucet of the main water supply.
6. Open the door and scoop out all of the ice cubes. Either discard them or save them in an ice chest or cooler.
7. Making the cleaning solution. Please mix the Nu-Calgon Nickle Safe Ice Machine Cleaner with water to make the cleaning solution.

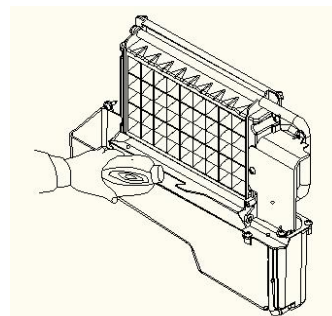


WARNING

Wear rubber gloves and safety goggles (and/or face shield) when handling Ice Machine Cleaner or sanitizer.

Use a plastic or stainless container with more than 4 liters capacity, mix 300 ml Nu-Calgon Nickle Safe Ice-machine Cleaner with 2.8 liters warm water about 120°F-140°F, Then divide them for 2 shares equally in 2 cups. It is better to keep the temperature of each cup of the cleaning solution.

1. Check to be sure that the water drain pipe of the water tank has been installed properly in the slot of the tank wall. Then pour one cup of Nickel-Safe Ice Maker Cleaning Solution into the water tank. Wait about for 5 minutes.



2. Turn on the power to the ice maker, then press "TIMER CLEAN" button on control panel for more than 5 seconds, to enter the self-Cleaning program. Same as above explanation, the water pump runs for 8 minutes and stops for 3 minutes, one cycle, again one cycle. The total duration time is 30 minutes for one self-cleaning program.
During this process, the "CLEAN" light will always be on during this period, and the digit window will indicate the left time,
3. After 30 minutes of one self-cleaning program completing, pull out the drain pipe of the water tank, drain the cleaning solution down to the lower ice storage bin. Shake the unit slightly to drain out all of the cleaning solution completely. Then install back the drain pipe to the slot of the water tank.
4. Repeat steps 4--6 to clean the ice making assembly system again.

WARNING

The ice machine cleaner contains acids.

DO NOT use or mix with any other solvent-based cleaner products.

Use rubber gloves to protect hands. Carefully read the material safety instructions on the container of the ice machine cleaner.

5. Then open the water faucet of the main water supply, let the water flow in the unit. Again press the “TIMER CLEAN” button on the control panel for more than 5 seconds, to enter the Self-Cleaning program. Same as the above explanation, the water pump runs for 8 minutes and stops for 3 minutes, one cycle after one cycle. The total duration time is 30 minutes for one self-cleaning program. During this process, the “CLEAN” light will always be on, and the digit panel will indicate the left time. Through this process, It will rinse the water dividing pipe, evaporator, water pump, silicone pipe, water tank, etc.
6. After one self-cleaning program is complete, then pull out the drain pipe of the water tank, drain the cleaning solution down to the lower ice storage bin, also shake the unit slightly to drain out all of the water completely. Then install back the drain pipe to the water tank slot tightly.
7. Repeat the step 8-9 again 2 times.
8. Following the above program to clean the ice storage bin.
9. After this special cleaning program is finished, you can return to the regular ice-making mode. And suggest discarding the first batch of ice cubes.

Cleaning Suggestion

1) DAILY CLEANING

The ice shovel, door, and the water dividing pipe should be cleaned by yourself each day. At the end of every day, rinse the ice shovel and wipe both sides of the door with a clean cloth.




2) SEMI-MONTHLY CLEANING

The ice shovel, ice bin, water tank, the ice-full detecting plate, and the surface of the evaporator are to be cleaned by yourself semi-monthly according to the interior cleaning program.

3) SEMI-ANNUAL CLEANING

All the components & surfaces exposed to water or ice cubes, like ice storage bin, water tank, door, evaporator, water pump, silicone tube, water dividing pipe, etc. should be cleaned **by Using Nu-Calgon Nickle Safe Ice-machine Cleaner** every 6 months. They should be cleaned by the serviceman according to ice making assembly system cleaning program.

NORMAL TROUBLE SHOOTING

Problem	Possible Cause	Solution
 " " indicator is on.	No water supply	Check the main water supply pressure or check whether the water supply hose is blocked or not, adding the water pressure or cleaning the hose necessary.
	The floating ball of the water level detecting switch is blocked, and can't be raised up.	Clean the water tank and the water level detecting switch.
	Water flows out from the water tank	Place the unit on the level position, not on the slope.
	Water flows out from the water drain pipe of the water tank.	Pull out the pipe and install it back to the slot of the water tank properly.
The unit start to enter the ice making process, but no water flowing in the unit, and the  indicator flashes	Water supplying hose breakdown, or water flows in very slowly.	Check the main water supply pressure or check whether the water supply hose is blocked or not, adding the water pressure or cleaning the hose necessary.
Water pump is working, but no water flow out from the water dividing pipe	The little holes on the water dividing pipe are blocked.	Clean these little holes.
The transparency of the ice cube is not very good	Water quality is bad.	Change the water supply, or use the water filter to soften or filter the water.
Ice cube shape is irregular	Water quality is not good or the water tank is very dirty.	Clean the water tank, and change with new water.
	The little holes on the water dividing pipe are some blocked	Clean the water dividing pipe, and make sure all nine holes are unclogged
Ice cube is very thin	The ambient temperature is too high.	Move the unit to low-temperature space, or lengthen the time of each ice-making cycle.
	Air circulation around the unit is not good.	Make sure there is more than 20CM space between the unit back & front and the obstacle
Ice cube is too thick	The ambient temperature is too low	Reduce the time of each ice-making cycle.
 " " indicator is on	The ice storage bin is full of ice cubes.	Take out some ice cube
Ice making cycle is normal, but there is no ice cube produced	The temperature of ambient or the water in water tank is too high	Move to the place with a temperature lower than 90Fahrenheit, and change to the low-temperature water
	Refrigerant leakage	Need the technical serviceman to maintain
	The cooling system tube is clogged	Need the technical service person to maintain

ERROR INDICATOR

- a) Ambient temp sensor breakdown----- Display E1 in the digital panel.
- b) The machine does not make ice or the gas leak ----Display E2 in the digital panel.
- c) Magnetic control switch cut off---- “Full” light will be on when plugging on or just turning on the unit. And it will delete the breakdown display if this switch is electrically shorted.
- d) During the ice-making process, press the “ON/OFF” button for more than 5 seconds, and the unit starts to enter the ice harvest program. And after the ice-harvest program, it continues to enter the ice-making process.

Correct Disposal of this product



This marking indicates that this product should not be disposed of with other household wastes throughout the EU. To prevent possible harm to the environment or human health from uncontrolled waste disposal, recycle it responsibly to promote the sustainable reuse of material resources. To return your used device, please use the return and collection systems or contact the retailer where the product was purchased. They can take this product for environmental safe recycling.

Thank you for purchasing this product! If you have any questions about the product, such as missing parts, damaged products, product assembling, and operation, please contact us via **Amazon Message** or customer service number: **213-4467172 or 661-4358826**.

IMPORTANT

Please call our customer service department for any consulting:

213-4467172

661-4358826

(8:30am - 5:30pm P.S.T.)

DATED PROOF OF PURCHASE IS REQUIRED FOR WARRANTY SERVICE.

AVIS

Veillez appeler le service à la clientèle pour toutes questions au:

213-4467172

661-4358826

(8:30am - 5:30pm P.S.T.)

PREUVE D'ACHAT ORIGINALE REQUISE POUR SERVICE DE GARANTIE.

IMPORTANTE

Sólo hay que llamar nuestro departamento de servicio al cliente en caso de tener preguntas o inquietudes:

213-4467172

661-4358826

(8:30am - 5:30pm P.S.T.)

SE REQUIERE PRUEBA DE COMPRA CON FECHA PARA SERVICIO BAJO GARANTÍA.

**Address: ROWAN ELECTRIC APPLIANCE LLC
28407 Ascent Way, Santa Clarita, CA 91350
Phone: 213-4467172 or 661-4358826**