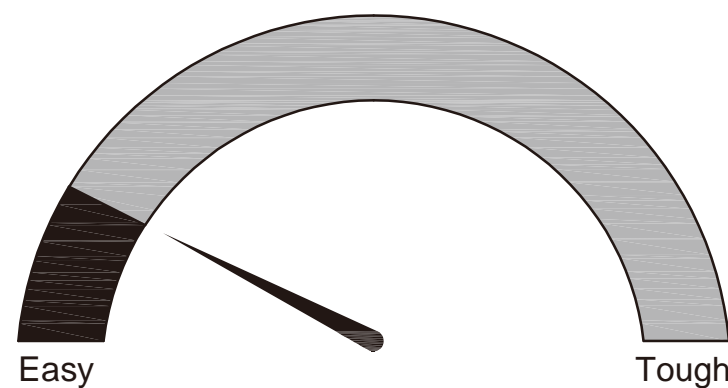


THIS INSTRUCTION BOOKLET CONTAINS IMPORTANT SAFETY INFORMATION. PLEASE READ AND KEEP FOR FUTURE REFERENCE.



## **WARNING**

- Unit can tip over causing severe injury or death.
- Anchor unit to stud in wall (if instructed to).
- Do Not allow children to climb on unit.
- Put heavy items on lower shelves or drawers.



Assembly Difficulty Meter

# Helpful Hints

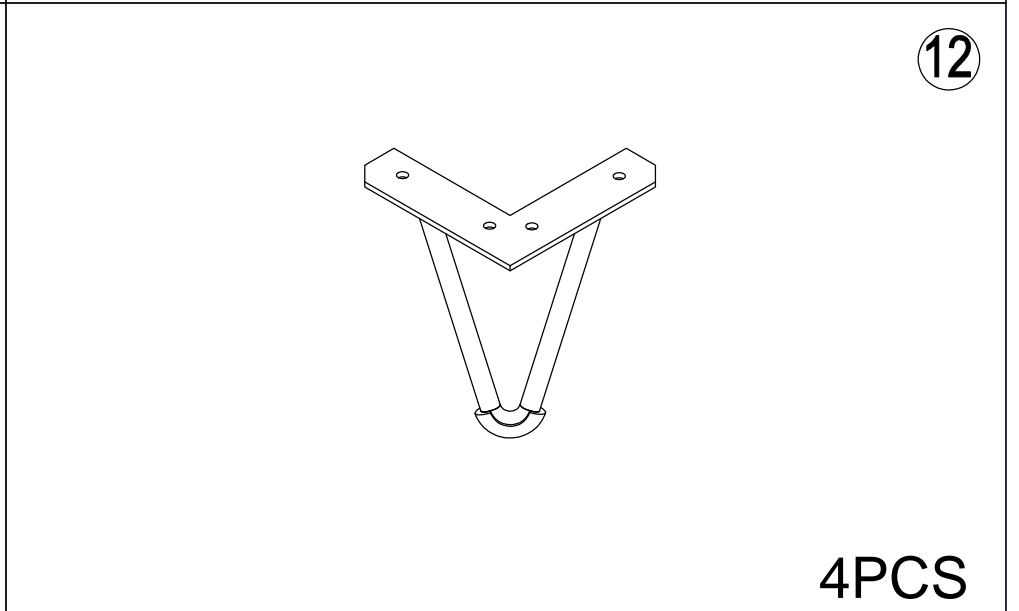
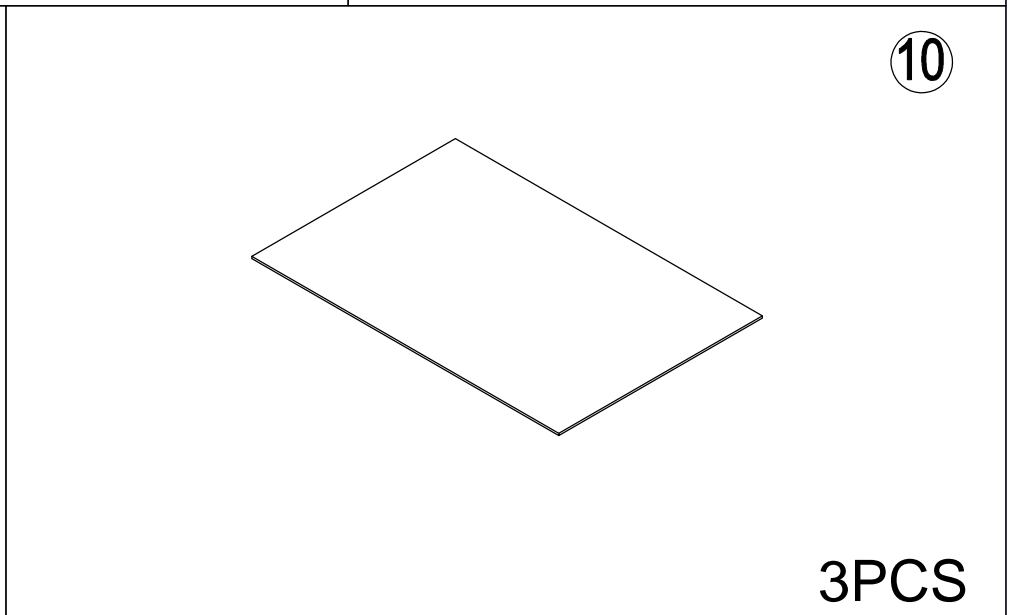
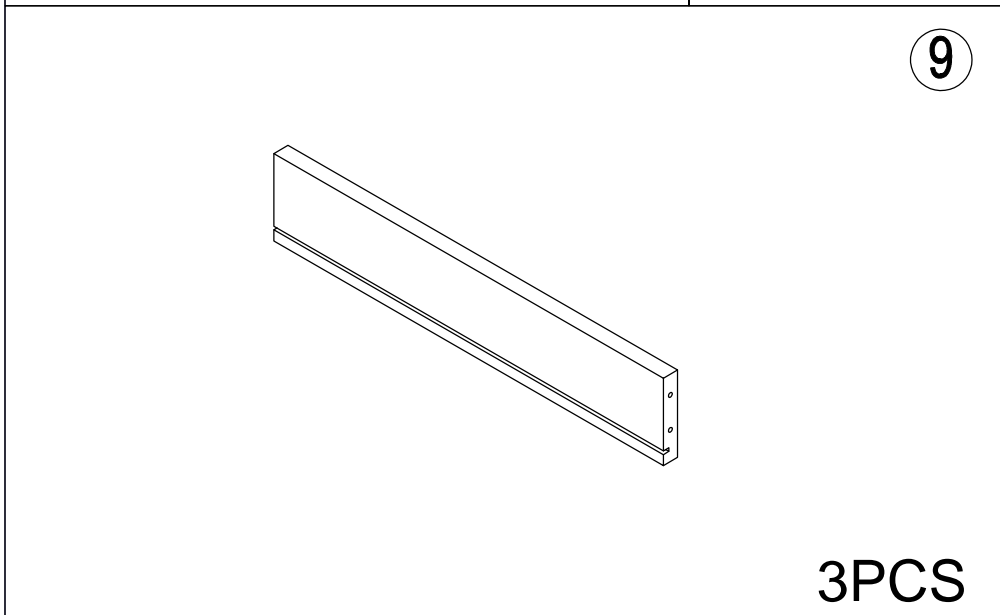
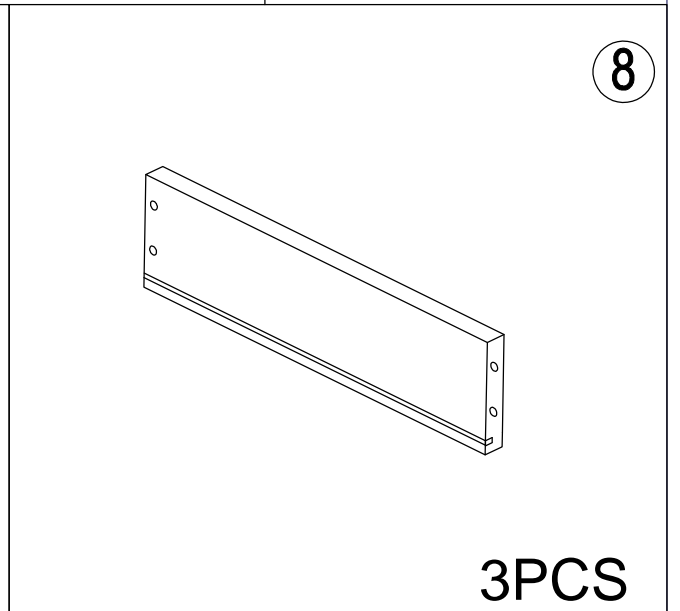
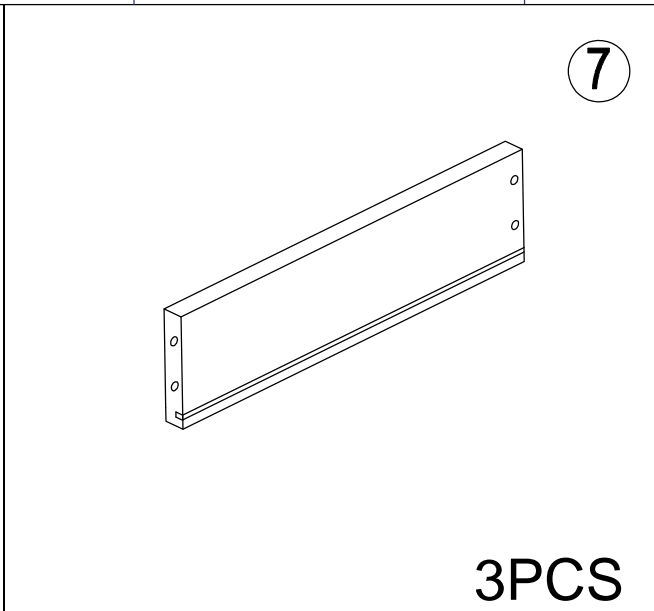
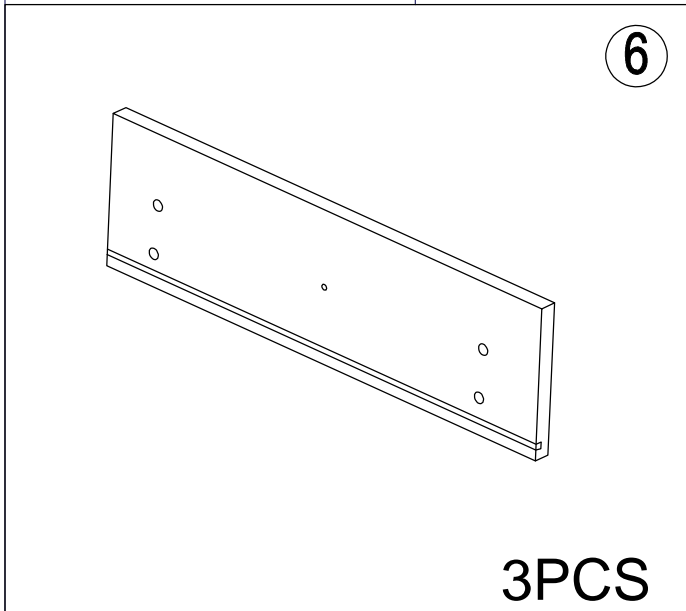
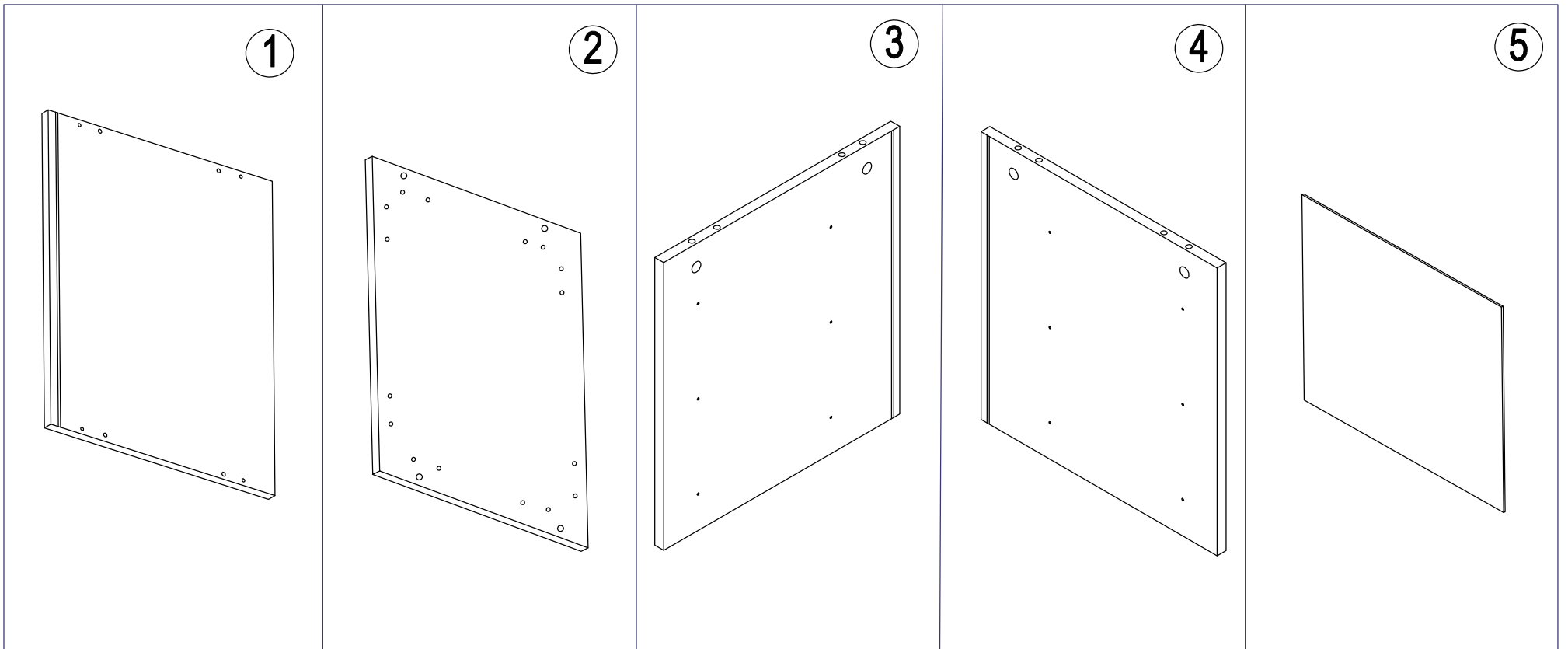
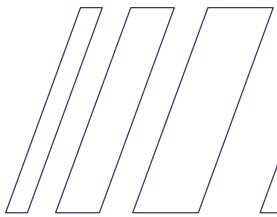
PEOPLE NEEDED FOR ASSEMBLY: 1 - 2  
ESTIMATED ASSEMBLY TIME: 1 HOUR

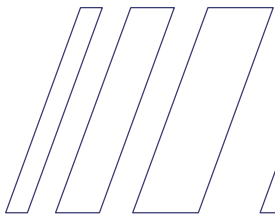
- Open your item in the area you plan to keep it to avoid excessive heavy lifting.
- Identify, sort and count the parts before attempting assembly.
- Compression dowels are lightly tapped in with a hammer.
- Slides are labeled with a R (right) and L (left) for proper placement.
- Make sure to always face the point on the top of the Cam Lock towards the outer edge.
- Use all the nails provided for the back panel and spread them out equally.
- Back panel must be used to make sure your unit is sturdy.
- Do NOT use harsh chemicals or abrasive cleaners on this item.
- Never push, pull, or drag your furniture.

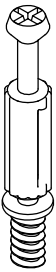

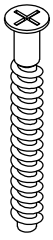
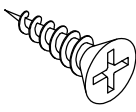
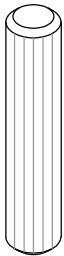
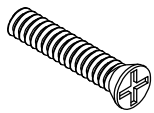
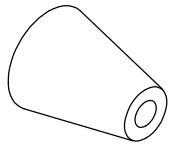
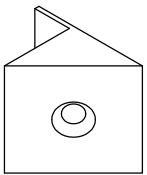
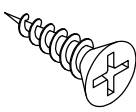
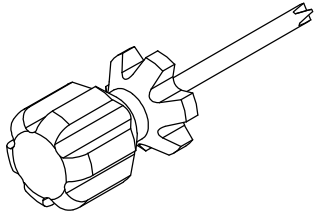


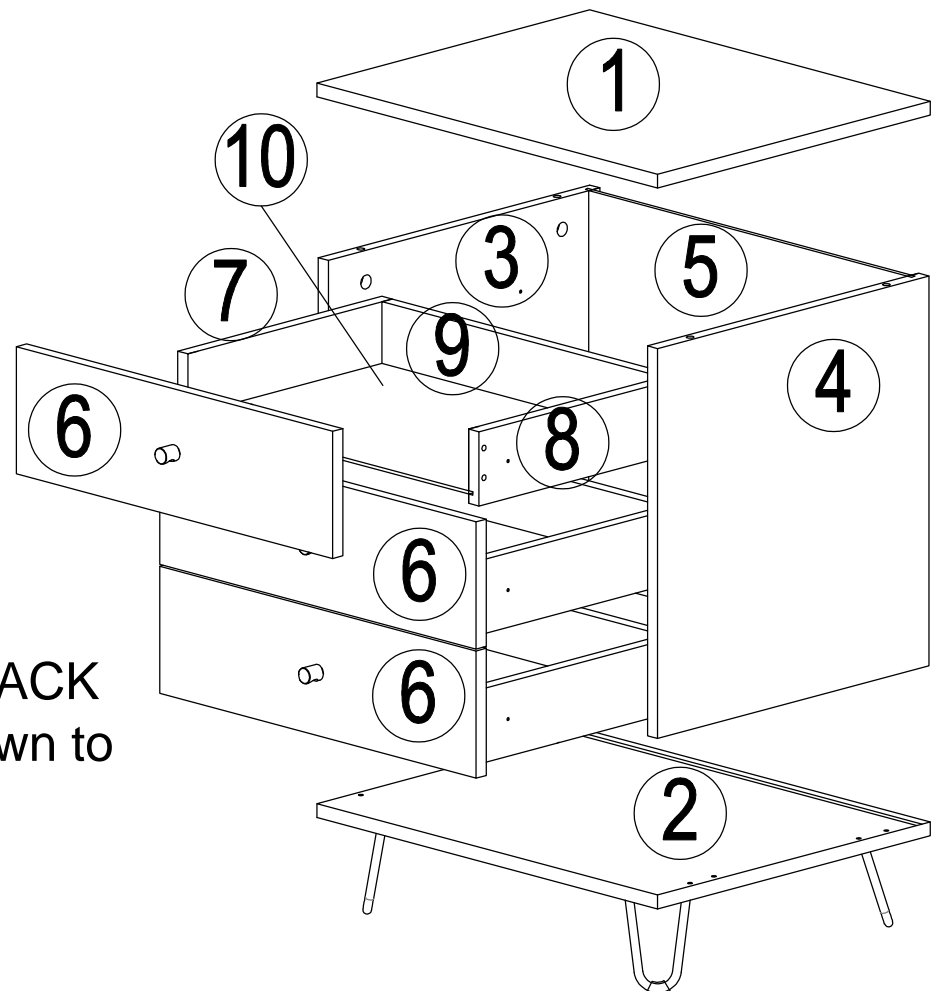
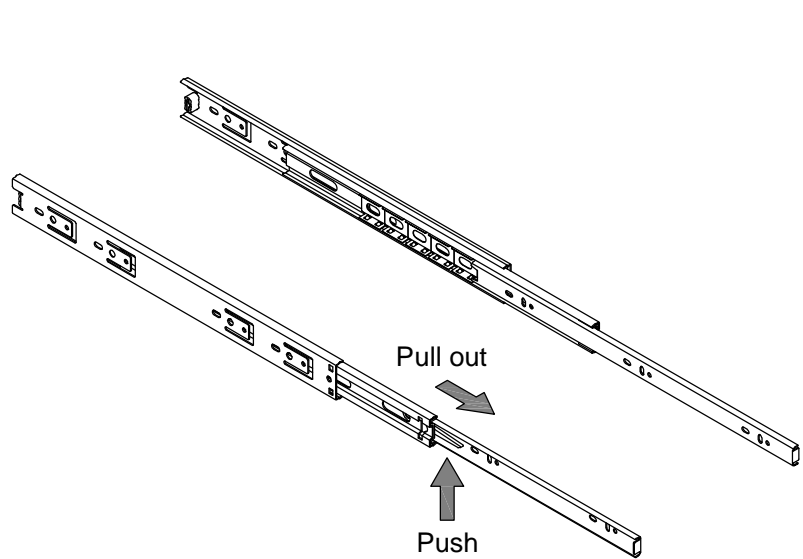
## Before You Start

- Read through each step carefully and follow the proper order
- Separate and count all your parts and hardware
- Give yourself enough room for the assembly process
- Have the following tools: Hammer
- Caution: If using a power drill or power screwdriver for screwing, please be aware to slow down and stop when screw is tight. Failure to do so may result in stripping the screw.

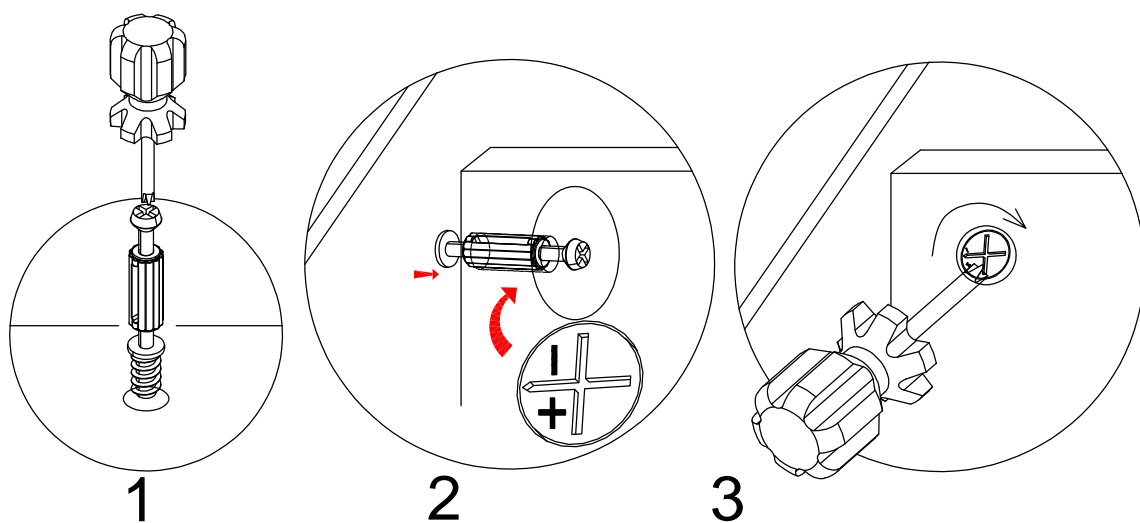




A M5x45  16 PCS+1	B Ø15x10  16 PCS+1	C M5x40  16 PCS+1	D M3.5x12  24 PCS+2	E Ø8x40  8 PCS+1
F M4x18  3 PCS	G  3 PCS	H  4 PCS+1	I M3.5x14  20 PCS+2	 1 PCS



Disconnect the keyboard rail with the BLACK PLASTIC PART. It needs to be pulled down to disconnect the runners.

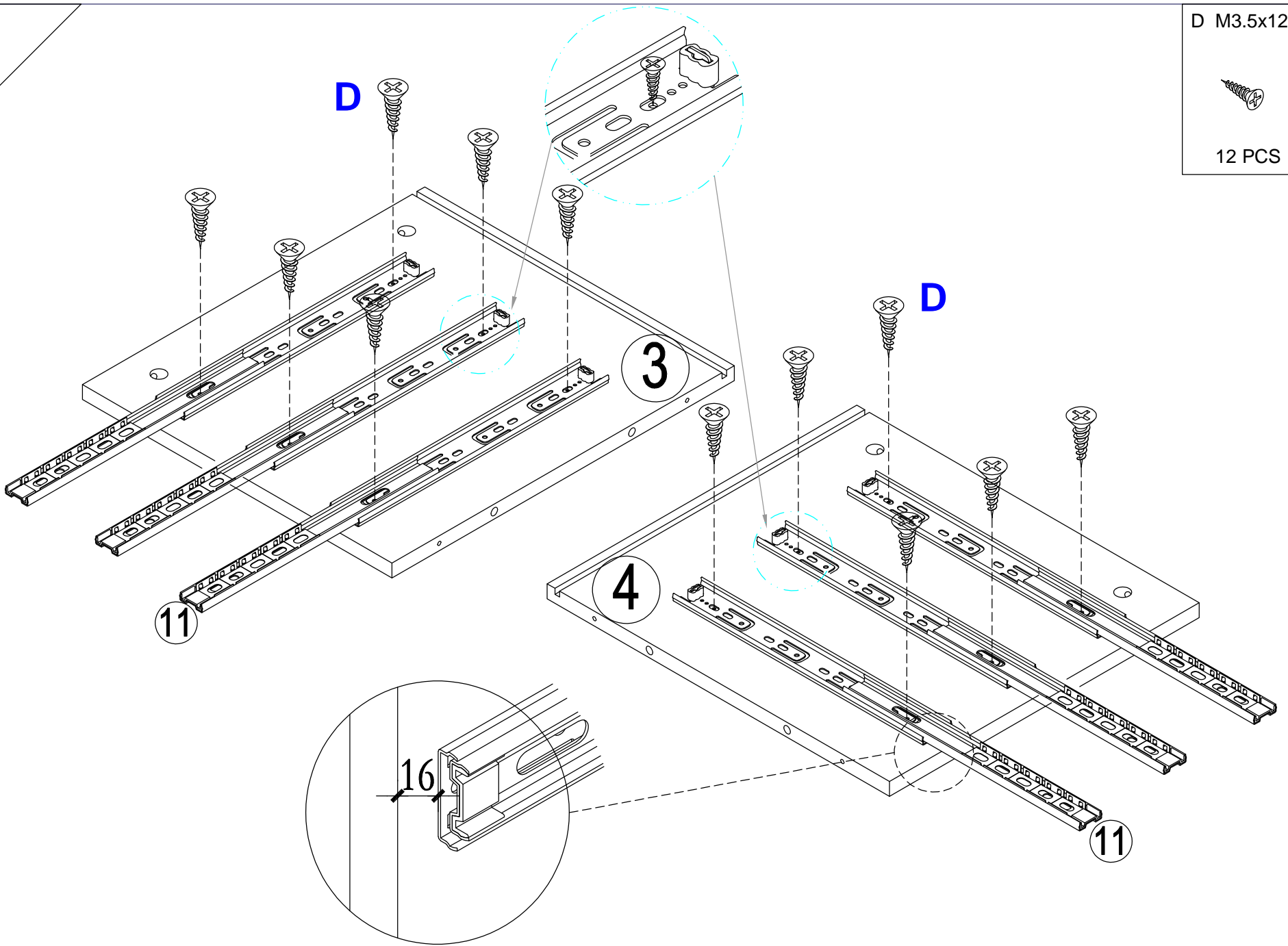


1

D M3.5x12



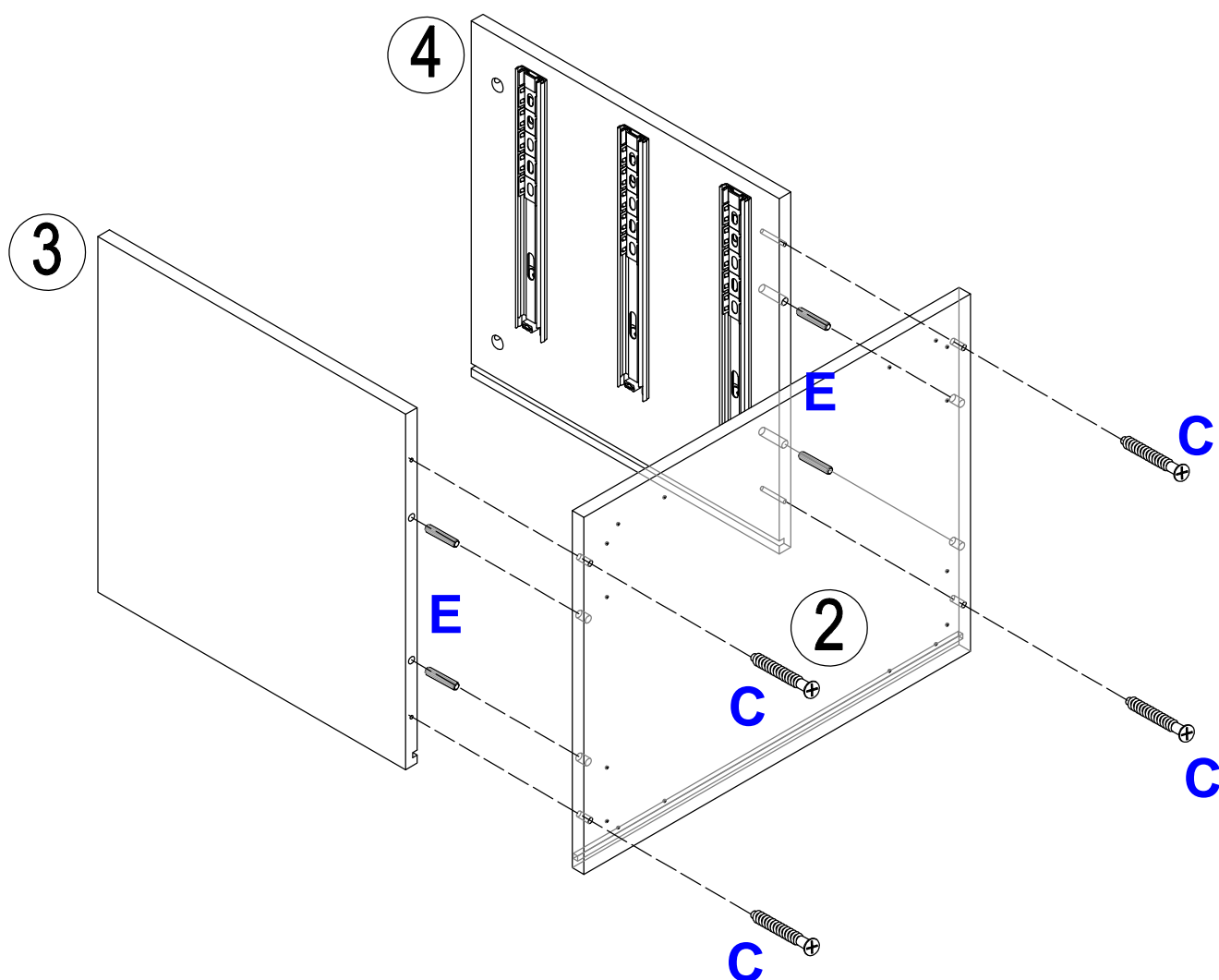
12 PCS



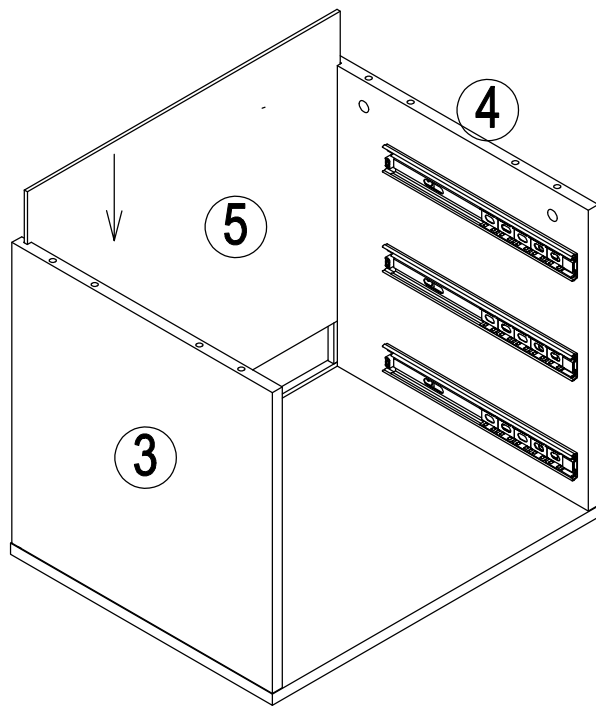
2

C M5x40  
4 PCS

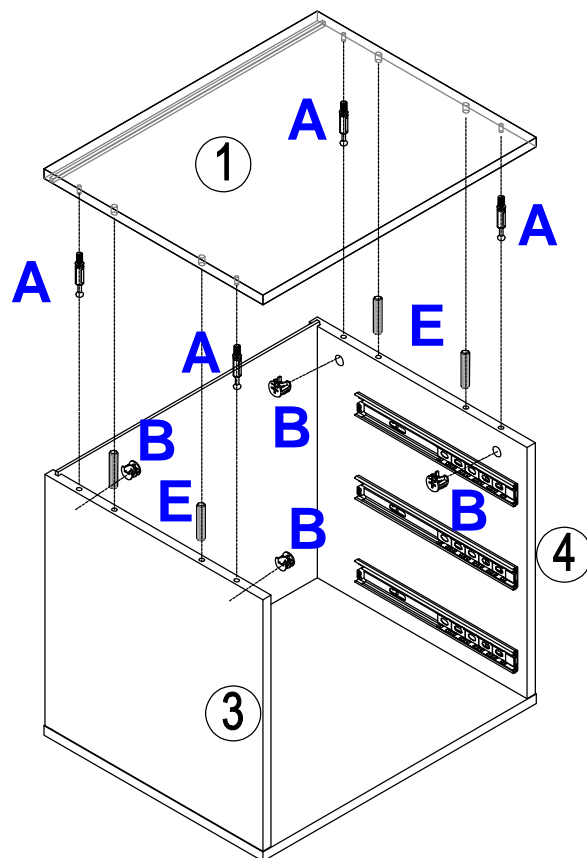
E Ø8x40  
4 PCS






3

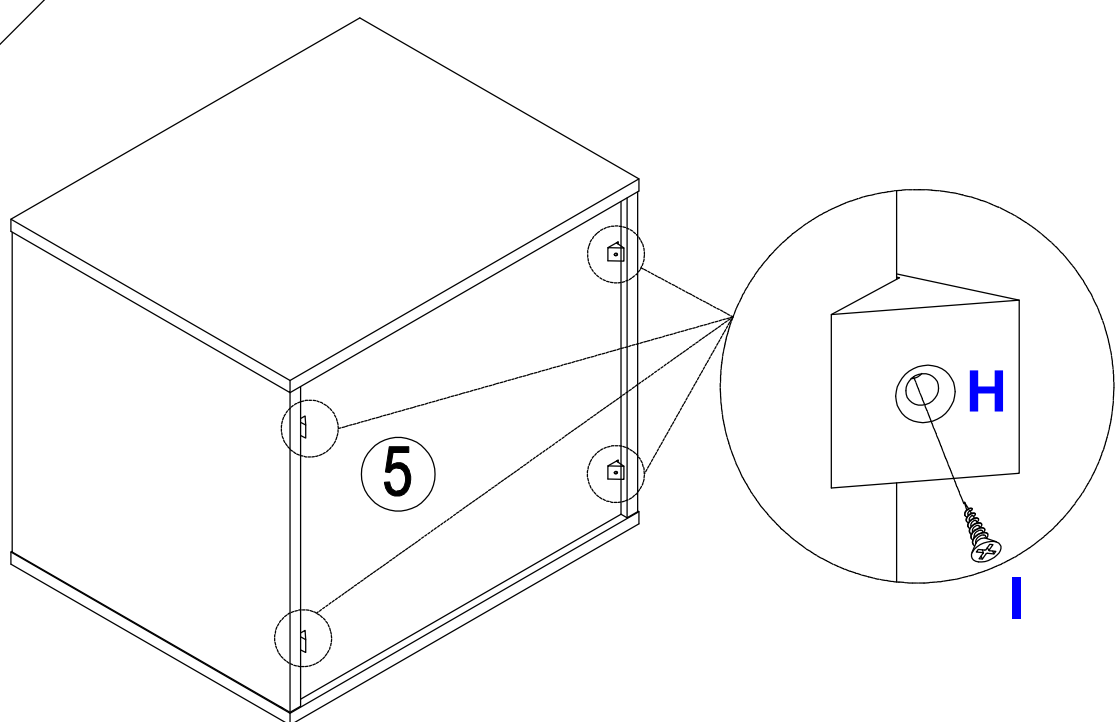




4



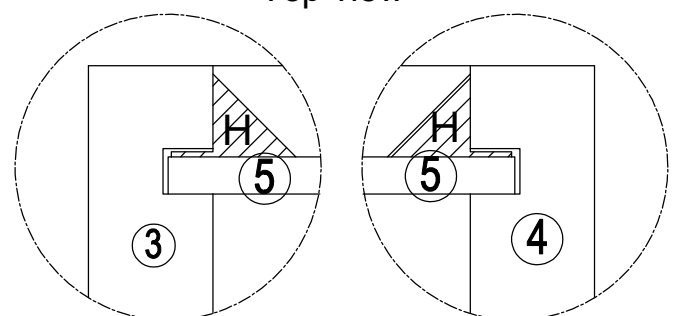
<p>A M5x45</p>  <p>4 PCS</p>	<p>B Ø15x10</p>  <p>4 PCS</p>
<p>E Ø8x40</p>  <p>4 PCS</p>	

5



<p>I M3.5x14</p>  <p>4 PCS</p>	<p>H</p>  <p>4 PCS</p>
---	---

Top view

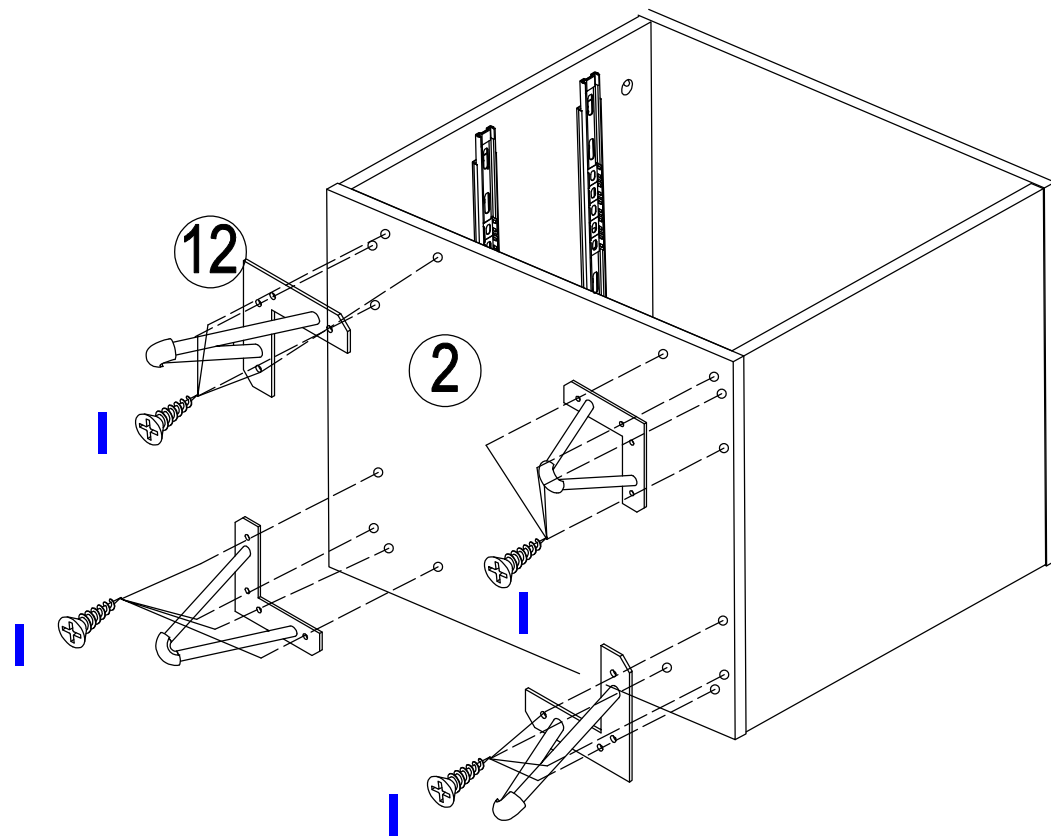


6

I M3.5x14

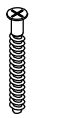


16 PCS

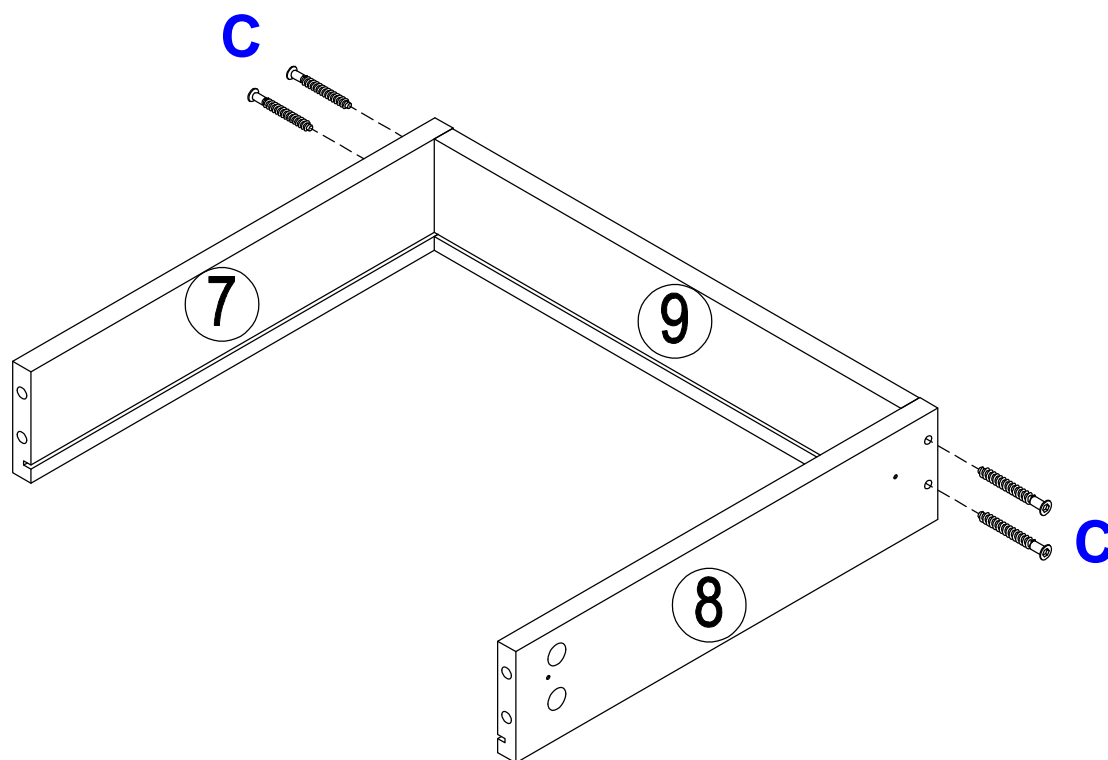


7

C M5x40

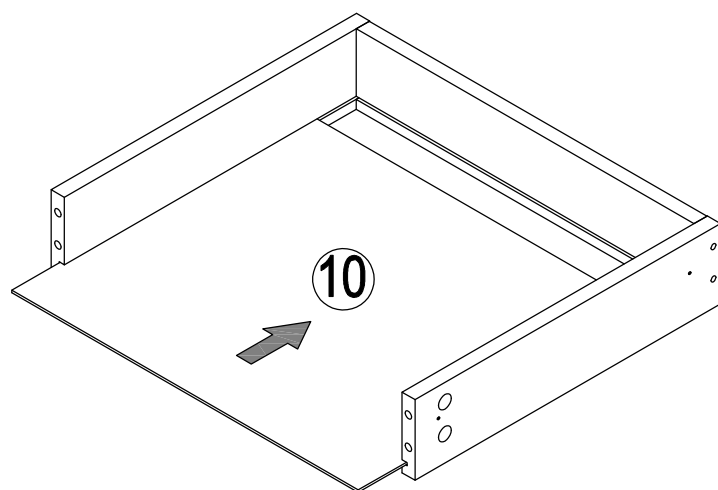


12 PCS



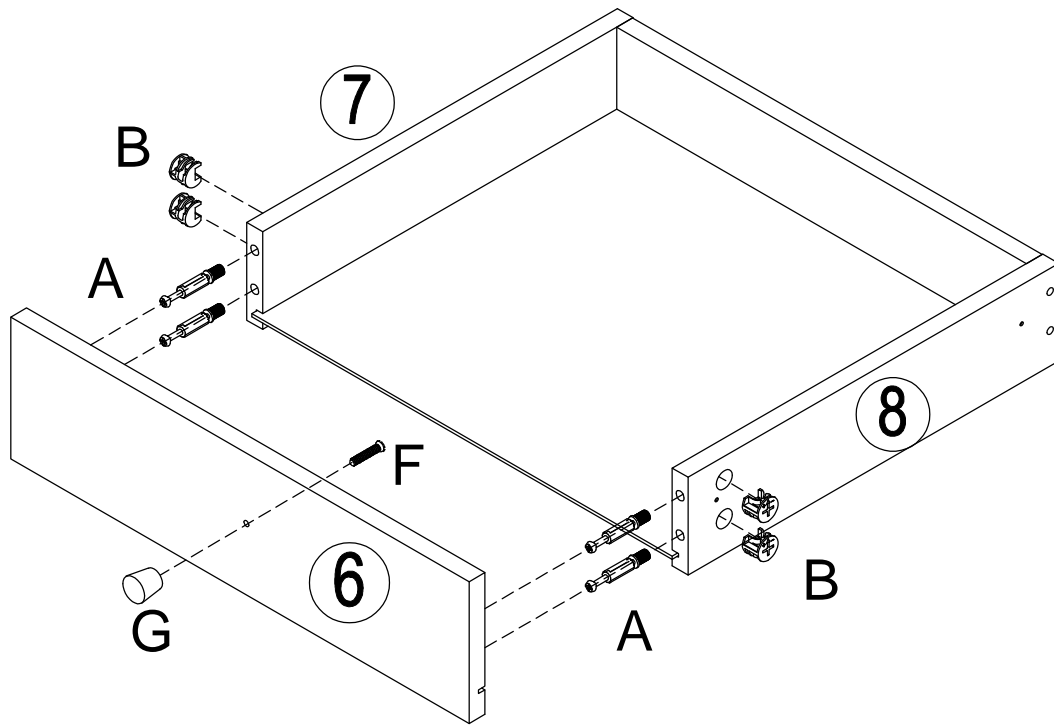
X3





8



X3

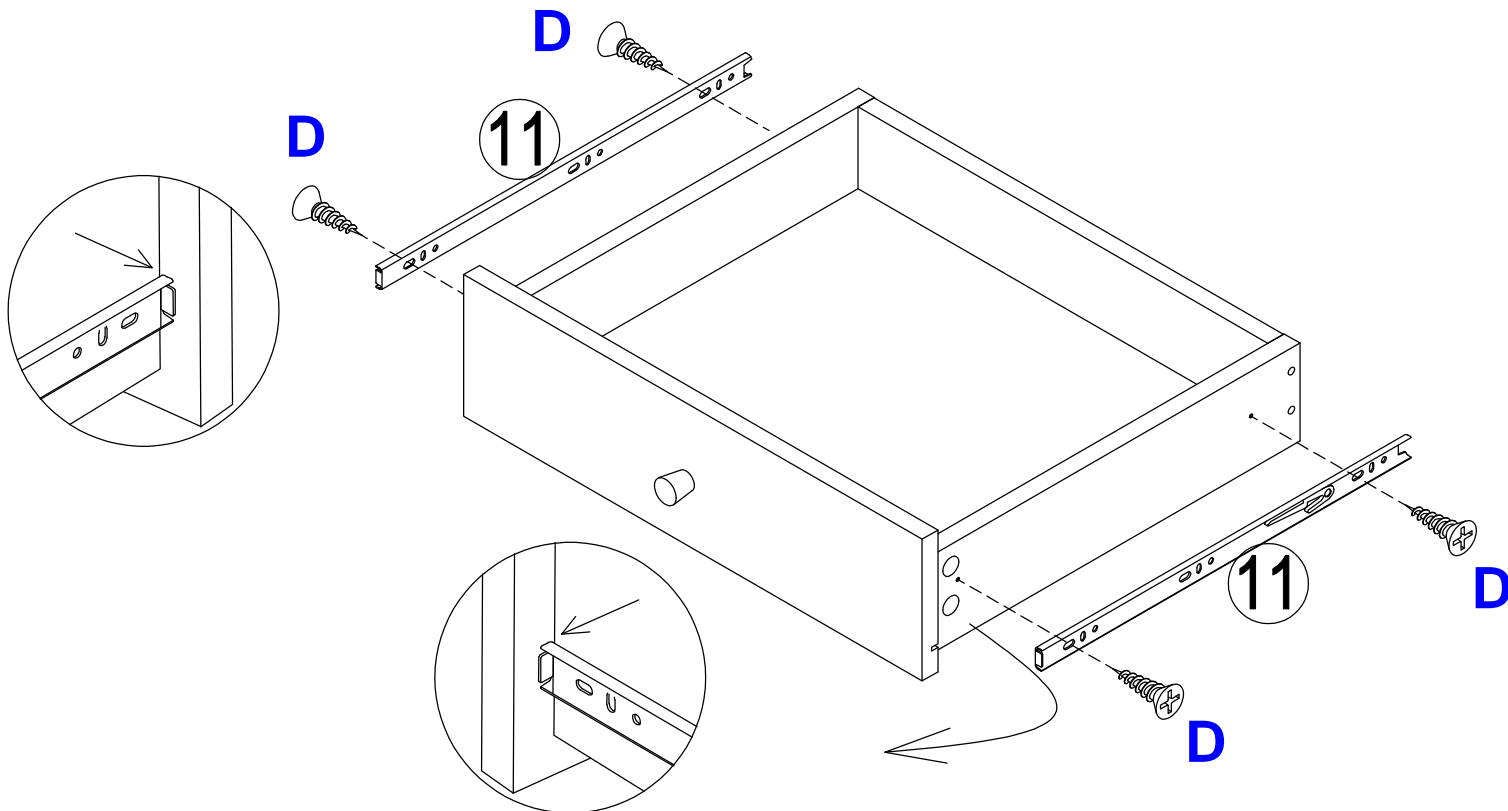
9



A M5x45  12 PCS	B Ø15x10  12 PCS
F M4x18  3 PCS	G  3 PCS

X3

10



D M3.5x12  12 PCS
--

X3

11

